

by **netvue**

 **coopcam**

Quick Guide

Warning

NOTE: This equipment has been tested and found to comply with the limits for a Class B digital device, pursuant to part 15 of the FCC Rules. These limits are designed to provide reasonable protection against harmful interference in a residential installation. This equipment generates uses and can radiate radio frequency energy and, if not installed and used in accordance with the instructions, may cause harmful interference to radio communications. However, there is no guarantee that interference will not occur in a particular installation. If this equipment does cause harmful interference to radio or television reception, which can be determined by turning the equipment off and on, the user is encouraged to try to correct the interference by one or more of the following measures:

- Reorient or relocate the receiving antenna.
- Increase the separation between the equipment and receiver.
- Connect the equipment into an outlet on a circuit different from that to which the receiver is connected.
- Consult the dealer or an experienced radio/TV technician for help.

The antennas used for this transmitter must be installed to provide a separation distance of at least 20 cm from all persons and must not be co-located for operating in conjunction with any other antenna or transmitter.

FCC (USA) 15.9 prohibition against eavesdropping except for the operations of law enforcement officers conducted under lawful authority, no person shall use, either directly or indirectly, a device operated pursuant to the provision

of this part for the purpose of overhearing or recording the private conversations of others unless such use is authorized by all parties engaging in the conversation. Changes or modifications not expressly approved by the party responsible for compliance could void the user's authority to operate the equipment.

FCC ID: 2AXBN-GC7

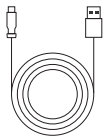
Mode: GC7

Manufactured in P.R.C.

Contents

1. What's In The Box	1-2
2. Camera Components	3-4
3. Using Micro SD Card	5-6
4. Battery Charging	7-8
5. How To Turn On & Off The Camera	9
6. Read Before Installing	10
7. Set Up with Coop App	11
8. Installation	13-16
9. Positioning	17-18
10. Status Light	19
11. Smart alerts and web view	20
12. Frequently Asked Questions	21

What's In The Box



USB Cable



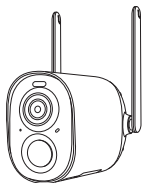
Mounting Screws



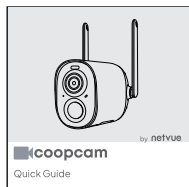
Threaded Bracket



Ejector Pin

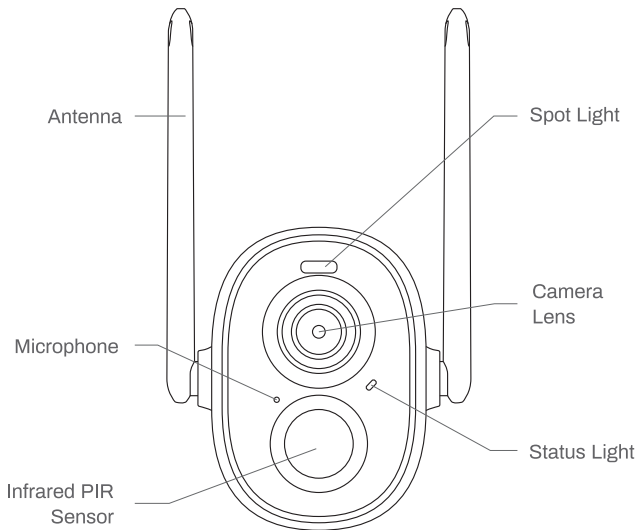


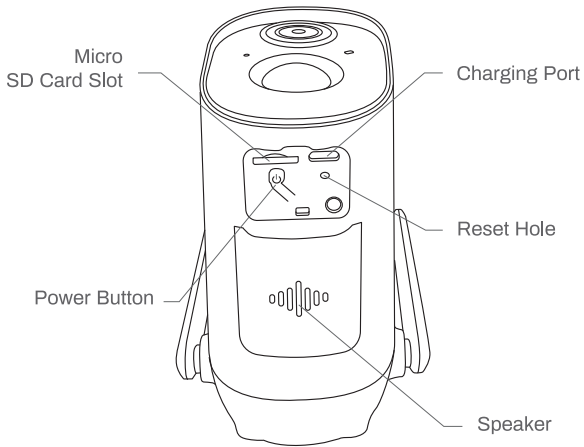
CoopCam



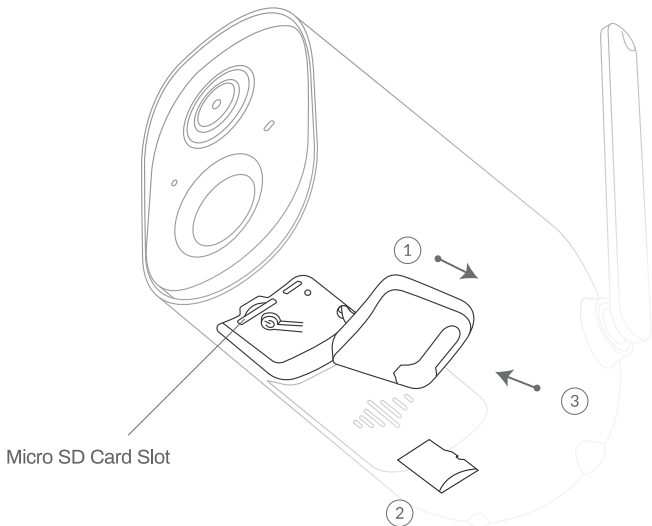
Quick Guide

Camera Structure





Insert Micro SD Card (optional)



Each CoopCam comes with a built-in card slot, which supports a Micro SD card up to 128GB (not included). Using a Micro SD card will allow you to store video recordings locally without access to cloud.

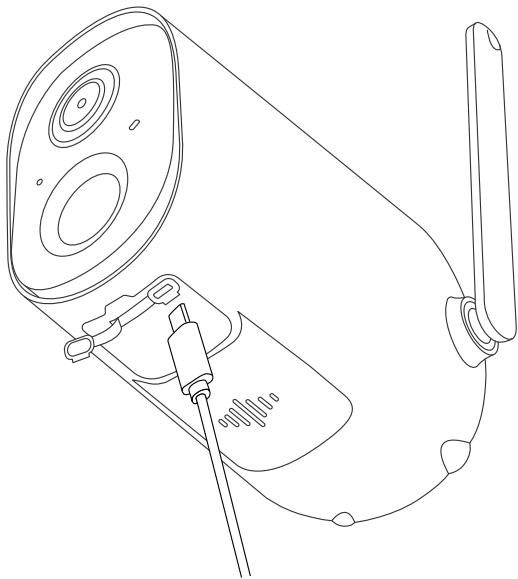
Here's how to install your Micro SD card:

Step 1: Open the cover.

Step 2: Gently insert the Micro SD card.

Step 3: Close the cover.

Battery Charging



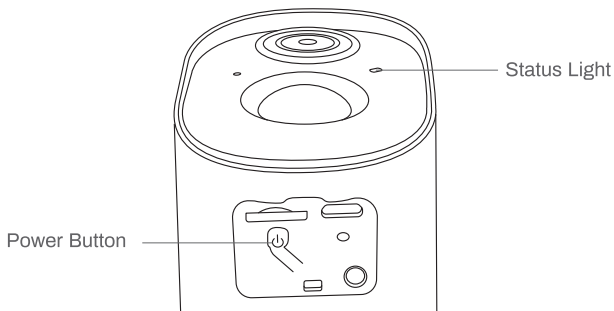
Charge your CoopCam conveniently with a micro-USB cable (adapter not included). Fully charge the camera batteries before use, which takes up to 14 hours.

The status light turns yellow when charging and green when fully charged. Enjoy up to 30 days of battery life once fully charged!

Turning the Camera On & Off

To turn on:

Press and hold the power button for 3 seconds. Once the status light is solid blue, double-click the power button to enter the Wi-Fi pairing mode, and listen for a soft tone to indicate pairing mode activation.



To turn off:

Press and hold the power button for 3 seconds, waiting for the status light to shut down.

Read Before Installing

1. Keep CoopCam and all accessories out of reach of children and pets.
2. Make sure your camera has been fully charged, indicated by a green LED status light.
3. Our CoopCams perform best in temperatures between 14°F and 122°F (-10°C and 50°C), with humidity below 95%.
4. Do not expose your CoopCam lens to direct sunlight. Please position your coop appropriately in your backyard to avoid direct sunlight on the camera (and your hens!)
5. Your CoopCam works with 2.4GHz Wi-Fi only, so please position your coop within 100-150 feet of your router when installing in your backyard.

Pairing with Coop App



Download the Coop App from App Store or Google Play Store,* and follow the in-app instructions to complete the setup of your coop.

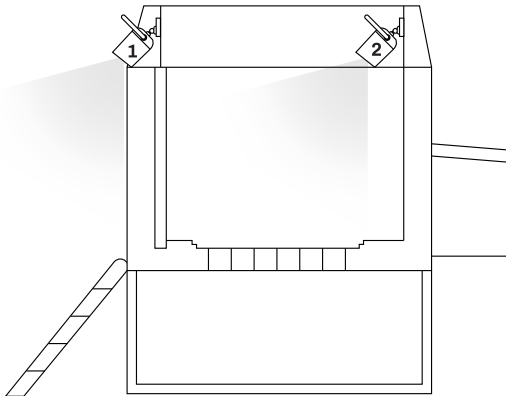
*Our Android app is set to launch later in 2023. In the meantime, Android users can easily access the web-based version.

Installing Your CoopCams

Please verify the below prior to mounting your internal and external cameras:

1. Your CoopCam has been successfully added to your Coop App or Web Account
2. Your CoopCam is successfully streaming video.

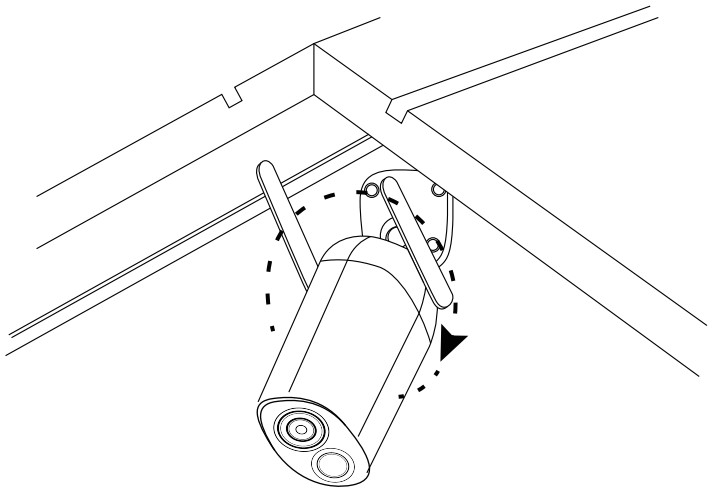
(Note that you'll install external and internal cameras one by one.)



Step 1:

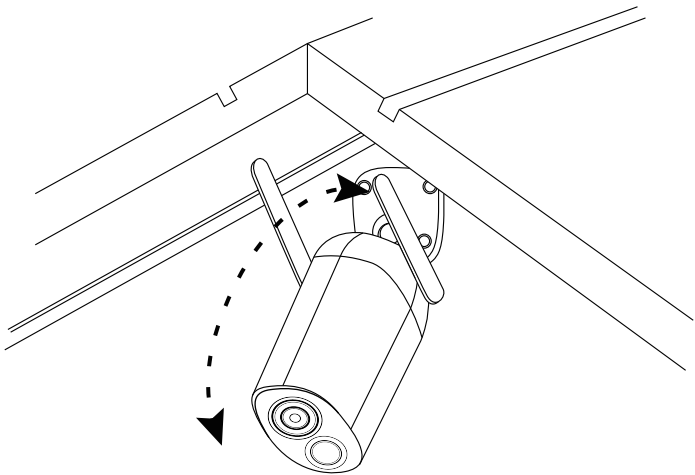
Refer to the diagram to find the correct mounting angle for both the external (1) and internal (2) cameras. The cameras are identical, so it doesn't matter where you install them either. You'll differentiate between external and internal later in the Coop App.

Please ensure there are no obstructions to your camera views, and cameras are successfully within Wi-Fi range.



Step 2:

Align screw holes on the back side of the camera with the pre-installed bracket screw, and turn camera clockwise to tighten.



Step 3:

Tilt camera to adjust angle and surveillance area as needed.

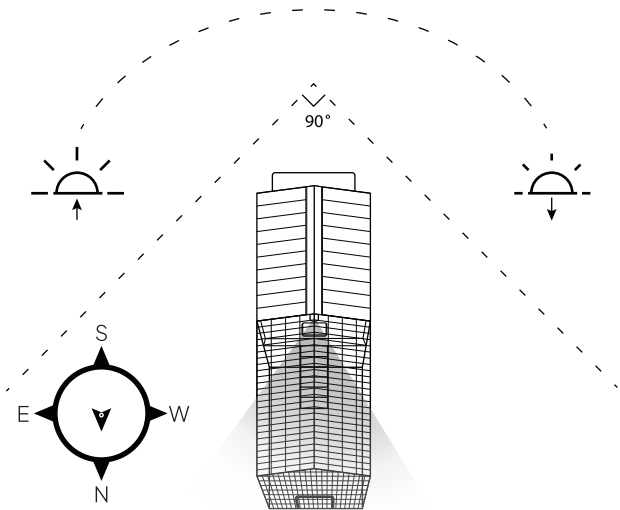
Positioning: Avoid Direct Sunlight**

To optimally position your camera and protect it from direct sunlight, follow these simple steps:

1. Determine the sunrise and sunset points in your backyard
2. Position your chicken coop with the nesting box facing south during midday, and the exterior camera facing north.
3. The 90-degree angle between the northwest and northeast corners of your yard is the most desirable camera position, as illustrated on the next page. This doesn't need to be an exact science, but generally close.

Adhering to these guidelines will keep your coop in optimal working condition year-round:

- Extended camera battery life due to prevention of overheating
- Improved visibility on sunny days
- Increased shade for chickens during daytime
- Enhanced performance of your automatic chicken door from direct sunlight on the rear window.



****Note**

Your camera can face the sun if necessary if there is decent shade (tree, structure) during the day.

Status Light

The CoopCams use LED status lights, located on the front panel, to show activity:

Status Light	Description
None	Offline or Standby
Blue Light	Online
Yellow Light	Charging mode
Green Light	Fully charged mode



Predator Alerts
Animal Detection
Event Video Recording

...

Visit
www.coop.farm/pages/camera
to learn more.

coop

If you need any additional help while setting up your coop, feel free to cluck this way:



help@coop.farm

www.coop.farm
15807 Booth Circle, Volente, 78641 TX, U.S.A.
© Coop Inc.

Frequently Asked Questions

Q1: Will the camera show red lights when night vision is activated?

The built-in infrared lamp LEDs make the camera only show some dim red lights when night vision is activated, but the image quality is still clear under no light environment.

Q2: What are the requirements for Wi-Fi?

Please use a 2.4GHz wireless network. The device does not support the 5GHz wireless network. Meanwhile, please set the Wi-Fi authentication method to WPA2-PSK. A password is required.

Q3: How far should the camera be placed from the router?

After testing, the Wi-Fi connection distance can normally reach up to 150 feet in the open area. However, the actual situation depends on the strength of Wi-Fi and its surrounding environment. If the camera connection signal is weak or unstable, please place the camera as close to the router as possible.

Q4: What should I do when the device is in malfunction?

Long press the power button for 3 seconds to restart it. If there is no response, you can remove the rubber plug at the bottom of the camera. Press the button in the reboot hole with a pin to restart the camera.

