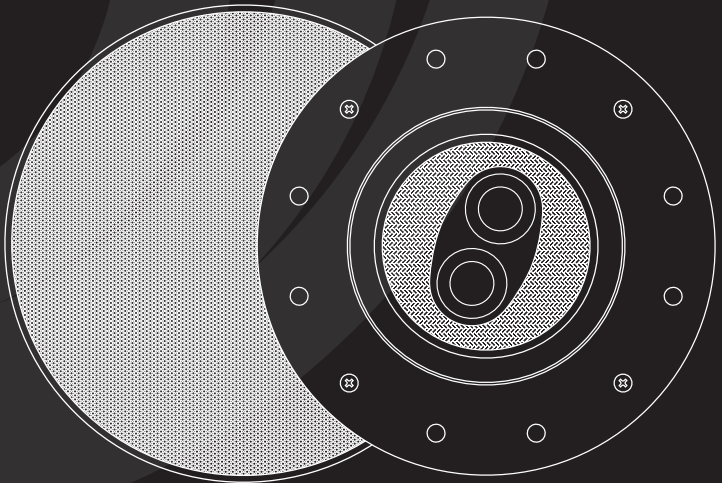




# MICRO EDGE SERIES

## Dual-Channel Ceiling Speaker

Model: ME652C User Manual



Congratulations on the purchase of your **Dayton Audio® ME652C Micro-Edge™ Series Ceiling Speakers**. These speakers were manufactured with high quality components and engineered to deliver top quality sound performance. These premium in-ceiling speakers feature an elegant "Micro-Edge" style grill.

- Contemporary low profile grill design with magnetic grill retention
- Long-throw woven Kevlar cone woofers with rubber surround and dual voice coil
- Coaxially mounted dual 1" silk dome tweeters for single-point stereo use
- Twin 12 dB/octave optimized crossovers with exclusive tuning by Dayton Audio®
- Timbre-matched to other Micro-Edge™ series in-wall/in-ceiling speakers

*Please read these instructions completely before you begin your installation.*

### 1) Parts Inventory

Your speaker kit should include the following:

- 1 pair of Dayton Audio Micro-Edge™ Series Ceiling Speakers with Grill
- 1 speaker installation template

### 2) Installation Tools

The Dayton Audio speakers can be installed with the following simple tools:

- Pencil
- Masking tape
- Drill & drill bits
- Utility knife or wallboard saw\*
- #2 Phillips screwdriver
- Wire cutters & wire stripper/crimp tool
- Stud finder (optional)

\* Recommended for use if installing in plaster walls.

### 3) Speaker Location

To achieve the best performance from your Dayton Audio speakers, it is important to carefully select the location for installation. Your ceiling speakers should be installed 5 to 8 feet apart to ensure proper stereo imaging. Mount each speaker the same distance from the intersecting walls to maintain a uniform look. Keep the speakers at least 2 feet away from the corners of the room to avoid overemphasized bass reproduction.

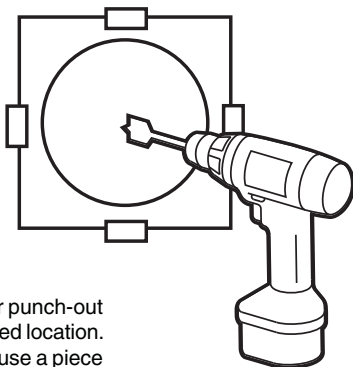
### 4) Speaker Installation

Once you have selected the location for your speakers, you are ready to install them.

**CAUTION:** Be certain that there are no electrical wires, water pipes, or heating ducts in the planned installation area before you start drilling or cutting into the ceiling. If there is an electrical outlet nearby, turn off the circuit breaker to avoid possible injury.

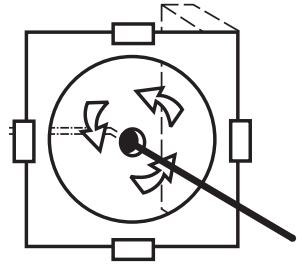
Ceiling speakers are designed to be mounted in the ceiling between the joists or trusses. Once you have selected the location, check to be sure you are between the joists or trusses. One method is to tap on the ceiling, you will hear a hollow sound when between two joists or trusses and a sharper, more solid sound when right on top of, or close to a joist or truss. An easier, more accurate method for finding the location of joists or trusses is to use a stud finder.

The Micro Edge™ Series in-ceiling speakers include a punch-out template for marking the cutout. To locate and mark the cutout for the speakers, remove the center punch-out and tape the speaker template to your ceiling in the desired location. Drill a 1" hole in the center of the template outline. Next, use a piece of stiff wire (a coat hanger works well), and bend it at a 90-degree angle, 8" from the end. Insert the bent part of the wire into the 1" hole and rotate the wire in a complete circle to check for obstructions. If the wire hits a stud on either side, reposition your template to the left or right and drill a new hole at the center, then repeat the test until a clear area is located.



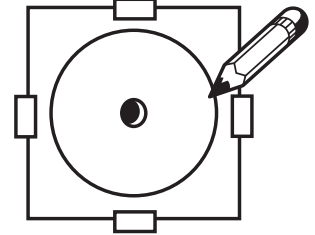
Once you have established that your chosen location is between two joists or trusses, and that there are no obstructions in the ceiling, scribe a clear line around the inside edge of the template with a pencil.

If the ceiling is made of drywall, simply cut the marked area with your utility knife or drywall saw. If the ceiling is made of plaster, use a saw with a higher tooth count to reduce the risk of breaking the plaster. Test fit the speaker in the hole; the speaker should fit loosely and the speaker frame should cover the edges of the hole. Repeat these steps for the other speaker.



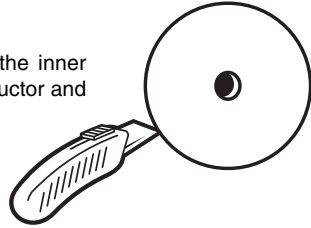
#### 5) Speaker Cable

Don't compromise sound quality by using thin, inexpensive speaker wire, we recommend using a high quality oxygen free copper speaker cable. For runs less than 50 feet we recommend 16 gauge cable, and for longer runs we recommend 14 gauge or larger cable. Most municipalities require the use of CL2 rated speaker cable for installation in walls and ceilings. Leave enough speaker cable so you can stand comfortably on the floor or ladder while connecting the speaker cable to the speakers.



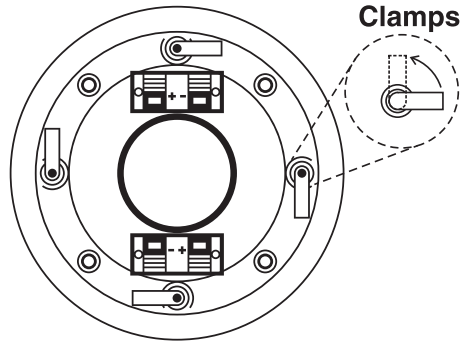
#### 6) Speaker Connection

Remove about 8" of the cable jacket to expose the inner conductors. Strip 1/4" of insulation from each conductor and connect to the speaker terminals. When connecting the wires to the speakers, be sure to observe proper polarity. Most CL2 rated speaker cable will have red and black conductors, so you will connect the red wire to the red speaker terminal and the black wire to the black speaker terminal. **Note:** Your dual-channel ceiling speaker has two pairs of terminals, and both pairs should be used. Connect one amplifier channel to each pair of terminals.



#### 7) Final Installation

To install the speakers into the ceiling, remove the grills, this will give you access to the mounting screws. Turn the mounting clamps so they are positioned as in the illustration, this will allow the speakers to clear the hole for installation. Insert the speaker into the hole, and tighten the mounting screws. As you turn each screw, the mounting clamps will rotate outward to engage the ceiling material.



**CAUTION: Do Not Over-Tighten the Clamps. Too much torque may snap off the lug and the speaker will not seat securely. A snug fit is all that is necessary to assure proper performance.**

#### 8) Painting Speakers

To paint the grill of your Micro-Edge speakers, remove the grill assembly (with plastic trim edge) from the speaker, and apply paint to the grill using an airbrush, airless sprayer, or spray can. **Do not try to paint the chassis and grill assembly together**, the grill should always be removed and painted separately. Do not apply heavy coats of paint that might block the perforations in the grill, and allow the paint to fully dry before re-installing the painted grill.

## 9) Troubleshooting

Should your speakers not work properly, check the following:

### **No sound from speakers:**

- Most stereo receivers have an A/B speaker selector switch. Make certain that this switch is in the proper position.
- Mute feature is activated.

### **One speaker is playing while the other is not:**

- Check the balance control on the receiver. Make sure it is centered.
- Loose connection at either the receiver or the speaker. Double check connections.
- Bad speaker cable. Replace suspect speaker cable.

### **Receiver cuts on and off:**

- This could be caused by a short circuit between the positive and negative leads. Check the connections at the back of the receiver, and then at the speaker; make sure that no strands of wire from one connector are touching the other connector.

## 10) Caring For Your Ceiling Speakers

The two most common ways that ceiling speakers are permanently damaged:

- 1) Not enough power at higher volumes.
- 2) Too much power at higher volumes.

Contrary to conventional wisdom, more speakers are damaged as a result of under-powering, than by overpowering. When a receiver runs out of power, it still tries to reproduce the musical signal by "clipping" the waveform. At high volume levels this clipping introduces gross amounts of distortion to the speaker, eventually destroying it. If the sound from your ceiling speakers starts to sound distorted, turn down the volume.

Having plenty of reserve power will help your speakers reproduce dynamic contrasts and quick transients of music much more effectively, but you must exercise good judgment; too much power can also permanently damage a speaker. If you hear distortion, turn the volume down.

## Specifications

Model number	ME652C
Woofers	6.5" DVC Kevlar
Tweeter	1" Silk x 2
Frequency response (Hz)	50-20,000
Dimensions H x W x D (in)	9-3/4" dia x 4"
Cut-out size H x W (in)	8-1/4" dia.
Power handling (RMS/Peak)	35/70
Impedance	8 + 8 ohm (dual)
SPL (1W/1m)	88 ±3dB combined
Xover point (Hz)	3,000
Xover slope	12dB/octave

## 5-Year Warranty

See [daytonaudio.com](http://daytonaudio.com) for details



daytonaudio.com  
tel + 937.743.8248  
info@daytonaudio.com

705 Pleasant Valley Dr.  
Springboro, OH 45066  
USA

