

# BLACK+ DECKER™

16" STAND FAN  
18" STAND FAN

VENTILATEUR SUR PIED DE 16" (41 CM)  
VENTILATEUR SUR PIED 18" (46 CM)

VENTILADOR DE PIE DE 16" (41CM)  
VENTILADOR DE PIE DE 18" (46CM)

INSTRUCTION MANUAL  
MANUEL D'INSTRUCTIONS  
MANUAL DE INSTRUCCIONES

CATALOG NUMBERS  
NUMÉRO DE CATALOGUE  
NÚMEROS DE CATÁLOGO

**BFSR16B**

**BFSR16W**

**BFSR18B**

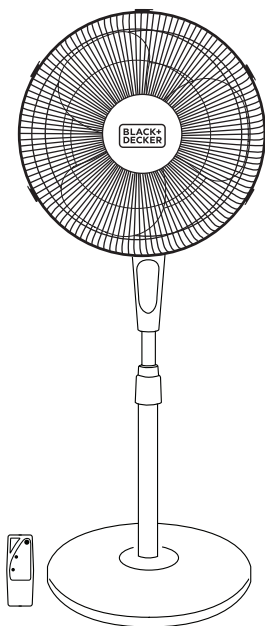
**BFSR18W**

Thank you for choosing BLACK+DECKER!  
Merci d'avoir choisi BLACK+DECKER!  
¡Gracias por elegir BLACK+DECKER!

PLEASE READ BEFORE RETURNING THIS  
PRODUCT FOR ANY REASON.

VEUILLEZ LIRE AVANT DE RETOURNER CE  
PRODUIT POUR QUELQUE RAISON.

POR FAVOR, LEA ESTE MANUAL ANTES DE  
DEVOLVER EL PRODUCTO POR CUALQUIER  
RAZÓN.



If you have a question or experience a problem with your BLACK+DECKER purchase, go to [www.blackanddecker.com/instantanswers](http://www.blackanddecker.com/instantanswers) If you can't find the answer or do not have access to the Internet, call 844-299-0879 from 10:30 a.m. to 6:30 p.m. EST Mon. - Fri. to speak with an agent. Please have the catalog number available when you call.

Si vous avez une question ou rencontrez un problème avec votre achat Black+Decker, allez sur [www.blackanddecker.com/instantanswers](http://www.blackanddecker.com/instantanswers) Si vous ne trouvez pas la réponse ou n'avez pas accès à l'Internet, appelez au 844-299-0879 de 10h30 à 18h30 HNE du lun. au ven. pour parler avec un agent. Veuillez avoir le numéro de catalogue disponible lorsque vous appelez.

Si tiene una pregunta o experimenta un problema con tu compra de BLACK+DECKER, vaya a [www.blackanddecker.com/instantanswers](http://www.blackanddecker.com/instantanswers) Si no puede encontrar las respuestas que necesita o no tiene acceso a Internet, llame al 844-299-0879 desde las 10:30 a.m. a las 6:30 p.m. EST de lunes a viernes para hablar con un agente. Por favor, tenga el número de catálogo a mano cuando llame.

SAVE THIS MANUAL FOR FUTURE REFERENCE.  
CONSERVEZ CE MANUEL POUR TOUTE CONSULTATION ULTÉRIEURE.  
GUARDE ESTE MANUAL PARA SU REFERENCIA FUTURA.



## CONTENTS

## ENGLISH

**SAFETY INFORMATION**

Important Safety Instructions.....	4-6
Electrical Requirements.....	5

**SET UP & USE**

Parts & Features .....	7
Operation & Use .....	8-11
Replacing the Fuse.....	12

<b>CLEANING &amp; CARE.....</b>	<b>12</b>
---------------------------------	-----------

**TROUBLE SHOOTING & WARRANTY**

Before You Call For Service.....	13
Customer Service.....	13
Troubleshooting.....	13
Limited Warranty.....	14

**PRODUCT REGISTRATION**

Thank you for purchasing our BLACK+DECKER product. This easy-to-use manual will guide you in getting the best use of your fan.

Remember to record the model and serial numbers. They are on a label on the rear.

---

Model number

---

Serial number

---

Date of purchase

Staple your receipt to your manual. You will need it to obtain warranty service.

## SAFETY INFORMATION



### DANGER

**DANGER** - Immediate hazards which **WILL** result in severe personal injury or death



### WARNING

**WARNING** - Hazards or unsafe practices which **COULD** result in severe personal injury or death



### CAUTION

**CAUTION** - Hazards or unsafe practices which **COULD** result in minor personal injury

## IMPORTANT SAFETY INSTRUCTIONS



### WARNING

When using electrical appliances, basic safety precautions should be followed, including the following

1. READ ALL INSTRUCTIONS BEFORE USE
2. Never insert fingers, pencils, or any other object through the grill when fan is running
3. Disconnect fan when moving from one location to another.
4. Disconnect fan when not in use and before cleaning.
5. To protect against risk of electrical shock, do not immerse fan in water or any other liquid.
6. Do not let cord hang over edge of table or counter.
7. Be sure fan is on a stable surface when operating to avoid overturning.
8. Do not use fan in window. Rain may create electrical hazard.
9. Close supervision is necessary when any appliance is used by or near children.
10. This product employs overload protection (fuse). A blown fuse indicates an overload or short-circuit situation. If the fuse blows, unplug the product from the outlet. Replace the fuse as per the user manual (follow product marking for proper fuse rating) and check the product. If the replacement fuse blows, a short-circuit may be present and the product should be discarded or returned to an authorized service facility for examination and/or repair.
11. Do not operate any fan with a damaged cord or plug. Discard fan or return to an authorized service facility for examination and/or repair.
12. Do not run cord under carpeting. Do not cover cord with throw rugs, runners, or similar coverings. Do not route cord under furniture or appliances. Arrange cord away from traffic area and where it will not be tripped over.

## SAFETY INFORMATION

13. To reduce the risk of fire or electric shock, DO NOT use this fan with any solid state speed control devices.
14. Do not use outdoors.
15. Ensure that the fan is switched off from the supply mains before removing the grille.

## SAVE THESE INSTRUCTIONS HOUSEHOLD USE ONLY

### ELECTRICAL REQUIREMENTS

This appliance has a polarized plug (one blade is wider than the other). To reduce the risk of electric shock, this plug is intended to fit into a polarized outlet only one way. If the plug does not fit into the outlet, reverse the plug. If it still does not fit, contact a qualified electrician. Do not attempt to modify the plug in any way.

### POWER SUPPLY CORD

1. If the power supply cord is too short, do not use an extension cord. Have a qualified electrician or serviceman to install an outlet near the appliance.
2. If it is absolutely necessary to use longer cord sets or an extension cord, extreme care must be exercised.
  - a) The marked electrical rating of the cord set or extension cord must equal to or be greater than the electrical rating of the appliance. The longer cord should be arranged so that it will not drape over the counter top or table top where it can be pulled on by children or tripped over unintentionally.

**NOTE:** Neither BLACK+DECKER nor the dealer can accept any liability for damage to the product or personal injury resulting from failure to observe the electrical connection procedures.

# SAFETY INFORMATION

## HANDLING ALKALINE BATTERIES

### **WARNING**

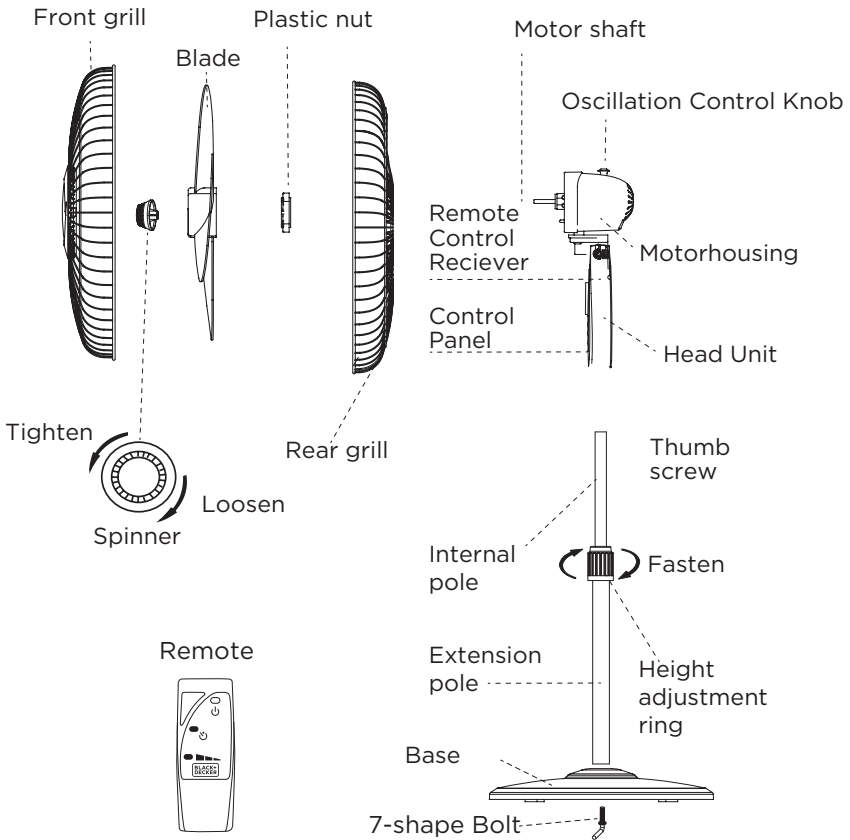
When handling alkaline batteries, basic safety precautions should be followed, including the following

1. Should fluid from the battery accidentally get into your eyes, there is a threat of loss of eyesight, do not rub them. Immediately rinse your eyes with clean tap water and then consult a physician immediately.
2. Do not put the battery in a fire, expose it to heat, dismantle or modify it. If the insulation or safety valve is damaged, the battery may leak fluid, overheat or explode.
3. Do not insert the battery with the poles reversed. Doing so may cause some abnormality or a short and the battery may leak fluid, overheat or explode.
4. Keep the battery out of the reach of children. If the battery is swallowed, contact a physician immediately.
5. If the alkali fluid gets in your mouth, rinse your mouth with water and contact a physician immediately.
6. If the alkali fluid gets on your skin or clothes, it may burn your skin, thoroughly rinse the affected area with tap water.
7. Do not mix new and old batteries or other makes of batteries. The different attributes may cause the battery to leak fluid, overheat or explode.
8. This battery was not made to be recharged. Recharging this battery may damage the insulation or internal structure and may cause the battery to leak fluid, overheat or explode.
9. Do not damage or remove the label on the exterior of the battery. Doing so may cause the battery to short, leak fluid, overheat or explode.
10. Do not drop, throw or expose the battery to extreme impact. Doing so may cause the battery to leak fluid, overheat or explode.
11. Do not alter the shape of the battery. If the insulation or safety valve is damaged, the battery may leak fluid, overheat or explode.
12. Immediately remove batteries when they have lost all power. Leaving the batteries in the unit for a long time may cause the batteries to leak fluid, overheat or explode due to gas that is generated by the batteries.

Contact your local government for disposal practices in your area.

# SET UP & USE

## PARTS & FEATURES



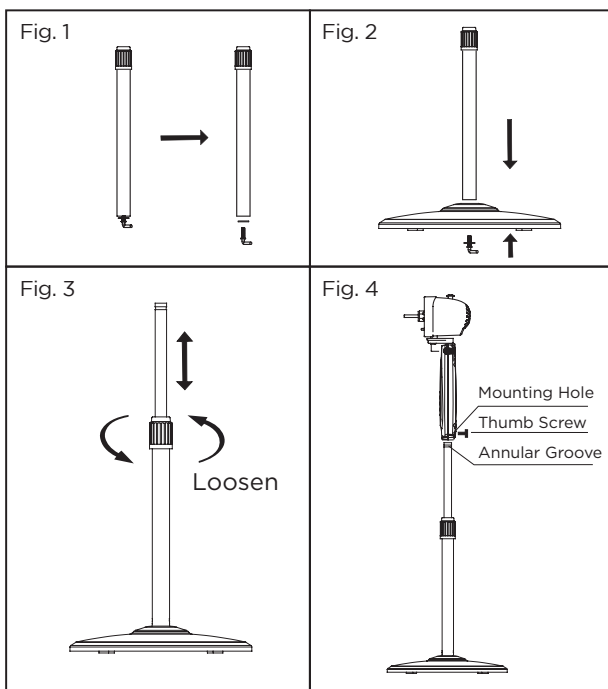
# SET UP & USE

## ASSEMBLY OF BASE & COLUMN UNIT

1. Unscrew the 7-shape Bolt from the Extension Pole. (see Fig. 1)
2. Insert the extension pole in the base and tighten the 7-shape Bolt. (see Fig. 2)
3. From the extension pole, loosen the height adjustment ring and adjust the internal pipe to the desired height.
 

**NOTE:** If you can't find the internal pole, it has slid inside the extension pole. You will need to retrieve it by pulling it out from the extension pole ( see Fig. 3).
4. To attach the upper portion of the fan to the extension pole, loosen the thumb screw slightly on the bottom of the head unit. Place the head unit on the extension pole and tighten the thumb screw in alignment with the groove on the internal pole. (see Fig. 4).

**⚠ CAUTION:** Height adjustment ring must be fully fastened before the assembly of the motor housing to the extension pole.



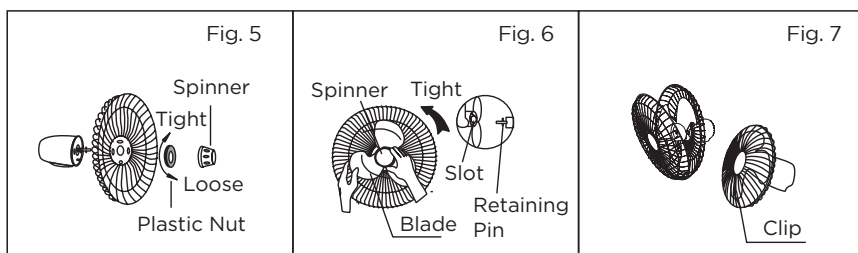


## SET UP & USE

### GRILL & FAN BLADE ASSEMBLY

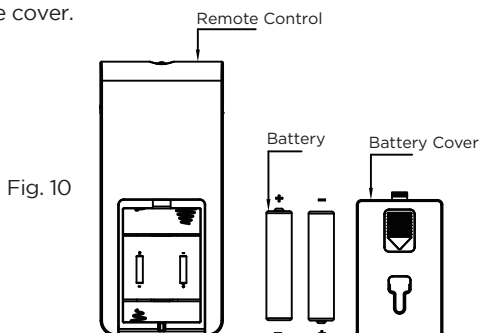
**⚠ WARNING:** Never attempt to run the fan without the grill in place and properly secured. Failure to have the grill in place can result in serious injury.

1. Unscrew the spinner clockwise and the plastic nut counterclockwise to remove both of them. Fix the rear grill so it sits perfectly flush to the motor then tighten the plastic nut clockwise. (see Fig. 5)
2. Insert the blade into shaft, and make sure the rotor shaft pin is fitted into groove of the blade. Turn the spinner counterclockwise to tighten the blade. (see Fig. 6)
3. Fasten the front grill and the rear grill to each other by using the grill clips. (see Fig. 7)



### REMOTE CONTROL BATTERY INSTALLATION

1. Press down on the battery compartment cover and slide it out.
2. Insert 2 "AAA" batteries (not included) making sure that the positive terminals are facing the proper way.
3. Replace the cover.



**NOTE:** Use size "AAA" alkaline batteries. Do not use rechargeable batteries.

# SET UP & USE

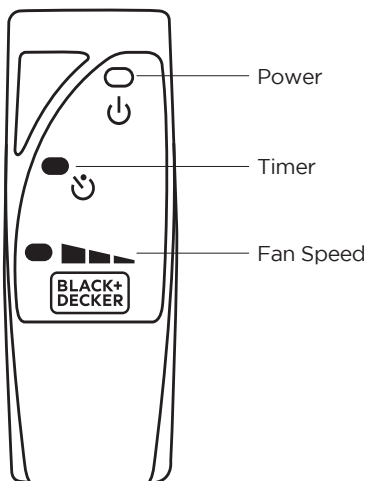
## OPERATION INSTRUCTIONS

### REMOTE CONTROL (Fig. 8)

Point the remote control at the receiver on body of the fan and press the desired button. The remote control will work at distances of up to roughly five meters (16 feet) and an angle of 30 degrees left and right of the control panel.

1. **POWER KEY** - The key is for switching the fan **ON** and **OFF**. Press and the fan will be started at low speed. Press again, it will be switched off.
2. **TIMER KEY** - When this button is pressed the auto shut-off timer can be set up to 7.5 hours. Continuing to press will allow you to scroll through the different time selections of .5, 1, 2 & 4, indicated on the control panel by illuminated LED lights. If no lights are illuminated the fan will run continuously.
3. **FAN SPEED KEY** - After the fan has started, this key serves as a speed selector in the sequence order "LOW-MEDIUM-HIGH-LOW, etc" when this key is pushed repeatedly or held down.

Fig. 8



# SET UP & USE

## OSCILLATION CONTROL

To make the fan oscillate, press down the oscillation control knob located on the top of the motor housing. To resume directional airflow, pull the oscillation control knob up to its initial position.

## TILT ADJUSTING

To adjust the air flow upward or downward, push the grill section lightly to the desired direction.

## HEIGHT ADJUSTING

The height of the fan can be adjusted by loosening the height adjustment ring. Carefully raise or lower to desired height and re-tighten the height adjustment ring.

## CONTROL PANEL (Fig. 9)

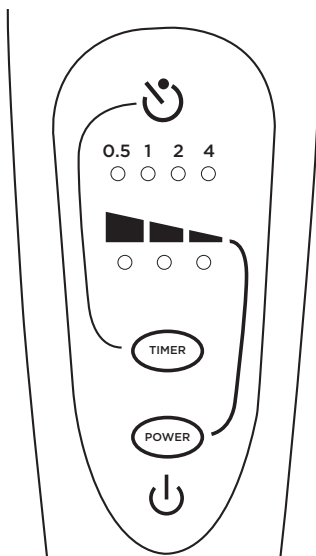
### ON/SPEED/OFF

The key serves two purposes. To turn fan ON and OFF and to set desired speed. Press key to turn fan ON and you are at LOW speed. Press again and it will move to MEDIUM speed. Press again and it will move to HIGH speed. Press again and the fan will turn OFF. Speed settings are confirmed by LED indicator light.

### TIMER

When this button is pressed the auto shut-off timer can be set up to 7.5 hours. Continuing to press will allow you to scroll through the different time selections of .5, 1, 2 & 4. indicated on the control panel by illuminated LED lights. If no lights are illuminated the fan will run continuously.

Fig. 9

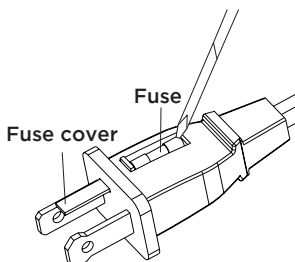


## SET UP & USE

### REPLACING THE FUSE

- Disconnect fan from power outlet by grabbing the plug at the end of the cord. Do not unplug by pulling the cord itself
- Open fuse cover located in the side of the power cord plug by sliding it toward the plug blades
- Remove fuse carefully by taking a small tool and slowly prying out one end. Once you have one end out, slowly pry out the other end.
- To avoid the risk of fire, replace only with similar 2.5 Amp, 125V fuse.
- Close fuse cover by sliding cover toward the top of the plug.

**CAUTION:** Do not attempt to replace the plug itself. Discard the product entirely if the plug itself is damaged.



### CLEANING AND MAINTENANCE

**⚠ WARNING:** Never attempt to run the fan without the grill in place and properly secured. Failure to have the grill in place can result in serious injury. Be sure to unplug from the electrical supply source before cleaning. Be sure not to get water or any other liquid inside the motor.

- Plastic parts of the fan should be cleaned with mild soap and a damp cloth or sponge. Rinse with clean water to remove any soapy film residue.

## TROUBLESHOOTING & WARRANTY

### BEFORE YOU CALL FOR SERVICE

IF THE APPLIANCE FAILS TO OPERATE:

- A) Check to make sure that the appliance is plugged in securely. If it is not, remove the plug from the outlet, wait 10 seconds and plug it in again securely.
- B) Check for a blown circuit fuse or a tripped main circuit breaker. If these seem to be operating properly, test the outlet with another appliance.

IF NONE OF THE ABOVE SOLVES THE PROBLEM, CONTACT A QUALIFIED TECHNICIAN. DO NOT TRY TO ADJUST OR REPAIR THE APPLIANCE YOURSELF.

## IMPORTANT

### DO NOT RETURN THIS PRODUCT TO THE STORE

If you have a problem with this product, please contact the W Appliance Co. Customer Satisfaction Center at 844-299-0879 or [service@equitybrands.com](mailto:service@equitybrands.com).

**DATED PROOF OF PURCHASE, MODEL # AND SERIAL # REQUIRED FOR WARRANTY SERVICE**

Troubleshoot your problem by using the chart below. If the appliance still does not work properly, contact W Appliance Co. customer service center or the nearest authorized service center. Customers must never troubleshoot internal components.

TROUBLE	POSSIBLE CAUSE	POSSIBLE REMEDY
Appliance does not turn on	Appliance is not plugged in	Check that appliance is plugged into a working outlet
	The fuse cover may be open	Disconnect the plug from outlet and close the cover of the fuse.

### SPECIFICATIONS

**16" STAND FANS: BFSR16B, BFSR16W**

UNIT DIMENSIONS (W X D X H): 15.3" X 15.3" X 49"

NET WEIGHT: APPROX. 9.2 LBS.

**18" STAND FANS: BFSR18B, BFSR18W**

UNIT DIMENSIONS (W X D X H): 16.5" X 16.5" X 52"

NET WEIGHT: APPROX. 11.9 LBS.

# TROUBLESHOOTING & WARRANTY

## LIMITED WARRANTY

Any repair, replacement, or warranty service, and all questions about this product should be directed to W Appliance Co. at **844-299-0879** from the USA or Puerto Rico.

W Appliance Co. warrants to the original purchaser that the product will be free from defects in material, parts and workmanship for the period designated for this product. The warranty commences the day the product is purchased and covers up to a period of **1 year (12 months) for labor/1 year (12 months) for parts (manufacturing defects only)**.

W Appliance Co. agrees that it will, at its option, replace the defective product with either a new or remanufactured unit equivalent to your original purchase during the warranty period.

**Exclusions:** This warranty does not apply to the below:

1. If the appearance or exterior of the product has been damaged or defaced, altered or modified in design or construction.
2. If the product original serial number has been altered or removed or cannot be readily determined.
3. If there is damaged due to power line surge, user damage to the AC power cord or connection to improper voltage source.
4. If damage is due to general misuse, accidents or acts of God.
5. If repair attempts are done by unauthorized service agents, use of parts other than genuine parts or parts obtained from persons other than authorized service companies.
6. On units that have been transferred from the original owner.
7. On products that have been purchased as refurbished, like new, second-hand, in a "As-Is" or "Final Sale" terms.
8. To products used in a commercial or rental setting.
9. To products used in settings other than ordinary household use or used other than in accordance with the provided instructions.
10. To damages for service calls for improper installations.
11. Transportation and shipping costs associated with the replacement of the unit.
12. Service calls to instruct you how to use your product.
13. Service calls to repair or replace the house fuse, reset the circuit breaker or correct the wiring in the house.

REPAIR OR REPLACEMENT AS PROVIDED UNDER THIS WARRANTY IS THE EXCLUSIVE REMEDY OF THE CUSTOMER; W Appliance Co. SHALL NOT BE LIABLE FOR ANY INCIDENTAL OR CONSEQUENTIAL DAMAGES FOR BREACH OF ANY EXPRESS OR IMPLIED WARRANTY ON THIS PRODUCT, EXCEPT TO THE EXTENT PROHIBITED BY APPLICABLE LAW. ANY IMPLIED WARRANTY OF MERCHANTABILITY OF FITNESS FOR A PARTICULAR PURPOSE ON THIS PRODUCT IS LIMITED TO THE DURATION OF THE WARRANTY.

Some states do not allow the exclusion or limitations of incidental or consequential damages, or limitations on how long the warranty lasts. In these cases the above exclusions or limitations may not apply to you. This warranty gives you specific legal rights and you may also have other rights which vary from state to state.

**Obtaining Service:** To obtain service, product literature, supplies or accessories please call **844-299-0879** to create a ticket for exchange/repair. Please make sure to provide the date of purchase, model number and a brief description of the problem. Our customer service representative will contact you or send detailed return instructions.

W Appliance Co. does not warrant that the appliance will work properly in all environmental conditions, and makes no warranty and representation, either implied or expressed, with respect to the quality, performance, merchantability, or fitness for a particular purpose other than the purpose identified within this user's manual. W Appliance Co. has made every effort to ensure that this user's manual is accurate and disclaims liability for any inaccuracies or omissions that may have occurred. Information in this user's manual is subject to change without notice and does not represent a commitment on the part of W Appliance Co. W Appliance Co. reserves the right to make improvements to this user's manual and/or to the products described in this user's manual at any time without notice. If you find information in this manual that is incorrect, misleading, or incomplete, please contact us at **844-299-0879**.

W Appliance Co.  
1356 Broadway  
New York, NY 10018

This device complies with part 15 of the FCC rules. Operation is subject to the following two conditions: 1) This device may not cause harmful interference, and 2) This device must accept any interference received, including interference that may cause undesired operation. This equipment has been tested and found to comply with the limits for a Class B digital device, pursuant to Part 15 of the FCC rules. These limits are designed to provide reasonable protection against harmful interference in a residential installation. This equipment generates, uses and can radiate radio frequency energy and, if not installed and used in accordance with the instructions, may cause harmful interference to radio communications. However, there is no guarantee that the interference will not occur in a particular installation. If this equipment does cause harmful interference to radio or television reception, which can be determined by turning the equipment off and on, the user is encouraged to try to correct the interference by one or more of the following measures: a) Reorient or relocate the receiving antenna. b) Increase the separation between the equipment and the receiver. c) Connect the equipment into an outlet different from that which the receiver is connected. d) Consult the dealer or an experienced radio/TV technician for help.





# CONTENIDO

## INFORMACIÓN DE SEGURIDAD

Instrucciones Importantes de Seguridad.....	18-20
Requerimientos Eléctricos .....	19

## CONFIGURACIÓN Y USO

Partes y Funcionalidades.....	21
Operación y Uso .....	22-25
Remplazar el Fusible .....	26

## LIMPIEZA Y CUIDADO..... 26

## SOLUCIÓN DE PROBLEMAS Y GARANTÍA

Antes de llamar al Servicio Técnico .....	27
Atención al Cliente .....	27
Solución de problemas .....	27
Garantía limitada.....	28

# REGISTRO DEL PRODUCTO

Gracias por comprar nuestro producto BLACK+DECKER. Este manual fácil de usar le guiará para hacer el mejor uso de su ventilador.

Recuerdo anotar el número de modelo y los números de serie. Se encuentran en una etiqueta en la parte posterior.

---

Número de modelo

---

Número de serie

---

Fecha de compra

Grabe el recibo de compra a su manual. Lo necesitará para obtener el servicio de garantía.

# INFORMACIÓN DE SEGURIDAD



## PELIGRO

**PELIGRO** - Riesgos inmediatos que RESULTARÁN en lesiones personales severas o la muerte



## ADVERTENCIA

**ADVERTENCIA** - Riesgos o prácticas peligrosas que PODRÍAN RESULTAR en lesiones personales severas o la muerte



## PRECAUCIÓN

**PRECAUCIÓN** - Riesgos o prácticas peligrosas que PODRÍAN RESULTAR en lesiones personales severas o la muerte

## INSTRUCCIONES IMPORTANTES DE SEGURIDAD



## ADVERTENCIA

Quando se usen aparatos eléctricos, se deben tomar precauciones de seguridad básicas, incluidas las siguientes

1. LEA TODAS LAS INSTRUCCIONES ANTES DEL USO
2. Nunca coloque los dedos, lápices, o cualquier otro objeto a través de la rejilla cuando el ventilador esté en uso.
3. Desconecte el ventilador cuando lo esté moviendo de un lugar a otro.
4. Desconecte el ventilador cuando no esté en uso y antes de limpiarlo.
5. Para protegerse del riesgo de descarga eléctrica, no sumerja el ventilador en agua o cualquier otro líquido.
6. No deje que el cable cuelgue del borde de la mesa o la encimera.
7. Asegúrese de que el ventilador esté en una superficie estable cuando esté en uso para evitar que vuelque.
8. No use el ventilador en una ventana. La lluvia puede crear un riesgo eléctrico.
9. Se requiere la supervisión estrecha por parte de un adulto cuando cualquier aparato sea usado por o cerca de niños.
10. Este producto cuenta con protección de sobrecarga (fusible). Un fusible quemado indica una sobrecarga o un cortocircuito. Si el fusible se quema, desenchufe el producto de la toma. Reemplace el fusible de acuerdo al manual de usuario (siga las marcas en el producto para usar el fusible adecuado) y verifique el producto. Si el fusible de recambio se quema, es posible que haya un cortocircuito y el producto deba ser descartado o devuelto a un Servicio Técnico autorizado para su examinación y/o reparación.
11. No use ningún ventilador con un cable o enchufe dañado. Descarte el ventilador o devuélvalo a un Servicio Técnico autorizado para su examinación y/o reparación.

## INFORMACIÓN DE SEGURIDAD

12. No coloque el cable bajo ningún tipo de alfombrado. No cubra el cable con tapetes, camineros, alfombras o coberturas similares. No encamine el cable bajo muebles o aparatos. Organice el cable lejos de áreas de tránsito y donde no se pueda tropezar con él.
13. Para reducir el riesgo de descarga eléctrica o incendio, NO use este ventilador con ningún dispositivo de control de velocidad de estado sólido.
14. No usar en el exterior.
15. Asegúrese de que el ventilador esté desconectado de la corriente eléctrica antes de remover la rejilla.

## GUARDE ESTAS INSTRUCCIONES ÚNICAMENTE USO DOMÉSTICO

### REQUERIMIENTOS ELÉCTRICOS

Este aparato tiene un enchufe polarizado (una clavija es más ancha de la otra). Para reducir el riesgo de descarga eléctrica, este enchufe fue diseñado para encajar en una toma polarizada de una sola manera.

Si el enchufe no encaja en la toma, de vuelta el enchufe. Si de todas maneras no encaja, contacte a un electricista calificado. No intente modificar el enchufe de forma alguna.

### CABLE DE ALIMENTACIÓN

1. Si el cable de alimentación es muy corto, no use un alargue o una regleta. Haga que un electricista calificado o un manitas instale una toma cerca del aparato.
2. Si fuese absolutamente necesario utilizar un alargue o una regleta, se debe tener cuidado extremo.

a) La capacidad eléctrica marcada en el alargue o regleta debe ser igual a o mayor que la capacidad eléctrica del aparato. El cable más largo debe ser

dispuesto de manera tal que no cuelgue de la encimera o la mesa para evitar que los niños tiren de él o que alguien se tropiece accidentalmente.

NOTA: Ni BLACK+DECKER ni el distribuidor pueden aceptar ningún tipo de responsabilidad por daños al producto o daños personales que resulten del fallo de respetar los procedimientos de conexión eléctrica.

# INFORMACIÓN DE SEGURIDAD

## MANIPULACIÓN DE PILAS ALCALINAS

### ADVERTENCIA

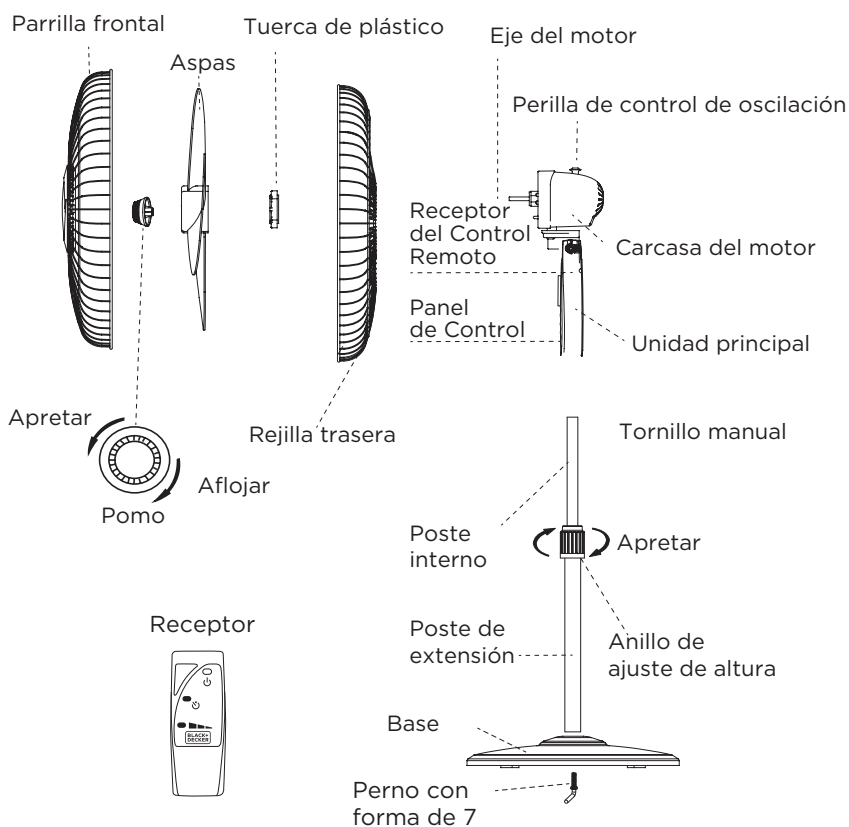
Cuando se manipulen pilas alcalinas, se deben tomar precauciones de seguridad básicas, incluyendo las siguientes

1. Si el fluido de las pilas entrara en contacto con sus ojos accidentalmente, existe el riesgo de pérdida de la visión, no los frote. Lave inmediatamente sus ojos con agua limpia del grifo y consulte inmediatamente a un médico.
2. No coloque la pila en el fuego, ni la exponga al calor, ni la desarme, ni la modifique. Si el aislamiento o la válvula de seguridad son dañados, la pila puede perder fluido, sobrecalentarse o explotar.
3. No inserte la pila con los polos invertidos. Hacerlo puede causar alguna anomalía o un cortocircuito, y la pila podría perder líquido, sobrecalentarse o explotar.
4. Mantenga las pilas lejos del alcance de los niños. Si la batería fuese ingerida, contacte a un médico inmediatamente.
5. Si el fluido alcalino entra en contacto con su boca, enjuague su boca con agua y contacte a un médico inmediatamente.
6. Si el fluido alcalino entra en contacto con su piel o ropa, puede quemar su piel, enjuague exhaustivamente el área afectada con agua del grifo.
7. No mezcle pilas nuevas con viejas o otras marcas de pilas. Los atributos diferentes pueden causar que la pila pierda líquido, se sobrecaliente o explote.
8. Este tipo de pilas no son recargables. Recargar estas pilas puede dañar el aislamiento o estructura interna y puede causar que la pila pierda líquido, se sobrecaliente o explote.
9. No dañe o quite la etiqueta del exterior de la pila. Hacerlo puede causar que la pila pierda líquido, se sobrecaliente o explote.
10. No deje caer, tire o exponga a la pila a impactos extremos. Hacerlo puede causar que la pila pierda líquido, se sobrecaliente o explote.
11. No altere la forma de la pila. Si el aislamiento o la válvula de seguridad son dañados, la pila puede perder fluido, sobrecalentarse o explotar.
12. Quite las pilas inmediatamente cuando hayan perdido toda su carga. Dejar las pilas en la unidad por un largo tiempo puede causar que las mismas pierdan líquido, se sobrecalienten o exploten debido al gas generado por las pilas.

Contacte a su gobierno local para conocer las prácticas de eliminación de pilas en su área.

# CONFIGURACIÓN Y USO

## PARTES Y FUNCIONALIDADES

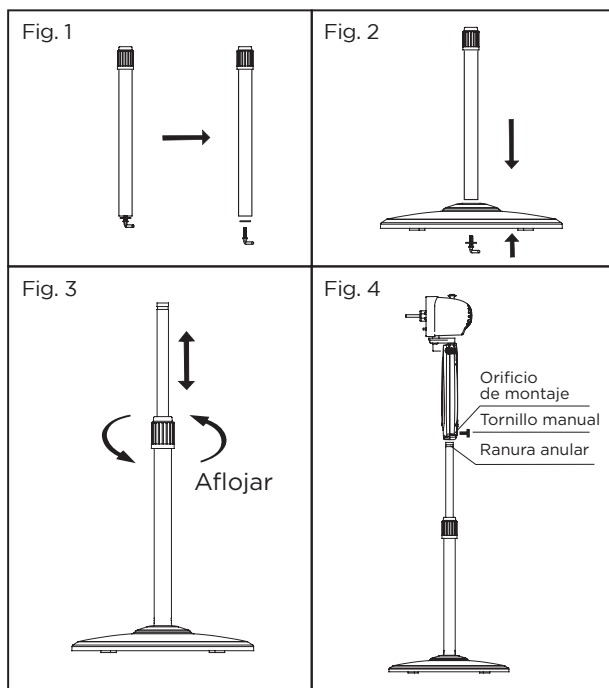


# CONFIGURACIÓN Y USO

## ENSAMBLAJE DE LA BASE Y EL POSTE

1. Desatornille el perno con forma de 7 del poste de extensión.(vea Fig. 1)
2. Inserte el poste de extensión en la base y aprete el perno con forma de 7.  
(vea Fig. 2)
3. En el poste de extensión, afloje el anillo de ajuste de altura y ajuste el poste interno a la altura deseada.  
**NOTA:** Si no puede encontrar el poste interno, es porque se ha deslizado dentro del poste de extensión.Será necesario que lo retire tirando de él desde el poste de extensión (vea Fig. 3).
4. Para adjuntar la porción superior del ventilador al poste de extensión, afloje levemente el tornillo manual en la unidad principal.Coloque la unidad principal en el poste interno.(vea Fig. 4).

**⚠ PRECAUCIÓN:** El anillo de ajuste de altura debe ser apretado completamente antes de adjuntar la carcasa del motor al poste de extensión.

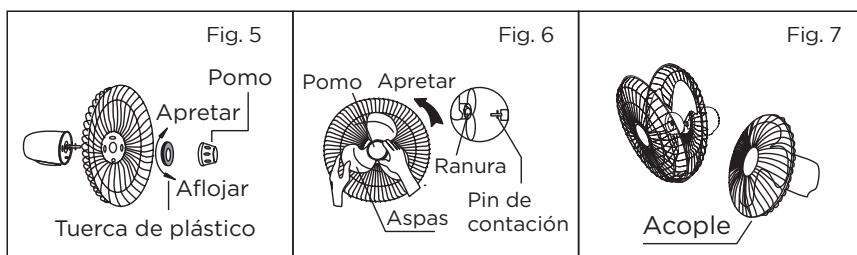


## CONFIGURACIÓN Y USO

### ENSAMBLAJE DE LA REJILLA Y LAS ASPAS

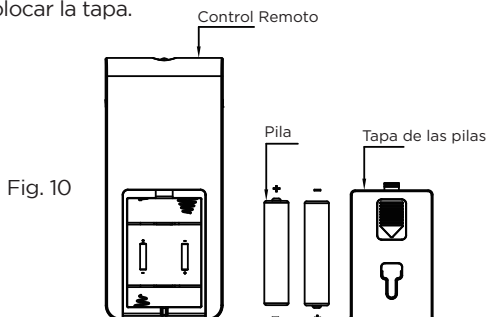
**⚠ ADVERTENCIA:** Nunca intente usar el ventilador sin la rejilla en su lugar y adecuadamente asegurada. No tener la rejilla colocada puede resultar en lesiones graves.

1. Gire el pomo en sentido horario y la tuerca de plástico en sentido anti-horario para quitar ambos. Fije la rejilla trasera para que quede al ras del motor y luego ajuste la tuerca de plástico en sentido horario. (vea Fig. 5)
2. Inserte las aspas en el eje, y asegúrese de que el pin del eje rotor está encajado en la ranura de las aspas. Gire el pomo en sentido anti-horario para apretar las aspas. (vea Fig. 6)
3. Aprete la rejilla frontal y la rejilla trasera una con otra mediante los acoples de la rejilla. (vea Fig. 7)



### INSTALACIÓN DE LAS PILAS DEL CONTROL REMOTO

1. Presione y deslice hacia afuera la tapa del compartimiento de las pilas.
2. Inserte 2 pilas "AAA" (no incluidas) asegurándose de que los terminales positivos están hacia el lugar adecuado.
3. Vuelva a colocar la tapa.



**NOTA :** Use pilas alcalinas tamaño "AAA". No use pilas recargables.

# CONFIGURACIÓN Y USO

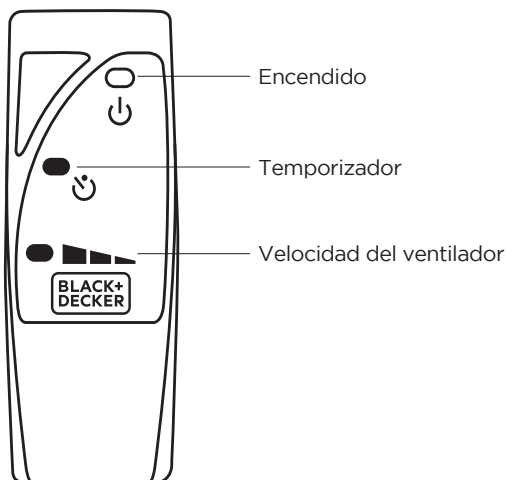
## INSTRUCCIONES DE OPERACIÓN

### CONTROL REMOTO (Fig. 8)

Apunte el control remoto hacia el receptor en el cuerpo del ventilador y presione el botón deseado. El control remoto funcionará a distancias de hasta cinco metros, aproximadamente (16 pies) y a un ángulo de 30 grados hacia la izquierda y derecha del panel de control.

1. **BOTÓN DE ENCENDIDO** - Este botón es para encender y apagar el ventilador. Presiónelo y el ventilador se encenderá en la velocidad baja. Presiónelo nuevamente y se apagará.
2. **BOTÓN DEL TEMPORIZADOR** - Cuando se presiona este botón, el temporizador de apagado se puede configurar hasta 7,5 horas. Seguir presionándolo le permitirá desplazarse a través de las diferentes opciones de tiempo, 0,5, 1, 2 y 4, indicadas en el panel de control por luces LED. Si no hay luces encendidas, el ventilador funcionará continuamente.
3. **BOTÓN DE VELOCIDAD** - Luego de que el ventilador ha encendido, este botón funciona como un selector de velocidad en la secuencia “BAJO-MEDIO-ALTO-BAJO, etc.” cuando este botón es presionado repetidamente o se mantiene presionado.

Fig. 8





# CONFIGURACIÓN Y USO

## CONTROL DE OSCILACIÓN

Para hacer que el ventilador oscile, presione la perilla de control de oscilación ubicada en la parte superior de la carcasa del motor. Para restablecer el flujo direccional, tire de la perilla de control de oscilación hacia arriba a su posición original.

## AJUSTE DE INCLINACIÓN

Para ajustar el flujo de aire hacia arriba o abajo, presione la rejilla ligeramente hacia la dirección deseada.

## AJUSTE DE ALTURA

La altura del ventilador puede ser ajustada aflojando el anillo de ajuste de altura. Con cuidado, suba o baje a la altura deseada y apriete el anillo de ajuste de altura.

## PANEL DE CONTROL (Fig. 9)

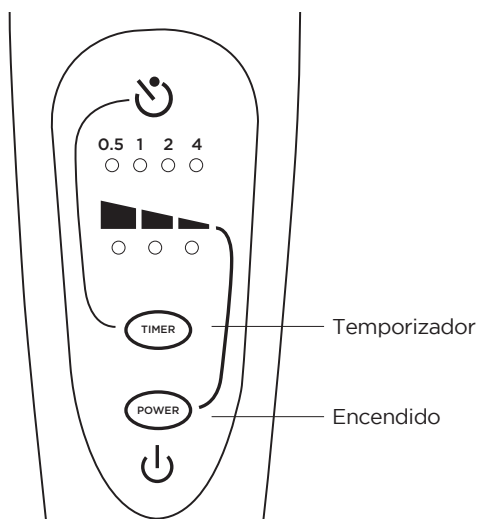
### ENCENDIDO/VELOCIDAD/APAGADO

El botón cumple con dos funciones. Para ENCENDER y APAGAR el ventilador y para elegir la velocidad deseada. Presione el botón para ENCENDER el ventilador en la velocidad BAJA. Presione nuevamente y cambiará a la velocidad MEDIA. Presione nuevamente y cambiará a la velocidad ALTA. Presione nuevamente y el ventilador se APAGARÁ. Los ajustes de velocidad son confirmados por el indicador LED.

### TEMPORIZADOR

Cuando se presiona este botón, el temporizador de apagado se puede configurar hasta 7,5 horas. Seguir presionándolo le permitirá desplazarse a través de las diferentes opciones de tiempo, 0,5, 1, 2 y 4, indicadas en el panel de control por luces LED. Si no hay luces encendidas, el ventilador funcionará continuamente.

Fig. 9

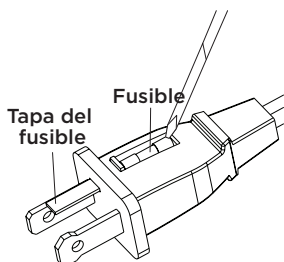


## CONFIGURACIÓN Y USO

### REEMPLAZAR EL FUSIBLE

- Desconecte el ventilador de la toma de corriente tomando el enchufe al final del cable. No lo desenchufe tirando del cable.
- Abra la cubierta del fusible ubicada en el lado del enchufe del cable de alimentación deslizándola hacia las clavijas del enchufe
- Quite cuidadosamente el fusible usando una herramienta pequeña y levantando lentamente uno de los extremos. Una vez que tenga uno de los extremos fuera, levante lentamente el otro extremo.
- Para evitar riesgos de incendio, solamente replácelo con un fusible similar de 2.5A a 125V.
- Cierre la tapa del fusible deslizándola hacia la parte superior del enchufe.

**PRECAUCIÓN:** No intente reemplazar el enchufe. Descarte completamente el producto si el enchufe está dañado.



### LIMPIEZA Y MANTENIMIENTO

**⚠️ ADVERTENCIA:** Nunca intente usar el ventilador sin la rejilla en su lugar y adecuadamente asegurada. No tener la rejilla colocada puede resultar en lesiones graves. Asegúrese de desconectar de la toma de corriente antes de la limpieza. Asegúrese de no introducir agua ni otros líquidos en el motor.

- Las partes plásticas del ventilador deberían ser limpiadas con jabón suave y un paño o esponja húmedos. Enjuague con agua para eliminar cualquier resto de jabón.

# SOLUCIÓN DE PROBLEMAS Y GARANTÍA

## ANTES DE LLAMAR AL SERVICIO TÉCNICO

SI EL APARATO NO FUNCIONA:

- A) Asegúrese de que el aparato está enchufado firmemente. De lo contrario, retire el enchufe de la toma, espere 10 segundos y conéctelo nuevamente de forma segura.
- B) Compruebe si hay algún fusible quemado o un disyuntor disparado. Si éstos parecen estar operando como es debido, pruebe la toma con otro aparato.

SI NINGUNO DE LOS PASOS ANTERIORES RESUELVE EL PROBLEMA, CONTACTE A UN TÉCNICO CALIFICADO. NO INTENTE AJUSTAR O REPARAR EL APARATO POR USTED MISMO.

## IMPORTANTE

### NO DEVUELVA ESTE PRODUCTO A LA TIENDA

Si tiene problemas con este producto, por favor, contacte al Centro de Satisfacción del Cliente de W Appliance Co. a través del 844-299-0879 o a [service@equitybrands.com](mailto:service@equitybrands.com).

**UNA PRUEBA DE COMPRA CON FECHA, No. DE MODELO Y No. DE SERIE SON OBLIGATORIOS PARA EL SERVICIO DE GARANTÍA**

Intente solucionar su problema mediante el siguiente cuadro. Si el aparato aún no funciona correctamente, contacte al centro de atención al cliente de, o el centro de servicio autorizado de W Appliance Co. más cercano. Los clientes no deben nunca intentar solucionar problemas de componentes internos.

PROBLEMA	CAUSA POSIBLE	POSIBLE SOLUCIÓN
El aparato no enciende.	El aparato no está enchufado	Asegúrese de que el aparato está enchufado a una toma que funcione
	La tapa del fusible puede estar abierta	Desconecte el enchufe de la toma y cierre la cubierta del fusible

## ESPECIFICACIONES

**VENTILADORES DE PIE DE 16" (41CM) : BFSR16B, BFSR16W**

DIMENSIONES DE LA UNIDAD (AN X P X AL): 39CM X 39CM X 124CM

PESO NETO : APROX 4,18 KG.

**VENTILADORES DE PIE DE 18" (46CM) : BFSR18B, BFSR18W**

DIMENSIONES DE LA UNIDAD (AN X P X AL): 42CM X 42CM X 132CM

PESO NETO : APROX 5,41 KG.

# SOLUCIÓN DE PROBLEMAS Y GARANTÍA

## VVV

Cualquier reparación, recambio, o servicio de garantía, y todas las preguntas sobre este producto deben ser dirigidas a W Appliance Co. al 844-299-0879 desde EE.UU. o Puerto Rico.

W Appliance Co. garantiza al comprador original que el producto estará libre de defectos de materiales, partes y mano de obra por el período designado para este producto. La garantía comienza el día en el que el producto es comprado y cubre un período de hasta **1 año (12 meses) por la mano de obra/1 año (12 meses) por las partes (solamente defectos de manufacturación)**.

W Appliance Co. acepta que, de acuerdo con su criterio, reemplazará el producto defectuoso por uno nuevo o uno remanufacturado equivalente a su compra original durante el período de garantía.

**Exclusiones:** Esta garantía no aplica a lo siguiente:

1. Si la apariencia o el exterior del producto han sido dañados o desfigurados, alterados o modificados en diseño o construcción.
2. Si el número de serie original del producto ha sido alterado o removido o no puede ser determinado fácilmente.
3. Si hay daños debido a sobretensión en la línea eléctrica, daño por parte del usuario al cable de alimentación de CA o conexión a una fuente de voltaje no adecuada.
4. Si el daño se debe al mal uso general, accidentes o "actos de Dios".
5. Si existen intentos de reparación por parte de agentes de servicio no autorizados, uso de partes que no sean originales u obtenidas de personas que no sean las compañías de servicio autorizadas.
6. Unidades que hayan sido transferidas por el dueño original a un tercero.
7. A productos que hayan sido comprados como renovados, como nuevos, de segunda mano, en términos de venta final o "como se ve".
8. A productos usados en un entorno comercial o de alquiler.
9. A productos usados en entornos que no sean el doméstico ordinario o usados de otra manera que no sea de acuerdo con las instrucciones brindadas.
10. A daños por visitas técnicas por instalaciones inadecuadas.
11. Costos de transporte y envío asociados con el reemplazo de la unidad.
12. Visitas técnicas para darle instrucciones de cómo usar su producto.
13. Visitas técnicas para reparar o cambiar el fusible de la casa, reiniciar el disyuntor o corregir el cableado de la casa.

LA REPARACIÓN O EL REMPLAZO COMO SE ESTABLECE EN ESTA GARANTÍA SON LA SOLUCIÓN EXCLUSIVA DEL CLIENTE; W Appliance Co. NO SERÁ RESPONSABLE POR CUALQUIER DAÑO ACCIDENTAL O A CONSECUENCIA DEL INCUMPLIMIENTO DE CUALQUIER GARANTÍA EXPRESADA O IMPLÍCITA SOBRE ESTE PRODUCTO, EXCEPTO EN LA MEDIDA DE LO PROHIBIDO POR LA LEY VIGENTE. CUALQUIER GARANTÍA IMPLÍCITA DE COMERCIABILIDAD O APTITUD PARA UN PROPÓSITO EN PARTICULAR DE ESTE PRODUCTO SE LIMITA A LA DURACIÓN DE LA GARANTÍA.

Algunos estados no permiten la exclusión o las limitaciones de daños accidentales o consecuentes, o limitaciones de qué tan larga es la garantía. En estos casos, las exclusiones o limitaciones antes mencionadas no se aplican a usted. Esta garantía le otorga derechos legales específicos y puede que tenga también otros derechos que varían de estado a estado.

**Obtención de servicio:** Para obtener servicio, literatura del producto, suministros y accesorios, por favor llame al **844-299-0879** para crear un ticket de cambio o reparación. Por favor, asegúrese de proporcionar la fecha de compra, número de modelo y una breve descripción del problema. Un representante de nuestro servicio de atención al cliente lo contactará o le enviará instrucciones detalladas para la devolución.

W Appliance Co. no garantiza que el aparato funcionará adecuadamente en todas las condiciones ambientales, y no otorga garantía alguna ni defensa, ya sea implícita o expresada, con respecto a la calidad, desempeño, comerciabilidad, o aptitud para un propósito particular más allá del que se especifica en este manual de usuario. W Appliance Co. ha realizado todos los esfuerzos para asegurarse de que este manual es preciso y renuncia a la responsabilidad sobre cualquier imprecisión u omisión que pueda haber ocurrido. La información en este manual de usuario está sujeta a cambiar sin aviso previo y no representa un compromiso por parte de W Appliance Co. W Appliance Co. se reserva el derecho de hacer mejoras a este manual de usuario y/o al producto descrito en este manual de usuario en cualquier momento sin aviso previo. Si encuentra en este manual información que sea incorrecta, engañosa, o esté incompleta, por favor contáctenos al **844-299-0879**.

W Appliance Co.  
1356 Broadway  
New York, NY 10018

Este dispositivo cumple con la parte 15 de las reglas de la FCC. Su operación está sujeta a las siguientes dos condiciones: 1) Este dispositivo no deberá causar interferencias perjudiciales, y 2) Este dispositivo debe aceptar cualquier interferencia recibida, incluyendo interferencia que pueda causar un funcionamiento no deseado. Este equipo ha sido probado y cumple con los límites para los dispositivos digitales Clase B, de acuerdo a la Parte 15 de las reglas de la FCC. Estos límites están diseñados para brindar protección razonable contra interferencias perjudiciales en un entorno residencial. Este equipo genera, usa y puede emitir energía de radio-frecuencia y, de no instalarse y usarse de acuerdo con las instrucciones, puede causar interferencia perjudicial para las comunicaciones de radio. Sin embargo, no hay garantía de que no habrá interferencia en una instalación en particular. Si este aparato causare interferencias perjudiciales para la recepción de radio o televisión, lo cual puede determinarse al apagar y encender el aparato, se recomienda al usuario tratar de corregir la interferencia mediante una o más de las medidas siguientes: a) Reoriente o cambie de lugar la antena receptora. b) Incremente la separación entre el aparato y el receptor. c) Conecte el equipo a una toma diferente a la que está conectada el receptor. d) Consulte con el distribuidor o solicite la ayuda de un técnico experimentado en radio/TV.



# TABLE DES MATIÈRES

## INFORMATIONS DE SÉCURITÉ

Instructions De Sécurité Importantes.....	32-34
Exigences Électriques.....	33

## CONFIGURATION ET UTILISATION

Pièces Et Caractéristiques.....	35
Opération Et Utilisation .....	36-39
Remplacer le Fusible .....	40

## NETTOYAGE ET SOINS.....40

## DÉPANNAGE ET GARANTIE

Avant d'Appeler Pour Le Service .....	41
Service Clients.....	41
Dépannage .....	41
Garantie limitée.....	42

# ENREGISTREMENT DU PRODUIT

Merci d'avoir acheté notre produit BLACK+DECKER. Ce manuel facile à utiliser vous guidera dans l'utilisation optimale de votre ventilateur.

N'oubliez pas d'enregistrer les numéros de modèle et de série. Ils sont sur une étiquette à l'arrière.

Agrafez votre reçu à votre manuel. Vous en aurez besoin pour obtenir un service de garantie.

---

Numéro de modèle

---

Numéro de série

---

Date d'achat

# INFORMATIONS DE SÉCURITÉ



## DANGER

**DANGER** - Risques immédiats qui **VONT** entraîner des blessures graves ou la mort



## AVERTISSEMENT

**AVERTISSEMENT** - Risques ou pratiques dangereuses qui **POURRAIENT** entraîner des blessures graves ou la mort



## ATTENTION

**ATTENTION** - Risques ou pratiques dangereuses qui **POURRAIENT** entraîner des blessures mineures

# CONSIGNES DE SÉCURITÉ IMPORTANTES



## AVERTISSEMENT

Lors de l'utilisation d'appareils électriques, des précautions de base devrait être suivi, y compris les suivants

1. LIRE TOUTES LES INSTRUCTIONS AVANT UTILISATION
2. Ne jamais insérer les doigts, les crayons ou tout autre objet à travers la grille lorsque le ventilateur est en marche.
3. Débranchez le ventilateur lorsque vous vous déplacez d'un endroit à un autre.
4. Débrancher le ventilateur lorsqu'il n'est pas utilisé et avant de le nettoyer.
5. Pour éviter tout risque d'électrocution, ne pas immerger le ventilateur dans l'eau ou tout autre liquide.
6. Ne pas laisser le cordon pendre par-dessus le bord d'une table ou d'un comptoir.
7. Assurez-vous que le ventilateur est sur une surface stable en fonctionnement pour éviter le renversement.
8. N'utilisez pas le ventilateur dans une fenêtre. La pluie peut créer un danger électrique.
9. Une surveillance étroite est nécessaire lorsque tout appareil est utilisé par ou à proximité des enfants.
10. Ce produit utilise une protection contre la surcharge (fusible). Un fusible grillé indique une situation de surcharge ou de court-circuit. Si le fusible saute, débranchez le produit de la prise. Remplacez le fusible conformément au manuel de l'utilisateur (suivez les indications du produit pour obtenir la cote de fusible appropriée) et vérifiez le produit. Si le fusible de remplacement saute, un court-circuit peut être présent et le produit doit être jeté ou renvoyé à un centre de service agréé pour examen et/ou réparation.
11. Ne pas utiliser un ventilateur avec une fiche ou un cordon endommagé. Jeter le ventilateur ou retourner à un centre de service autorisé pour examen et / ou réparation.



## INFORMATIONS DE SÉCURITÉ

12. Ne pas passer le cordon sous un tapis. Ne pas couvrir le cordon avec des carpettes, des tapis de couloir ou des revêtements similaires. Ne pas faire passer le cordon sous des meubles ou des appareils. Disposez le cordon loin de la zone de circulation pour empêcher un trébuchement.
13. Pour réduire le risque d'incendie ou d'électrocution, N'UTILISEZ PAS ce ventilateur avec des dispositifs de contrôle de vitesse à semi-conducteurs.
14. Ne pas utiliser à l'extérieur.
15. Assurez-vous que le ventilateur est hors tension avant d'enlever la grille.

## SAUVEGARDER CES INSTRUCTIONS USAGE DOMESTIQUE SEULEMENT

### EXIGENCES ÉLECTRIQUES

Cet appareil a une fiche polarisée (une lame est plus large que l'autre). Pour réduire le risque de décharge électrique, cette prise est prévue pour s'adapter dans une prise polarisée d'une seule façon. Si la fiche ne s'enfonce pas complètement dans la prise, la brancher dans l'autre sens. Si elle ne s'enfonce toujours pas, contactez un électricien qualifié. Ne pas tenter de modifier la fiche de quelque façon que ce soit.

### CORDON D'ALIMENTATION

1. Si le cordon d'alimentation est trop court, n'utilisez pas de rallonge. Ayez un électricien ou un technicien compétent pour installer une prise de courant près de l'appareil.
2. S'il est absolument nécessaire d'utiliser des cordons plus longs ou une rallonge, il faut faire très attention.
  - a) La cote électrique marquée du cordon ou de la rallonge doit être égale ou supérieure à la puissance nominale de l'appareil. Le cordon plus long doit être placé de sorte qu'il ne dépasse pas le dessus du comptoir ou le dessus de la table où il peut être tiré par des enfants ou trébuché involontairement.

**REMARQUE:** Ni BLACK + DECKER ni le revendeur ne peuvent être tenus responsables des dommages au produit ou des blessures résultant du non-respect des procédures de connexion électrique.

# INFORMATIONS DE SÉCURITÉ

## MANIPULATION DES PILES ALCALINES

### **AVERTISSEMENT**

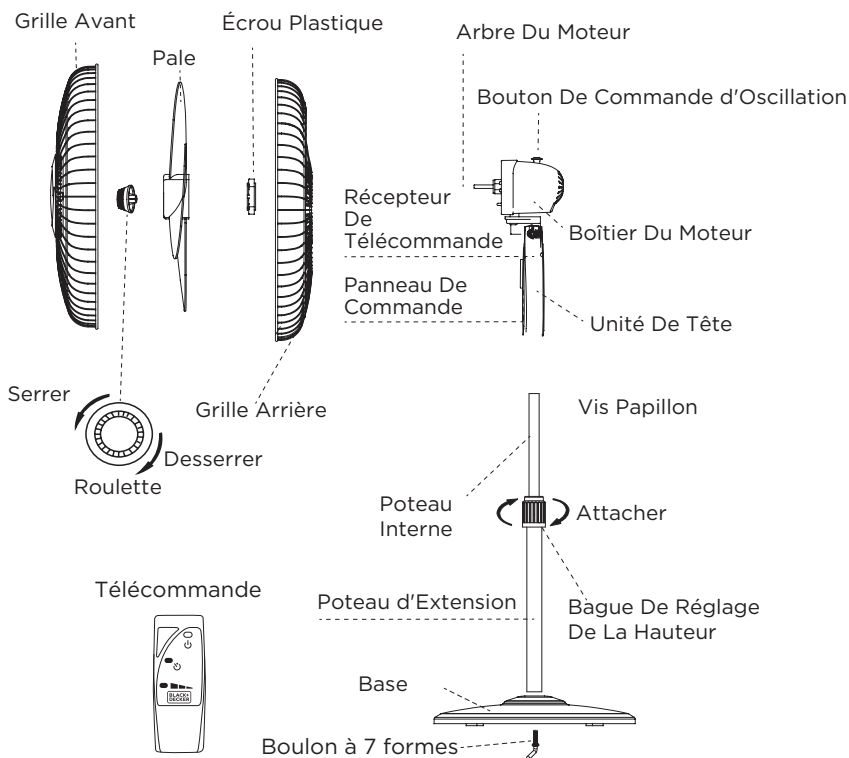
Lors de la manipulation de piles alcalines, des précautions de sécurité de base doivent être suivies, y compris les suivantes

1. Si du liquide provenant de la pile entre accidentellement dans vos yeux, il y a une menace de perte de la vue, ne pas les frotter. Rincez-vous immédiatement les yeux avec de l'eau du robinet, puis consultez immédiatement un médecin.
2. Ne mettez pas la pile dans le feu, ne l'exposez pas à la chaleur, ne la démontez pas et ne la modifiez pas. Si l'isolation ou la soupape de sécurité est endommagée, la pile peut fuir, surchauffer ou exploser.
3. N'insérez pas la pile avec les pôles inversés. Cela pourrait provoquer une anomalie ou un court-circuit et la pile pourrait fuir, surchauffer ou exploser.
4. Gardez la pile hors de la portée des enfants. Si la pile est avalée, contactez immédiatement un médecin.
5. Si le liquide alcalin pénètre dans votre bouche, rincez-vous la bouche avec de l'eau et contactez immédiatement un médecin.
6. Si le liquide alcalin s'infiltré dans votre peau ou vos vêtements, il peut brûler votre peau, rincez abondamment la zone affectée avec de l'eau du robinet.
7. Ne mélangez pas des piles neuves et usagées ou d'autres marques de piles. Les différents attributs peuvent entraîner une fuite de la pile, une surchauffe ou une explosion.
8. Cette pile n'a pas été conçue pour être rechargée. Recharger cette pile peut endommager l'isolation ou la structure interne et provoquer une fuite de liquide, une surchauffe ou une explosion de la pile.
9. Ne pas endommager ou enlever l'étiquette sur l'extérieur de la pile. Cela peut provoquer un court-circuit de la pile, une fuite de liquide, une surchauffe ou une explosion.
10. Ne pas laisser tomber, jeter ou exposer la pile à un impact extrême. Cela pourrait entraîner une fuite de la pile, une surchauffe ou une explosion.
11. Ne modifiez pas la forme de la pile. Si l'isolation ou la soupape de sécurité est endommagée, la pile peut fuir, surchauffer ou exploser.
12. Retirez immédiatement les piles quand elles ont perdu toute leur puissance. Si vous laissez les piles dans l'appareil pendant une longue période, les piles risquent de fuir, de surchauffer ou d'exploser à cause du gaz produit par les piles.

Contactez votre gouvernement local pour les pratiques d'élimination dans votre région.

# CONFIGURATION ET UTILISATION

## PIÈCES & CARACTÉRISTIQUES

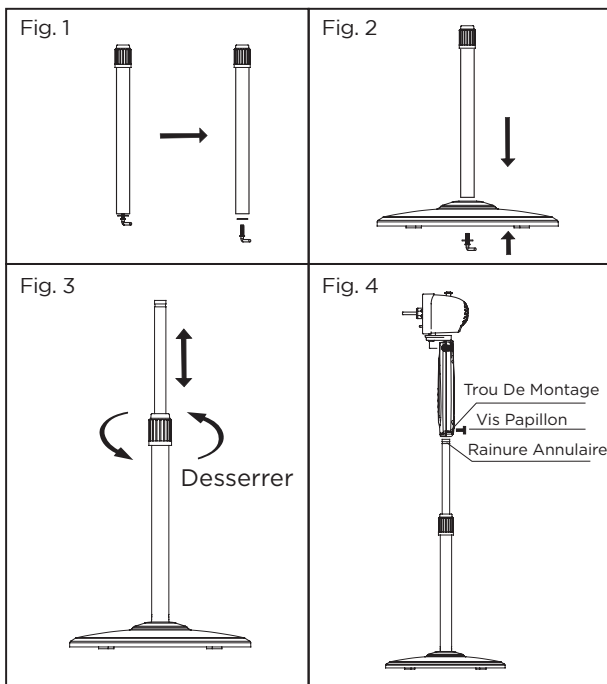


# CONFIGURATION ET UTILISATION

## ASSEMBLAGE DE L'UNITÉ DE BASE ET DE COLONNE

1. Dévissez le Boulon à 7 formes du Poteau d'Extension. (voir Fig. 1)
2. Insérez le poteau d'extension dans la base et serrez le Boulon à 7 formes. (voir Fig. 2)
3. À partir du poteau d'extension, desserrez la bague de réglage en hauteur et réglez le poteau interne à la hauteur souhaitée.  
REMARQUE: Si vous ne trouvez pas le poteau interne, celui-ci a glissé à l'intérieur du poteau d'extension. Vous devrez le récupérer en le tirant du poteau d'extension (voir Fig. 3).
4. Pour fixer la partie supérieure du ventilateur au poteau d'extension, desserrer légèrement la vis à oreilles sur le bas de l'unité principale. Placez l'unité principale sur le poteau d'extension et serrez la vis à oreilles en alignement avec la rainure sur le poteau interne. (voir Fig. 4).

**⚠ ATTENTION:** La bague de réglage de la hauteur doit être entièrement fixée avant l'assemblage du boîtier du moteur au poteau d'extension.

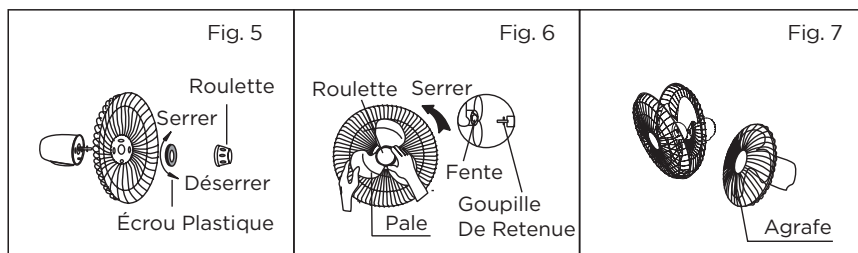


## CONFIGURATION ET UTILISATION

### ASSEMBLAGE DE LA GRILLE ET LA PALE DU VENTILATEUR

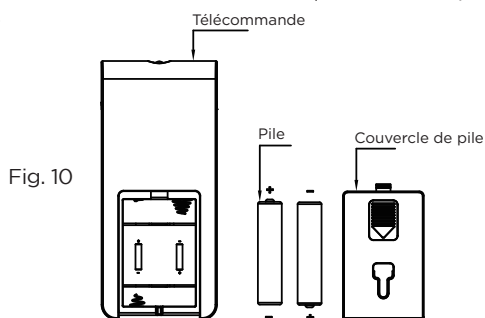
**⚠ AVERTISSEMENT:** N'essayez jamais de faire fonctionner le ventilateur sans que la grille soit en place et correctement fixée. Ne pas mettre le grill en place peut entraîner des blessures graves.

1. Dévissez la roulette dans le sens horaire et l'écrou en plastique dans le sens antihoraire pour les retirer tous les deux. Fixez la grille arrière de manière à ce qu'elle soit parfaitement alignée avec le moteur, puis serrez l'écrou en plastique dans le sens horaire. (voir Fig. 5)
2. Insérez la pale dans l'arbre et assurez-vous que la goupille de l'arbre du rotor est insérée dans la rainure de la pale. Tournez la roulette dans le sens antihoraire pour serrer la pale. (voir Fig. 6)
3. Fixez la grille avant et la grille arrière l'une à l'autre en utilisant les clips de grille. (voir Fig. 7)



### INSTALLATION DES PILES DE LA TÉLÉCOMMANDE

1. Appuyez sur le couvercle du compartiment des piles et faites-le glisser.
2. Insérez 2 piles "AAA" (non incluses) en vous assurant que les bornes positives soient dans le bon sens.
3. Remplacez le couvercle.



**REMARQUE:** Utilisez des piles alcalines de type "AAA". N'utilisez pas de piles rechargeables.

# CONFIGURATION ET UTILISATION

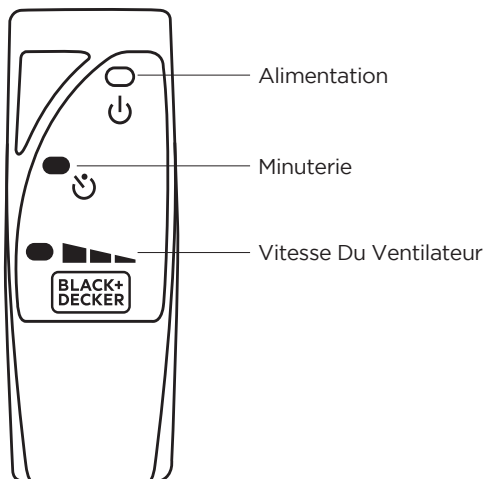
## INSTRUCTIONS D'UTILISATION

### TÉLÉCOMMANDE (Fig. 8)

Point the remote control at the receiver on body of the fan and press the desired button. The remote control will work at distances of up to roughly five meters (16 feet) and an angle of 30 degrees left and right of the control panel.

1. **TOUCHE D'ALIMENTATION** - Cette touche permet d'**ALLUMER** et d'**ÉTEINDRE** le ventilateur. Appuyez une fois et le ventilateur démarrera à basse vitesse. Appuyez à nouveau, il sera éteint.
2. **TOUCHE MINUTERIE** - Lorsque vous appuyez sur cette touche, la minuterie d'arrêt automatique peut être réglée jusqu'à 7,5 heures. Continue à appuyer vous permettra de faire défiler les différentes sélections de temps de .5, 1, 2 et 4. indiqués sur le panneau de commande par des voyants DEL lumineux. Si aucune lumière n'est allumée, le ventilateur fonctionnera continuellement.
3. **TOUCHE DE VITESSE** - Une fois que le ventilateur a démarré, cette touche sert de sélecteur de vitesse dans l'ordre de séquence "BAS-MOYEN-HAUT-BAS, etc." lorsque cette touche est enfoncée plusieurs fois ou maintenue enfoncée.

Fig. 8



# CONFIGURATION ET UTILISATION

## COMMANDE D'OSCILLATION

Pour faire osciller le ventilateur, appuyez sur le bouton de commande d'oscillation situé sur la partie supérieure du boîtier du moteur. Pour rétablir le flux d'air directionnel, tirez le bouton de commande d'oscillation jusqu'à sa position initiale.

## RÉGLAGE DE L'INCLINAISON

Pour régler le flux d'air vers le haut ou vers le bas, poussez légèrement la section du gril dans la direction souhaitée.

## RÉGLAGE EN HAUTEUR

La hauteur du ventilateur peut être réglée en desserrant la bague de réglage en hauteur. Soulevez ou abaissez soigneusement jusqu'à la hauteur désirée et resserrez la bague de réglage de la hauteur.

## PANNEAU DE COMMANDE (Fig. 9)

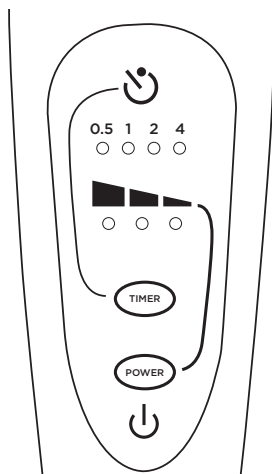
### ON/SPEED/OFF

La touche a deux objectifs. Pour allumer et éteindre le ventilateur et régler la vitesse désirée. Appuyez sur la touche pour allumer le ventilateur et vous êtes à vitesse BASSE. Appuyez à nouveau et il passera à la vitesse MOYENNE. Appuyez à nouveau et il passera à la vitesse HAUTE. Appuyer à nouveau pour arrêter le ventilateur. Les réglages de vitesse sont confirmés par un voyant DEL.

### MINUTERIE

Lorsque vous appuyez sur cette touche, la minuterie d'arrêt automatique peut être réglée jusqu'à 7,5 heures. Continue à appuyer vous permettra de faire défiler les différentes sélections de temps de .5, 1, 2 et 4. indiqués sur le panneau de commande par des voyants DEL lumineux. Si aucune lumière n'est allumée, le ventilateur fonctionnera continuellement.

Fig. 9

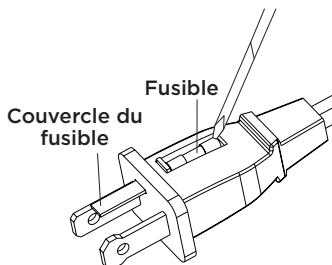


## CONFIGURATION ET UTILISATION

### REPLACEMENT DU FUSIBLE

- Débranchez le ventilateur de la prise de courant en saisissant la fiche à l'extrémité du cordon. Ne débranchez pas en tirant le cordon lui-même
- Ouvrez le couvercle du fusible situé sur le côté de la fiche du cordon d'alimentation en le faisant glisser vers les lames de la fiche
- Retirez soigneusement le fusible en prenant un petit outil et en tirant lentement une extrémité. Une fois que vous avez une extrémité, soulevez lentement l'autre extrémité.
- Pour éviter tout risque d'incendie, remplacez-le uniquement par un fusible similaire de 2.5 A, 125 V.
- Fermez le couvercle du fusible en faisant glisser le couvercle vers le haut de la prise.

**ATTENTION:** N'essayez pas de remplacer la fiche elle-même. Jetez le produit entièrement si la fiche elle-même est endommagée.



### NETTOYAGE ET ENTRETIEN

**⚠ AVERTISSEMENT:** N'essayez jamais de faire fonctionner le ventilateur sans que la grille soit en place et correctement fixée. Ne pas mettre le grill en place peut entraîner des blessures graves. Assurez-vous de débrancher la source d'alimentation électrique avant de nettoyer. Assurez-vous de ne pas avoir d'eau ou tout autre liquide à l'intérieur du moteur.

- Les pièces en plastique du ventilateur doivent être nettoyées avec un savon doux et un chiffon humide ou une éponge. Rincer à l'eau propre pour enlever tout résidu de film savonneux.



# DÉPANNAGE ET GARANTIE

## AVANT D'APPELER POUR LE SERVICE

SI L'APPAREIL NE FONCTIONNE PAS:

- A) Assurez-vous que l'appareil est branché solidement. Si ce n'est pas le cas, retirez la fiche de la prise, attendez 10 secondes et branchez-le à nouveau sécuritairement.
- B) Vérifiez qu'il n'y a pas de fusible de circuit grillé ou de disjoncteur principal déclenché. Si celles-ci semblent fonctionner correctement, testez la prise avec un autre appareil.

SI AUCUNE DE CES RÉPONSES RÉSOULT LE PROBLÈME, CONTACTEZ UN TECHNICIEN QUALIFIÉ. N'ESSAYEZ PAS D'AJUSTER OU DE RÉPARER L'APPAREIL VOUS-MÊME.

## IMPORTANT

### NE PAS RETOURNER CE PRODUIT AU MAGASIN

Si vous avez un problème avec ce produit, veuillez communiquer avec le Centre De Satisfaction Client de W Appliance Co. au 844-299-0879 ou [service@equitybrands.com](mailto:service@equitybrands.com).

### PREUVE D'ACHAT DATÉE, # DE MODÈLE ET # DE SÉRIE REQUIS POUR LE SERVICE SOUS GARANTIE

Localisez votre problème en utilisant le tableau ci-dessous. Si l'appareil ne fonctionne toujours pas correctement, contactez le service clientèle de W Appliance Co. ou le centre de service agréé le plus proche. Les clients ne doivent jamais dépanner les composants internes.

PROBLÈME	CAUSE POSSIBLE	SOLUTION POSSIBLE
L'appareil ne s'allume pas	L'appareil n'est pas branché	Vérifiez que l'appareil est branché dans une prise de courant
	Le couvercle du fusible peut être ouvert	Débranchez la fiche de la prise et fermez le couvercle du fusible.

## SPÉCIFICATIONS

**VENTILATEURS SUR PIED 16": BFSR16B, BFSR16W**

DIMENSIONS DE L'UNITÉ (L X P X H): 15,3" X 15,3" X 49"

POIDS NET: ENV. 9,2 LB.

**VENTILATEURS SUR PIED DE 18": BFSR18B, BFSR18W**

DIMENSIONS DE L'UNITÉ (L X P X H): 16,5" X 16,5" X 52"

POIDS NET: ENV. 11,9 LB.

# DÉPANNAGE ET GARANTIE

## GARANTIE LIMITÉE

Toute réparation, remplacement ou réparation sous garantie, et toutes les questions sur ce produit doivent être adressées à W Appliance Co. au 1 (855) 855-0294 depuis les États-Unis ou de Porto Rico.

W Appliance Co. garantit à l'acheteur original que le produit sera exempt de défauts de matériel, de pièces et de fabrication pour la période désignée pour ce produit. La garantie commence le jour de l'achat du produit et couvre une période maximale de **1 an (12 mois) pour la main-d'œuvre / 1 an (12 mois) pour les pièces (défauts de fabrication uniquement)**.

W Appliance Co. accepte de remplacer, à sa discrétion, le produit défectueux par une unité neuve ou reconstruite équivalente à votre achat initial pendant la période de garantie.

**Exclusions:** Cette garantie ne s'applique pas à ce qui suit:

1. Si l'apparence ou l'extérieur du produit a été endommagé ou déformé, altéré ou modifié dans la conception ou la construction.
2. Si le numéro de série original a été modifié ou supprimé ou ne peut être déterminée facilement.
3. S'il y a des dommages causés par une surtension de la ligne d'alimentation, des dommages de l'utilisateur au cordon d'alimentation CA ou une connexion à une source de tension incorrecte.
4. Si le dommage résulte de la mauvaise utilisation générale, des accidents ou des cas de force majeure.
5. Si les réparations sont effectuées par des agents de service non autorisés, l'utilisation des pièces autres que des pièces originales ou pièces obtenues auprès de personnes autres que les entreprises de services autorisées.
6. Sur les unités qui ont été transférées du propriétaire original.
7. Sur les produits qui ont été achetés comme remis à neuf, comme neuf, d'occasion, dans des termes "Tel Quel" ou "Vente Finale".
8. Aux produits utilisés dans un contexte commercial ou de location.
9. Aux produits utilisés dans des environnements autres que d'un usage domestique ou utilisé autrement que conformément aux instructions fournies.
10. Pour les dommages pour les appels de service pour les installations incorrects.
11. Les frais de transport et d'expédition associés au remplacement de l'unité.
12. Appels de service pour vous expliquer comment utiliser votre produit.
13. Les appels de service pour réparer ou remplacer le fusible de la maison, réinitialiser le disjoncteur ou corriger le câblage dans la maison.

LA RÉPARATION OU LE REMPLACEMENT PRÉVU EN VERTU DE CETTE GARANTIE EST LE RECOURS EXCLUSIF DU CLIENT; W Appliance Co. NE POURRA ÊTRE TENUE RESPONSABLE D'AUCUN DOMMAGE ACCESSOIRE OU INDIRECT EN CAS DE NON-RESPECT DE TOUTE GARANTIE EXPRESSE OU IMPLICITE SUR CET APPAREIL, SAUF DANS LA MESURE INTERDITE PAR LA LOI APPLICABLE. TOUTE GARANTIE IMPLICITE DE QUALITÉ MARCHANDE OU D'APTITUDE À UN USAGE PARTICULIER SUR CE PRODUIT EST LIMITÉE À LA DURÉE DE LA GARANTIE.

Certains États n'autorisent pas l'exclusion ou limitation de dommages accessoires ou indirects, ou la limitation sur la durée de la garantie. Dans ces cas les exclusions ou limitations ci-dessus peuvent ne pas s'appliquer à vous. Cette garantie vous donne des droits légaux précis, et vous pourriez aussi avoir d'autres droits légaux qui varient d'un état à l'autre.

**Obtention de Service:** Pour obtenir un service, documentation sur les produits, des fournitures ou des accessoires, veuillez appeler **844-299-0879** pour créer un ticket d'échange/réparation. Veuillez vous assurer de fournir la date d'achat, numéro de modèle et une brève description du problème. Notre représentant du service à la clientèle vous contactera ou vous enverra des instructions de retour détaillées.

concerne la qualité, performance, qualité marchande ou aptitude à un usage particulier autre que celui identifié dans ce manuel de l'utilisateur. W Appliance Co. a fait tous les efforts pour s'assurer que ce manuel de l'utilisateur est exact et décline toute responsabilité pour toute inexactitude ou omission qui pourrait avoir eu lieu. Les informations contenues dans ce manuel de l'utilisateur sont sujettes à modification sans préavis et ne représente pas un engagement de la part de W Appliance Co. W Appliance Co. se réserve le droit d'apporter des améliorations à ce manuel de l'utilisateur et/ou aux produits décrits dans ce manuel de l'utilisateur à tout moment sans préavis. Si vous trouvez des informations dans ce manuel qui sont erronées, trompeuses ou incomplètes, veuillez nous contacter à **1-855-855-0294**.

W Appliance Co.  
1356 Broadway  
New York, NY 10018

Cet appareil respecte la section 15 des directives FCC. Son utilisation est soumise aux deux conditions suivantes: 1) cet appareil ne doit pas causer aucune interférence nuisible; et 2) cet appareil doit accepter toute interférence reçue, y compris les interférences susceptibles de provoquer un fonctionnement indésirable. Ce matériel a été testé et déclaré conforme aux limites imposées aux appareils électroniques de classe B, définies à l'article 15 de la réglementation de la FCC. Ces limites sont conçues pour assurer une protection raisonnable contre une interférence dommageable dans une installation résidentielle. Cet appareil produit, utilise et peut émettre des radiofréquences et, s'il n'est pas installé et utilisé conformément aux instructions, provoquer des interférences nuisibles aux communications radio. Cependant, il n'y a aucune garantie qu'aucun brouillage ne se produira dans une installation en particulier. Si cet équipement cause des interférences nuisibles à la réception radio ou télévision, ce qui peut être déterminé en éteignant et en rallumant l'appareil, l'utilisateur est encouragé à essayer de corriger l'interférence par une ou plusieurs des mesures suivantes: a) Réorienter ou déplacer l'antenne de réception. b) Augmentez la distance entre l'équipement et le récepteur. c) Branchez l'équipement dans une prise différente de celle que le récepteur est connecté. d) Consultez le revendeur ou un technicien radio/TV expérimenté pour obtenir de l'aide.

BLACK & DECKER, BLACK+DECKER, the BLACK & DECKER and BLACK+DECKER logos and product names and the orange and black color scheme are trademarks of The Black & Decker Corporation, used under license. All rights reserved.

BLACK & DECKER, BLACK+DECKER, y los logos y nombres de productos de BLACK & DECKER y BLACK+DECKER y el esquema de colores naranja y rojo son marcas registradas de The Black & Decker Corporation, usados bajo licencia. Todos los derechos reservados.

BLACK & DECKER, BLACK + DECKER, les logos et noms de produits BLACK & DECKER et BLACK + DECKER, ainsi que la palette de couleurs orange et noir sont des marques de commerce de The Black & Decker Corporation, utilisées sous licence. Tout droit réservé.

Product in this box may differ slightly from that pictured. Does not affect function. Not all accessories shown in photography are included in this package.

El producto en esta caja puede diferir ligeramente del representado en las imágenes. Esto no afecta su función. No todos los accesorios mostrados en las fotografías son incluidos en este paquete.

Le produit dans cette boîte peut différer légèrement de celui illustré. N'affecte pas la fonction. Pas tous les accessoires présentés dans la photographie sont inclus dans ce paquet.

Imported by W Appliance, Inc., 1356 Broadway, New York, NY 10018  
Customer Service: 844-299-0879

Importado por W Appliance, Inc., 1356 Broadway, New York, NY 10018  
Servicio al Cliente: 844-299-0879

Importé par W Appliance, Inc., 1356 Broadway, New York, NY 10018  
Service À La Clientèle: 844-299-0879