



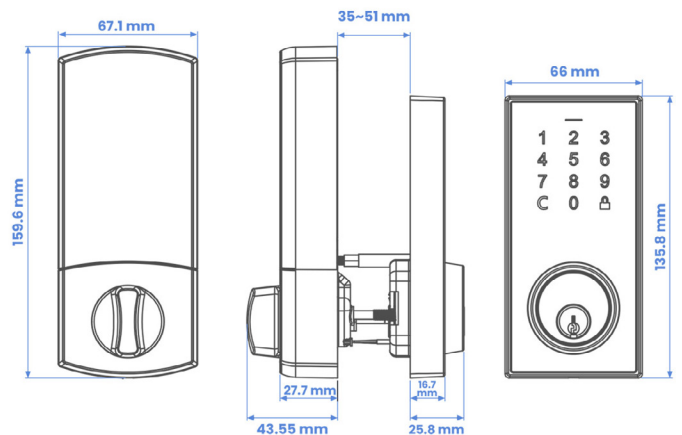
Bluetooth Deadbolt Smart Lock with Touchpad

PRODUCT SPECIFICATIONS

Lock Type	Bluetooth deadbolt
Door Bore Hole	2-1: 8" / 54 mm or 1-1: 2" / 38 mm
Door Thickness	1-3: 8" / 35 mm to 2" / 51 mm
Adjustable Backset	2-3: 8" / 60 mm and 2-3: 4" / 70 mm
Unlock Method	Mechanical key, Entry code, Mobile app
User Entry Code	Program up to 200 sets
Mobile App	iOS and Android compatible
Mobile App Control	Monitor, grant, and revoke access
Touch Screen Back-light Color	White
Fire Rated	UL 20 minute compliant
ANSI/BHMA	Grade 2 ANSI compliant
Connectivity	Bluetooth
Power	Four AA 1.5V alkaline batteries
Operating Temperature	-31 °F to 150.8 °F / -35 °C to 66 °C
Dimensions (W × D × H)	Exterior lock body: 2.59 × 1 × 5.34" / 66 × 25.8 × 135.8 mm Interior lock body: 2.64 × 1.7 × 6.28" / 67.1 × 43.55 × 159.6 mm
Weight	2.45 lbs / 1.11 kg



PRODUCT DIMENSIONS



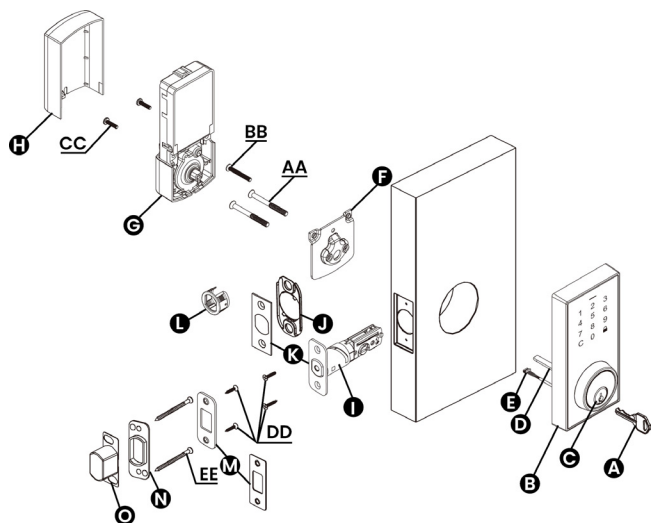
PACKAGE INFORMATION

Model	LK101-AA
Package Type	White Box with Sleeve
Package Weight	3.09 lbs / 1.4 kg
Package Dimensions (W × D × H)	7.09 × 8.46 × 4.17" / 180 × 214 × 105 mm
Package Cube	0.1447 ft ³ / 0.004 m ³
UPC	6-95529-05941-9



Bluetooth Deadbolt Smart Lock with Touchpad

PACKAGE CONTENTS



Part	Description	Quantity
A	Key	2
B	Exterior Assembly	1
C	Cylinder	1
D	Torque Blade	1
E	Power Cable	1
F	Mounting Plate	1
G	Interior Assembly	1
H	Battery Cover	1
I	Latch	1
J	Bottom Plate (Optional)	1
K	Square or Round Faceplate (Optional)	1
L	Drive-in Collar (Optional)	1
M	Strike Plate	1
N	Reinforced Strike Plate	1
O	Dust Box	1
AA	2-1/16" (52 mm) Mounting Bolt	2
BB	1-1/4" (31.7 mm) Screw [Hole sizes \varnothing 2-1/8" (54 mm)]	1
CC	3/4" (19 mm) Screw	2
DD	3/4" (19 mm) Wood Screw	4
EE	3" (76 mm) Wood Screw	2