

VS-74S Compact Vacuum Sealer

Care/Use Guide

Scelleuse Sous Vide Compacte

Guide D'entretien et D'utilisation



NESCO®

Your Key Ingredient For Food Preservation™

NESCO® Your Key Ingredient For Food Preservation™



Thank you for purchasing a NESCO Vacuum Sealer. There is nothing better than knowing you are preserving delicious foods for you and your family. We have been creating kitchen products and accessories for many years and are excited to share our knowledge and welcome more enthusiasts to the world of home preservation.

Questions?

NESCO Customer Service is available
8 am to 4 pm CST.

Email: nescocs@nesco.com

Phone: 1-800-288-4545

Live Chat at www.nesco.com



Warranty/Registration

Please see warranty info included on
the package and in this guide.
This guide is available at Nesco.com



Returns

Please do not return this item to the
place of purchase. If you are missing
any parts or need assistance, contact
NESCO Customer Service.

Table of Contents

Important Safeguards	1
Component List	2
Operating Instructions	4
Care & Cleaning.....	4
Vacuum Sealing Tips.....	5
Troubleshooting	6
One-Year Limited Warranty.....	7

Table des matières

Garanties importantes	9
Liste des Composants.....	10
Mode d'Emploi	12
Entretien et Nettoyage.....	12
Conseils Pour la Mise Sous Vide.....	13
Dépannage	14
Garantie Limitée d'un an.....	15

"NESCO" is a registered trademark of The Metal Ware Corp

Technical Specifications:

Model: VS-74S / NESCO Compact Vacuum Sealer

Input: 120 Volts / 60Hz / 100 Watts

Visit us at
nesco.com

Follow us on



#YourKeyIngredient

IMPORTANT SAFEGUARDS

- This product is designed for household use only -

When using electrical appliances, basic safety precautions should always be followed, including the following:

1. **READ ALL INSTRUCTIONS BEFORE USING THIS APPLIANCE.**
2. Do not touch hot surfaces. Use handles or knobs.
3. To protect against electrical shock do not immerse cord or plugs, in water or other liquid.
4. Close supervision is necessary when any appliance is used by or near children. This appliance is not recommended for use by children.
5. Unplug from outlet when not in use and before cleaning. Allow to cool before putting on or taking off parts.
6. Do not operate any appliance with a damaged cord or plug or after the appliance malfunctions or has been damaged in any manner. Contact NESCO Customer Service.
7. The use of accessory attachments not recommended by the appliance manufacturer may cause injuries.
8. Do not use outdoors. Do not use appliance for other than intended use.
9. Do not let cord hang over edge of table or counter or touch hot surfaces.
10. Do not place on or near a hot gas or electric burner, or in a heated oven.
11. Always attach plug to appliance first, then plug cord into the wall outlet. To disconnect, turn any control to "off", then remove plug from wall outlet.
12. Appliance is not intended for commercial use.
13. Operate appliance only when all parts are fully engaged and tightened.
14. To reduce risk of injury and damage to appliance keep hands, hair, clothing and utensils away from parts during operation.
15. Place appliance on flat and steady support surface when ready for use.
16. Appliance is not designed for continuous use. Approved for one operating cycle every two minutes.

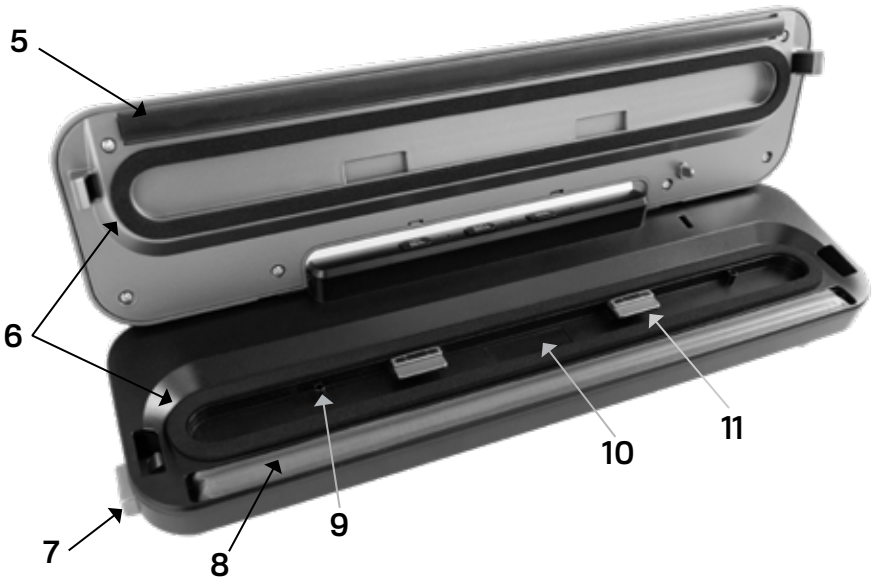
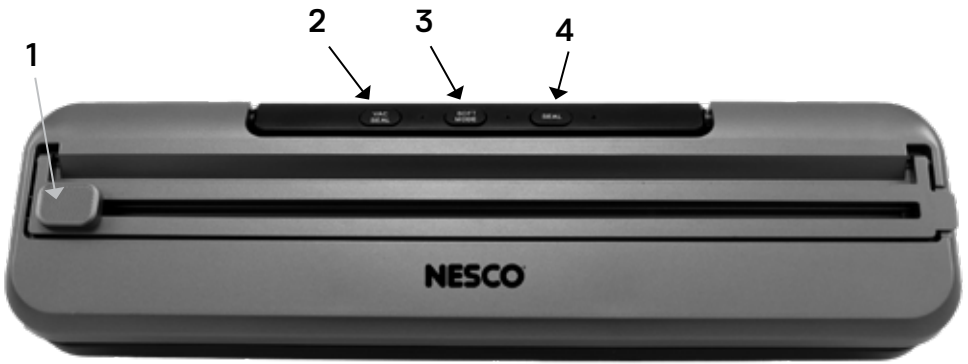
SAVE THESE INSTRUCTIONS

POLARIZED PLUG: This appliance has a polarized plug (one blade is wider than the other). To reduce risk of electric shock, plug is intended to fit into polarized outlet only one way. If the plug does not fit fully into the outlet, reverse the plug. If it still does not fit, contact a qualified electrician. Do not try to modify the plug in any way.

SHORT CORD INSTRUCTIONS: A short power supply cord is provided to reduce the risk resulting from becoming entangled in or tripping over a longer cord. Extension cords may be used if care is exercised in their use. If an extension cord is used, the marked electrical rating of the cord should be at least as great as the electrical rating of the appliance. The longer cord should be arranged so that it will not drape over the tabletop where it can be pulled on by children or tripped over unintentionally.

EXTENSION CORDS: May be used if care is exercised. If an extension cord is used, the marked electrical rating of the cord should be at least as great as the electrical rating of the appliance. A longer cord should be arranged so that it will not drape over the tabletop where it can be pulled on by children or tripped over unintentionally.

Component List



1. **Bag & Roll Cutter and Guide** – Lift guide and place bag roll underneath. Press and slide cutter in any direction to cut bags or rolls to desired size.
2. **Vac Seal** – Pressing this button begins the automatic vacuum and sealing function. This operation can be canceled by pressing the button again.
3. **Soft Mode** – Select this function when less vacuum pressure is desired. Excellent for soft foods and delicate items. This operation can be canceled by pressing the button again.
When selecting the “Soft Mode” function the vacuum sealer will run a low vacuum cycle, stop and then seal. Near the end of the sealing process the vacuum will turn on for a few seconds to provide for an optimal seal.
4. **Seal** – Use this function to manually seal bags and rolls. The seal function can also be implemented during the vacuum & seal cycle, pressing the seal function button during the vacuum operation will cause the vacuum sealer to stop and the seal function will engage. This operation allows consumers to decide on the amount of vacuum desired, especially when sealing delicate items. This operation can be canceled by pressing the button again.
When selecting the “Seal” function the vacuum sealer will start the sealing process. Near the end of the sealing process the vacuum will turn on for a few seconds to provide for an optimal seal.
5. **Rubber Sealing Strip** – Heat-resistant rubber sealing strip applies pressure to the bag or rolls, holding them tightly against the sealing element when the seal function is activated.
6. **Foam Gaskets** – Upper and lower foam gaskets provide a seal to initiate the vacuuming process. Keep clean and dry or replace it when it is distorted, deformed or torn. To extend gasket life keep cover in the UNLOCKED position when not in use.
7. **Cover Release Buttons** – There are two located on either end side of the vacuum sealer. Press these when you desire to open the cover when it is in its locked position.
8. **Sealing Element** - Heating element, covered by a heat-resistant tape, seals bags and rolls during the seal function. Do NOT remove the protective tape that covers the element.
9. **Vacuum Port** – The vacuum is created thru this port, make sure that it is not blocked or impeded during operation.
10. **Vacuum Chamber** - Prior to vacuum sealing place bag material into the vacuum chamber up to the stops, make sure the bag opening is completely inside the vacuum chamber prior to locking down the cover.
11. **Bag Stops** – When positioning bag to be vacuum sealed, place open end of bag against these stops.

Operating Instructions

MAKING A BAG WITH THE ROLL

1. Place sealer on a flat and stable surface and insert plug into electrical outlet.
2. Move cutter blade to end of guide then lift cutter guide and pull the bag material from the roll (pull enough of the roll to hold items to be vacuum packed plus an additional 3 inches) then close the cutter guide. Press lightly on cutter guide while sliding cutter along guide to cut the bag material.
3. Open the cover.
4. Place one end of the bag material on the sealing strip and close the cover. Press down on the front corners of the cover until it snaps into its locked position.
5. Press the "seal" button to start the manual sealing process, the "seal" indicator light will illuminate.
6. When the "seal" indicator light turns off the vacuum sealer will automatically turn off and the sealing process will be completed.
7. Press the cover release buttons, open the cover and remove the sealed bag.

VACUUM PACKAGING YOUR FILLED BAG

1. Place items to be vacuumed sealed inside the bag.
2. Clean and straighten the open end of the bag, make sure there are no wrinkles or ripples that would impede sealing.
3. Open the vacuum sealer cover and place the open end of the bag in front of the bag stops located inside the removable vacuum chamber.
4. Lower the cover, press down on the front corners of the cover until it snaps into its locked position.
5. Select the appropriate settings for your application.
6. Press the "vac seal" or "soft mode" depending on the application. The unit will automatically vacuum and seal the bag. NOTE: This product has high pressure during vacuum packaging, in order to avoid crushing delicate items, observe the status of the items inside the bag and press the "seal" button immediately when the desired vacuum pressure is reached. The pump will stop and change to heat-seal the bag.
7. Press the cover release buttons, open the cover and remove the sealed bag.

Care & Cleaning

VACUUM SEALER

1. Unplug the unit before cleaning.
2. Clean the vacuum sealer with a damp sponge. Do not immerse in water.
3. Do not use abrasive cleaners as they will scratch the surface.
4. Dry thoroughly before storing.
When storing do not lock cover to prevent deformation of the gaskets.

BAGS

1. The bag material can be washed in warm water with dishwashing soap. Rinse the bags well and allow to dry thoroughly before reusing.
2. Bags can be washed on the top rack in your dishwasher by turning the bags inside out. Stand the bag up so the water can get inside the bag. Dry thoroughly before next use.

Note: Bags used to store greasy foods should not be re-used.

STORING YOUR VACUUM SEALER

1. Keep the unit in a flat and safe place, out of the reach of children.
2. **When not in use, keep handle in unlocked position to prevent the foam gaskets from compressing or deforming. If the gaskets become deformed it can affect the function and performance of the vacuum sealer.**

Vacuum Sealing Tips

- Don't overfill the bags; leave about 3 inches at the open end so that the bag can be placed more efficiently in the vacuum chamber.
- Clean and straighten the open end of the bag before sealing. Ensure no wrinkles or creases appear on the bag material, creased bags may be difficult to seal.
- Do not vacuum package objects with sharp points like fish bones and hard shells. Sharp points can penetrate and pierce or tear the bag.
- Freeze fruits and blanch vegetables before vacuum packing for best results.
- Hot liquids need to be cooled before vacuum packing. Hot liquids will bubble up and over the top of the bag when vacuum packed.
- Partially freeze meats before sealing.
- During vacuum sealing, small amounts of liquids, crumbs or food particles can be pulled into vacuum chamber, clean immediately as this will affect performance of the vacuum.
- Store perishable foods in the freezer or refrigerator. Vacuum packing extends the shelf life of foods but does not preserve them.
- Pantry items such as flour, rice, mixes for cakes and pancakes, all stay fresh longer when vacuum packed.
- Keep camping supplies such as matches, first aid kits and valuables, clean and dry.
- Keep silver and collectibles untarnished by vacuum sealing.
- Fill a bag about $\frac{2}{3}$ full with water, seal the end (don't vacuum). Freeze the bag and use for ice in the cooler or ice packs for first aid.

Troubleshooting

VACUUM SEALER LIGHTS BLINK AND FUNCTIONS CANNOT BE SELECTED

- Open the cover of the vacuum sealer then close cover and lock into place. Reselect operation.
- Make sure both cover locks on either side of the vacuum sealer are engaged.
- Allow vacuum sealer to cool down for one minute and retry selection.

VACUUM SEALER HAS NO POWER

- Check to see that the unit is plugged in. To test the electrical outlet, plug in another appliance such as a lamp.
- Vacuum sealer will shut off automatically if overheated. Allow to cool down for 15 minutes and try again.
- Check power cord and plug for damage. If damaged, do not use the vacuum sealer.

VACUUM SEALER DOES NOT PERFORM FIRST SEAL

- Make sure the bag end is properly positioned over sealing element and there are no creases or debris in bag material where the seal would be created.

VACUUM SEALER DOES NOT PULL A COMPLETE VACUUM

- To seal properly the open end of bag must be entirely inside vacuum chamber area.

- Check upper sealing strip and gaskets for obstructions. Wipe clean and ensure they are fully seated.
- Check the cover down all the way and locked in.
- Bag material may have a leak. To test, seal the bag with some air in it, submerge in water, and apply pressure. Bubbles indicate a leak. Reseal or use another bag.

VACUUM SEALER NOT SEALING BAG PROPERLY

- Should sealing element overheat and melt the bag, it may be necessary to lift the cover and allow the sealing element to cool for several minutes.

BAG LOSES VACUUM AFTER BEING SEALED

- Leaks along the seal can be caused by wrinkles, crumbs, grease or liquids. Wipe the top inside of the bag and smooth it out along the sealing element before sealing.
- Check the bag for a puncture or hole which may have released the vacuum.
- Cushion sharp edges on contents in bag with paper towels.

One-Year Limited Warranty

The Metal Ware Corporation warrants the original purchaser that your product will be free from defects in material and workmanship for a period of one year from date of purchase. Product must be used for personal or sole household usage in accordance with the instructions. Should your product prove defective within one year from date of purchase, contact NESCO customer service team at 1-800-288-4545 or nescocs@nesco.com with an explanation of the claim. If a viable warranty claim is determined, a customer service member will provide you with the necessary details to have your unit replaced. Under this limited time warranty, we undertake to replace any parts found to be defective at our sole discretion. This limited time warranty is void if the unit is connected to an unsuitable electrical supply or dismantled or interfered with in any way or damaged through misuse. This warranty is not transferable.

LIMITATION OF REMEDIES AND DAMAGES: Except for the limited time warranty and remedies expressly stated above, the Metal Ware Corp shall not be liable to you, or to anyone claiming by or through you, for any obligations or liabilities, including, but not limited to, obligations or liabilities arising out of breach of contract, breach of warranty, statutory claims, negligence or other tort or any theory of strict liability, with respect to the product or the Metal Ware Corp's acts or omissions or otherwise. Buyer agrees that in no event shall the Metal Ware Corp be liable for incidental, compensatory, punitive, consequential, indirect, special or other damages. Warranty does not cover consequential or incidental damages such as property damage and does not cover incidental costs and expenses resulting from any breach of this warranty, even if foreseeable. Some states or provinces do not allow the exclusion or limitations of incidental or consequential damages, so the above limitation or exclusion may not apply to you depending on the state or province of purchase.

You may register your product on our website but will need to retain a copy of your proof of purchase should a warranty issue arise. We suggest you staple your receipt to this care and use guide.

<https://www.nesco.com/customer-service/warranty-registration>

NESCO® Your Key Ingredient For Food Preservation™



Merci d'avoir acheté une machine sous vide NESCO. Il n'y a rien de mieux que de savoir que vous conservez de délicieux aliments pour vous et votre famille. Nous créons des produits et accessoires de cuisine depuis de nombreuses années et sommes ravis de partager nos connaissances et d'accueillir davantage de passionnés dans le monde de la préservation de la maison.

Des Questions?

Le service client NESCO est disponible
8 h à 16 h CST.

Email: nescocs@nescocom
Phone: 1-800-288-4545
Live Chat at www.nescocom



Garantie/Enregistrement

Veillez consulter les informations de
garantie incluses sur
le paquet et dans ce guide.
Ce guide est disponible sur Nesco.com



Retour

Veillez ne pas retourner cet article
au lieu d'achat. S'il vous manque des
pièces ou si vous avez besoin d'aide,
contactez le service client NESCO.

Table des matières

Garanties importantes	9
Liste des Composants.....	10
Mode d'Emploi	12
Entretien et Nettoyage.....	12
Conseils Pour la Mise Sous Vide.....	13
Dépannage	14
Garantie Limitée d'un an.....	15

Visit us at
nescocom

Follow us on



#YourKeyIngredient

"NESCO" est une marque de commerce enregistrée de la
société The Metal Ware Corp

Spécifications techniques:

Modèle : VS-74S / Scelleuse Sous Vide Compacte NESCO
Entrée : 120 Volts / 60Hz / 100 Watts

GARANTIES IMPORTANTES

- Ce produit est conçu pour un usage domestique uniquement -

Lors de l'utilisation d'appareils électriques, des précautions de sécurité de base doivent toujours être suivies, notamment les suivantes:

1. **LISEZ TOUTES LES INSTRUCTIONS AVANT D'UTILISER CET APPAREIL.**
2. Ne touchez pas les surfaces chaudes. Utilisez des poignées ou des boutons.
3. Pour vous protéger contre les chocs électriques, ne plongez pas le cordon ou les fiches dans l'eau ou tout autre liquide.
4. Une surveillance étroite est nécessaire lorsqu'un appareil est utilisé par ou à proximité d'enfants. Cet appareil n'est pas recommandé pour une utilisation par des enfants.
5. Débranchez-le de la prise lorsqu'il n'est pas utilisé et avant le nettoyage. Laissez refroidir avant de mettre ou de retirer des pièces.
6. N'utilisez aucun appareil avec un cordon ou une fiche endommagé ou après un dysfonctionnement de l'appareil ou a été endommagé de quelque manière que ce soit. Contactez le service client NESCO.
7. L'utilisation d'accessoires non recommandés par le fabricant de l'appareil peut provoquer des blessures.
8. Ne pas utiliser à l'extérieur. N'utilisez pas l'appareil à des fins autres que celles prévues.
9. Ne laissez pas le cordon pendre du bord de la table ou du comptoir ou toucher des surfaces chaudes.
10. Ne pas placer sur ou à proximité d'un brûleur à gaz ou électrique chaud, ni dans un four chauffé.
11. Commencez toujours par brancher la fiche sur l'appareil, puis branchez le cordon dans la prise murale. Pour débrancher, éteignez n'importe quelle commande, puis retirez la fiche de la prise murale.
12. L'appareil n'est pas destiné à un usage commercial.
13. Utilisez l'appareil uniquement lorsque toutes les pièces sont complètement engagées et serrées.
14. Pour réduire le risque de blessures et de dommages à l'appareil, gardez les mains, les cheveux, les vêtements et les ustensiles éloignés des pièces pendant le fonctionnement.
15. Placez l'appareil sur une surface de support plate et stable lorsqu'il est prêt à l'emploi.
16. L'appareil n'est pas conçu pour une utilisation continue. Approuvé pour un cycle de fonctionnement toutes les deux minutes.

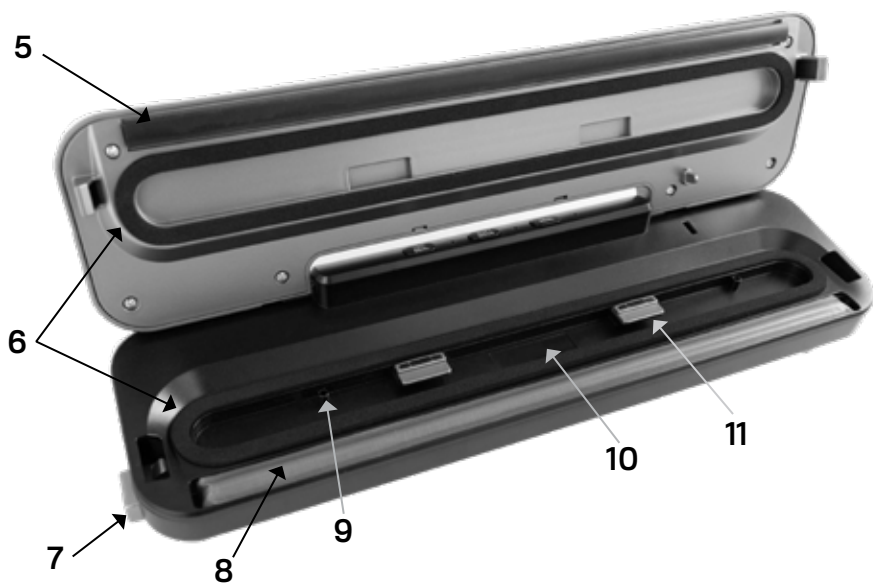
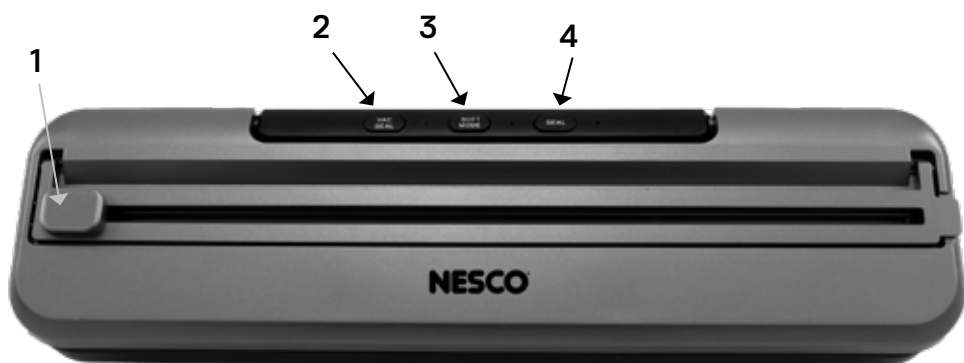
CONSERVEZ CES INSTRUCTIONS

PRISE POLARISÉE: Cet appareil est doté d'une fiche polarisée (une lame est plus large que l'autre). Pour réduire le risque de choc électrique, la fiche est destinée à s'insérer dans une prise polarisée dans un seul sens. Si la fiche ne rentre pas complètement dans la prise, inversez-la. Si cela ne convient toujours pas, contactez un électricien qualifié. N'essayez en aucun cas de modifier la fiche.

INSTRUCTIONS POUR LE CORDON COURT: Un cordon d'alimentation court est fourni pour réduire le risque de s'emmêler ou de trébucher sur un cordon plus long. Des rallonges peuvent être utilisées si des précautions sont prises lors de leur utilisation. Si une rallonge est utilisée, la puissance électrique indiquée du cordon doit être au moins aussi élevée que la puissance électrique de l'appareil. Le cordon le plus long doit être disposé de manière à ce qu'il ne pend pas sur le dessus de la table, où il pourrait être tiré par des enfants ou trébucher involontairement.

RALLONGES: peuvent être utilisées si des précautions sont prises. Si une rallonge est utilisée, la puissance électrique indiquée du cordon doit être au moins aussi élevée que la puissance électrique de l'appareil. Un cordon plus long doit être disposé de manière à ce qu'il ne pend pas sur le dessus de la table, où il pourrait être tiré par des enfants ou trébucher involontairement.

Liste des Composants



1. **Coupe-sac et Rouleau et Guide** – Soulevez le guide et placez le rouleau de sac en dessous. Appuyez et faites glisser le coupe-papier dans n'importe quelle direction pour couper les sacs ou les rouleaux à la taille souhaitée.
2. **Joint sous vide** – En appuyant sur ce bouton, la fonction automatique de vide et de scellage démarre. Cette opération peut être annulée en appuyant à nouveau sur le bouton.
3. **Mode Doux** – Sélectionnez cette fonction lorsque moins de pression de vide est souhaitée. Excellent pour les aliments mous et les articles délicats. Cette opération peut être annulée en appuyant à nouveau sur le bouton. **Lors de la sélection de la fonction "Mode doux", la machine sous vide exécutera un cycle de vide faible, s'arrêtera puis scellera. Vers la fin du processus de scellage, le vide s'allumera pendant quelques secondes pour assurer une étanchéité optimale.**
4. **Sceller** – Utilisez cette fonction pour sceller manuellement les sacs et les rouleaux. La fonction de scellage peut également être mise en œuvre pendant le cycle de mise sous vide et de scellage. En appuyant sur le bouton de fonction de scellage pendant l'opération sous vide, la machine sous vide s'arrêtera et la fonction de scellage s'enclenchera. Cette opération permet aux consommateurs de décider du niveau de vide souhaité, notamment lors du scellage d'articles délicats. Cette opération peut être annulée en appuyant à nouveau sur le bouton. **Lors de la sélection de la fonction « Sceller », la machine sous vide démarrera le processus de scellage. Vers la fin du processus de scellage, le vide s'allumera pendant quelques secondes pour assurer une étanchéité optimale.**
5. **Bande d'étanchéité en Caoutchouc** – La bande d'étanchéité en caoutchouc résistante à la chaleur applique une pression sur le sac ou les rouleaux, les maintenant fermement contre l'élément d'étanchéité lorsque la fonction d'étanchéité est activée.
6. **Joints en Mousse** – Les joints en mousse supérieur et inférieur fournissent une étanchéité pour lancer le processus de mise sous vide. Gardez-le propre et sec ou remplacez-le lorsqu'il est déformé, déformé ou déchiré. Pour prolonger la durée de vie du joint, gardez le couvercle en position DÉVERROUILLÉE lorsqu'il n'est pas utilisé.
7. **Boutons de Déverrouillage du Couvercle** – Il y en a deux situés de chaque côté de la machine sous vide. Appuyez dessus lorsque vous souhaitez ouvrir le couvercle lorsqu'il est en position verrouillée.
8. **Élément de Scellage** – Élément chauffant recouvert d'un ruban résistant à la chaleur, scelle les sacs et les rouleaux pendant la fonction de scellage. Ne retirez PAS le ruban de protection qui recouvre l'élément.
9. **Port de Vide** – Le vide est créé par ce port, assurez-vous qu'il n'est pas bloqué ou entravé pendant le fonctionnement.
10. **Chambre à Vide** - Avant de sceller sous vide, placez le matériau du sac dans la chambre à vide jusqu'aux butées, assurez-vous que l'ouverture du sac est complètement à l'intérieur de la chambre à vide avant de verrouiller le couvercle.
11. **Butées de Sac** – Lors du positionnement du sac à sceller sous vide, placez l'extrémité ouverte du sac contre ces butées.

Mode d'Emploi

FAIRE UN SAC AVEC LE ROULEAU

1. Placez le scellant sur une surface plane et stable et insérez la fiche dans la prise électrique.
2. Déplacez la lame du coupeur jusqu'à l'extrémité du guide, puis soulevez le guide du coupeur et retirez le matériau du sac du rouleau (tirez suffisamment du rouleau pour contenir les articles à emballer sous vide plus 3 pouces supplémentaires), puis fermez le guide du coupeur. Appuyez légèrement sur le guide du coupeur tout en faisant glisser le coupeur le long du guide pour couper le matériau du sac.
3. Ouvrez le couvercle.
4. Placez une extrémité du matériau du sac sur la bande de scellage et fermez le couvercle. Appuyez sur les coins avant du couvercle jusqu'à ce qu'il s'enclenche dans sa position verrouillée.
5. Appuyez sur le bouton "sceller" pour démarrer le processus de scellage manuel, le voyant "sceller" s'allumera.
6. Lorsque le voyant "sceller" s'éteint, la machine sous vide s'éteint automatiquement et le processus de scellage est terminé.
7. Appuyez sur les boutons de déverrouillage du couvercle, ouvrez le couvercle et retirez le sac scellé.

EMBALLAGE SOUS VIDE VOTRE SAC REMPLI

1. Placez les articles à mettre sous vide dans le sac.
2. Nettoyez et redressez l'extrémité ouverte du sac, assurez-vous qu'il n'y a pas de plis ou d'ondulations qui pourraient gêner la fermeture.
3. Ouvrez le couvercle de la machine sous vide et placez l'extrémité ouverte du sac devant les butées de sac situées à l'intérieur de la chambre à vide amovible.
4. Abaissez le capot, appuyez sur les coins avant du capot jusqu'à ce qu'il s'enclenche dans sa position verrouillée.
5. Sélectionnez les paramètres appropriés pour votre application.
6. Appuyez sur le bouton "vac seal" ou "soft mode" selon l'application. L'appareil aspirera et scellera automatiquement le sac. REMARQUE: Ce produit a une pression élevée lors de l'emballage sous vide, afin d'éviter d'écraser les articles délicats, observez l'état des articles à l'intérieur du sac et appuyez immédiatement sur le bouton "sceller" lorsque la pression de vide souhaitée est atteinte. La pompe s'arrêtera et changera pour thermosceller le sac.
7. Appuyez sur les boutons de déverrouillage du couvercle, ouvrez le couvercle et retirez le sac scellé.

Entretien et Nettoyage

SCELLEUSE SOUS VIDE

1. Débranchez l'appareil avant de le nettoyer.
2. Nettoyez la machine sous vide avec une éponge humide. Ne pas immerger dans l'eau.
3. N'utilisez pas de nettoyants abrasifs car ils rayeraient la surface.
4. Séchez soigneusement avant de ranger. **Lors du stockage, ne verrouillez pas le couvercle pour éviter la déformation des joints.**

SACS

1. Le matériau du sac peut être lavé à l'eau tiède avec du savon à vaisselle. Rincez bien les sacs et laissez-les sécher complètement avant de les réutiliser.
2. Les sacs peuvent être lavés sur le panier supérieur de votre lave-vaisselle en les retournant. Relevez le sac pour que l'eau puisse pénétrer à l'intérieur du sac. Séchez soigneusement avant la prochaine utilisation.

Remarque: Les sacs utilisés pour conserver les aliments gras ne doivent pas être réutilisés.

STOCKAGE DE VOTRE SCHELLEUSE SOUS VIDE

3. Conservez l'appareil dans un endroit plat et sûr, hors de portée des enfants.
4. **Lorsqu'il n'est pas utilisé, maintenez la poignée en position déverrouillée pour éviter que les joints en mousse ne se compriment ou ne se déforment. Si les joints se déforment, cela peut affecter le fonctionnement et les performances de la machine sous vide.**

Conseils Pour la Mise Sous Vide

- Ne remplissez pas trop les sacs; laissez environ 3 pouces à l'extrémité ouverte afin que le sac puisse être placé plus efficacement dans la chambre à vide.
- Nettoyez et redressez l'extrémité ouverte du sac avant de le sceller. Assurez-vous qu'aucun pli ou pli n'apparaisse sur le matériau du sac, les sacs froissés peuvent être difficiles à sceller.
- N'emballez pas sous vide des objets pointus comme des arêtes de poisson et des coquilles dures. Les pointes pointues peuvent pénétrer et percer ou déchirer le sac.
- Congeler les fruits et blanchir les légumes avant de les emballer sous vide.meilleurs résultats.
- Les liquides chauds doivent être refroidis avant d'être emballés sous vide. Les liquides chauds bouillonnent sur le dessus du sac lorsqu'ils sont emballés sous vide.
- Congeler partiellement les viandes avant de sceller.
- Pendant la mise sous vide, de petites quantités de liquides, de miettes ou de particules alimentaires peuvent être aspirées dans la chambre à vide. Nettoyez-la immédiatement car cela affecterait les performances de la mise sous vide le vide.
- Conservez les aliments périssables au congélateur ou au réfrigérateur. L'emballage sous vide prolonge la durée de conservation des aliments mais ne les préserve pas.
- Articles de garde-manger tels que farine, riz, mélanges pour gâteaux et crêpes, tous restent frais plus longtemps lorsque emballé sous vide.
- Gardez les fournitures de camping telles que les allumettes, les troussees de premiers soins et les objets de valeur propres et secs.
- Gardez l'argent et les objets de collection intacts grâce à la mise sous vide.
- Remplissez un sac aux 2/3 environ avec de l'eau, fermez l'extrémité (ne passez pas l'aspirateur). Congelez le sac et utilisez-le pour la glace dans la glacière ou les blocs de glace pour les premiers soins.

Dépannage

LES VOYANTS DE LA MACHINE SOUS VIDE CLIGNOTENT ET LES FONCTIONS NE PEUVENT PAS ÊTRE SÉLECTIONNÉES

- Ouvrez le couvercle de la machine sous vide, puis fermez le couvercle et verrouillez-le en place. Resélectionnez l'opération.
- Assurez-vous que les deux verrous du couvercle de chaque côté de la machine sous vide sont engagés.
- Laissez la machine sous vide refroidir pendant une minute et réessayez la sélection.

LA SCELLANTE SOUS VIDE N'A PAS DE PUISSANC

- Vérifiez que l'appareil est branché. Pour tester la prise électrique, branchez un autre appareil tel qu'une lampe.
- La machine sous vide s'éteint automatiquement en cas de surchauffe. Laissez refroidir 15 minutes et essayer à nouveau.
- Vérifiez le cordon d'alimentation et la fiche pour déceler tout dommage. S'il est endommagé, n'utilisez pas la machine sous vide.

LA SCELLANTE SOUS VIDE N'EFFECTUE PAS LE PREMIER SCCELLEMENT

- Assurez-vous que l'extrémité du sac est correctement positionnée sur l'élément d'étanchéité et qu'il n'y a pas de plis ou de débris dans le matériau du sac là où le joint pourrait être créé.

LA SCELLANTE SOUS VIDE NE TIRE PAS UN VIDE COMPLET

- Pour sceller correctement, l'extrémité ouverte du sac doit être entièrement à l'intérieur de la zone de la chambre à vide.
- Vérifiez la bande d'étanchéité supérieure et les joints pour déceler toute obstruction. Essuyez et assurez-vous qu'ils sont entièrement assis.
- Vérifiez le couvercle jusqu'au bout et verrouillez-le.
- Le matériau du sac peut présenter une fuite. Pour tester, scellez le sac avec un peu d'air, plongez-le dans l'eau et appliquez une pression. Les bulles indiquent une fuite. Refermez ou utilisez un autre sac.

L'APPAREIL SOUS VIDE NE SCELLE PAS CORRECTEMENT LE SAC

- Si l'élément de scellage surchauffe et fait fondre le sac, il peut être nécessaire de soulever le couvercle et de laisser refroidir l'élément de scellage pendant plusieurs minutes.

LE SAC PERD LE VIDE APRÈS AVOIR ÉTÉ SCCELLÉ

- Les fuites le long du joint peuvent être causées par des plis, des miettes, de la graisse ou des liquides. Essuyez le haut à l'intérieur du sac et lissez-le le long de l'élément d'étanchéité avant de le sceller.
- Vérifiez le sac pour déceler une perforation ou un trou qui aurait pu libérer le vide.
- Coussiner les bords tranchants du contenu du sac avec du papier absorbant.

Garantie Limitée d'un an

Metal Ware Corporation garantit à l'acheteur d'origine que votre produit sera exempt de défauts de matériaux et de fabrication pendant une période d'un an à compter de la date d'achat. Le produit doit être utilisé pour un usage personnel ou domestique uniquement, conformément aux instructions. Si votre produit s'avère défectueux dans l'année suivant la date d'achat, contactez l'équipe du service client de NESCO au 1-800-288-4545 ou nescocs@nesco.com avec une explication de la réclamation. Si une réclamation viable au titre de la garantie est déterminée, un membre du service client vous fournira les détails nécessaires pour faire remplacer votre appareil. Dans le cadre de cette garantie à durée limitée, nous nous engageons à remplacer toute pièce jugée défectueuse à notre seule discrétion. Cette garantie à durée limitée est nulle si l'appareil est connecté à une alimentation électrique inadaptée, démonté, perturbé de quelque manière que ce soit ou endommagé suite à une mauvaise utilisation. Cette garantie n'est pas transférables.

LIMITATION DES RECOURS ET DES DOMMAGES : À l'exception de la garantie à durée limitée et des recours expressément énoncés ci-dessus, Metal Ware Corp ne sera pas responsable envers vous, ou envers toute personne réclamant par ou par votre intermédiaire, pour toute obligation ou responsabilité, y compris, mais sans s'y limiter : , obligations ou responsabilités découlant d'une rupture de contrat, d'une rupture de garantie, de réclamations légales, d'une négligence ou d'un autre délit ou de toute théorie de responsabilité stricte, en ce qui concerne le produit ou les actes ou omissions de Metal Ware Corp ou autre. L'acheteur accepte qu'en aucun cas Metal Ware Corp ne soit responsable des dommages accessoires, compensatoires, punitifs, consécutifs, indirects, spéciaux ou autres. La garantie ne couvre pas les dommages consécutifs ou accessoires tels que les dommages matériels et ne couvre pas les coûts et dépenses accessoires résultant de toute violation de cette garantie, même prévisible. Certains états ou provinces n'autorisent pas l'exclusion ou les limitations des dommages accessoires ou consécutifs, de sorte que la limitation ou l'exclusion ci-dessus peut ne pas s'appliquer à vous selon l'état ou la province d'achat.

Vous pouvez enregistrer votre produit sur notre site Web, mais vous devez conserver une copie de votre preuve d'achat en cas de problème de garantie. Nous vous suggérons d'agrafer votre reçu à ce guide d'entretien et d'utilisation.

<https://www.nesco.com/customer-service/warranty-registration>



THANK YOU FOR CHOOSING NESCO®

We ensure 100% customer satisfaction and have a full-time, knowledgeable staff ready to assist you. Please email our customer service department at nescocs@nesco.com or call 1-800-288-4545.

For more products or recipes, visit nesco.com.



Follow us on

