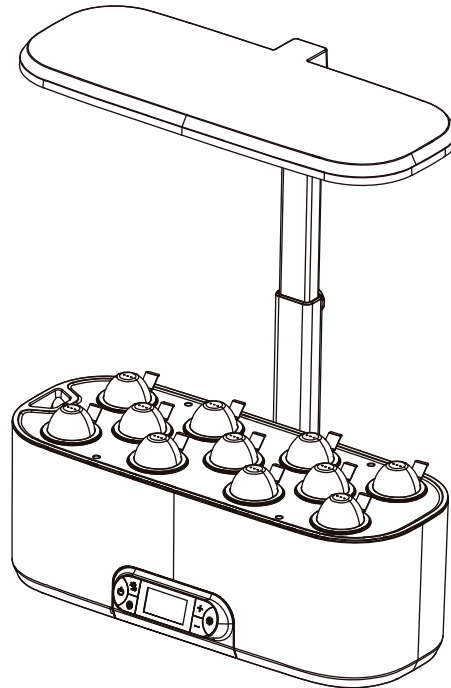


Sonic|grace

Hydroponics Growing System

USER MANUAL (No tools required)



MODEL: SC-MG207

IMPORTANT SAFETY INSTRUCTIONS

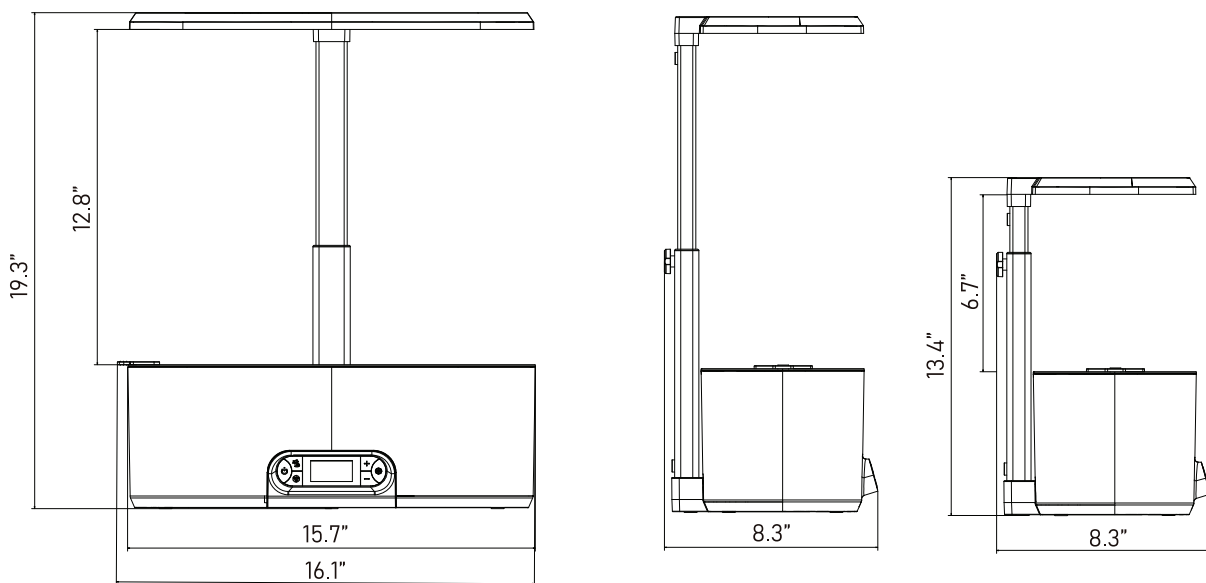
Read all instructions before using this indoor garden.

1. **WARNING- to reduce risk of burns, fire, electric shock, or injury to people.** Unplug from outlet before assembling, taking off or cleaning parts.
2. Please take proper precautions when operating the indoor garden near or by people requiring close supervision, children included.
3. This device's safety is guaranteed only if these instructions are followed properly, therefore they should be kept for any future maintenance.
4. Never operate indoor garden if it has a damaged cord or plug. If the cord or plug has been dropped, damaged or in water before, it may not working. If this happens, please contact customer service for assistance.
5. The cord or electrical components should not be exposed to any liquid or detergent.
6. Clean the indoor garden by using a damp, soft and clean cloth.
7. Do not use outdoors.
8. Do not allow water to touch hot LED lighting module.
9. Keep indoor garden away from any direct sources of heat (stove, furnace vents etc.).
10. Do not place or submerge cord, plug, LED lighting panel in water or other liquid to clean it.
11. Electrical wiring must be in accordance with local regulations by qualified technicians.
12. **This product is for household and residential use only.** It is not approved for commercial applications.
13. If the cord you received is damaged, it must be replaced by manufacturer in order to avoid hazard.
14. Do not use indoor garden for other intended use.
15. Any changed or modifications to this product are not expressly approved by the party responsible for compliance could void the user's authority to operate the equipment.

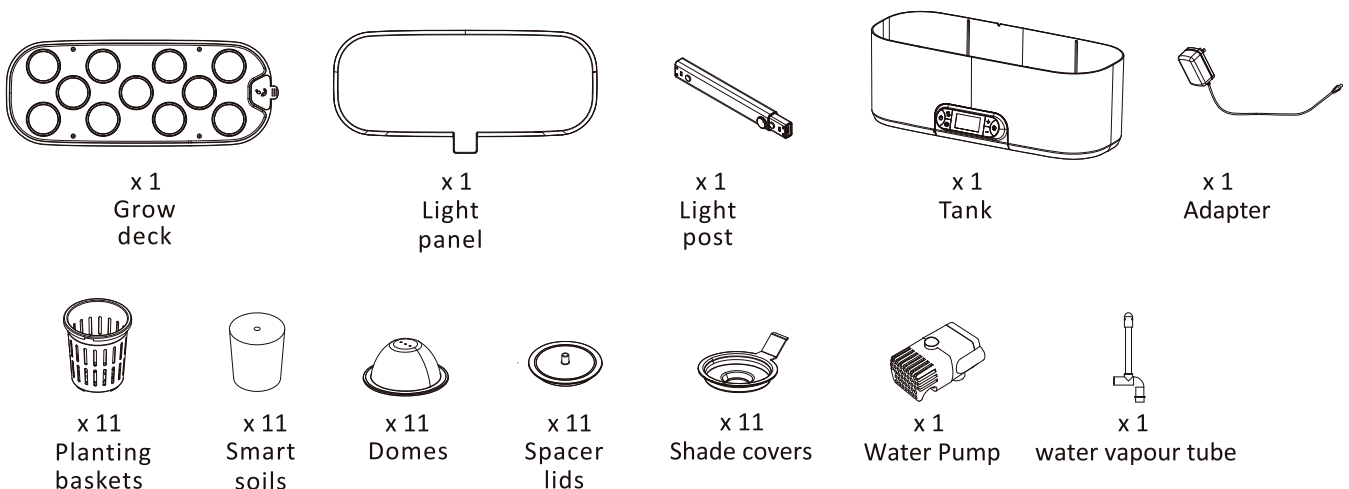
Parameter

Model No.	Power	Operating voltage	Input current	Spectrum
MG207	24W	100-240V	0.13A	1280K-4000K
CRI(Ra)	Life time	Device operation temperature	IP Rate	Installed size (Max.)
80	25000h	65-76°F	IP20	16.1X8.3X(13.4~19.3)inch

Dimensions



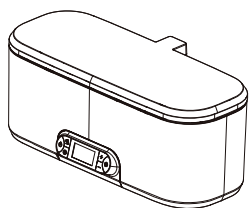
Included in Package



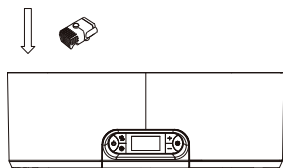
Note: The space lids are used to cover the holes on the grow deck where you don't want to grow anything sometimes and these lids can also efficiently prevent algae growth.

Assembly Guide

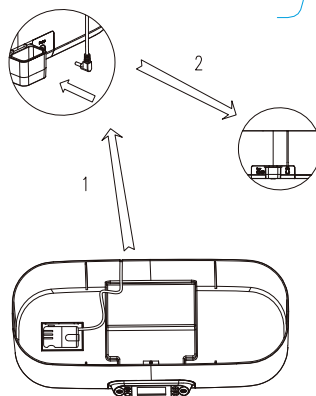
1



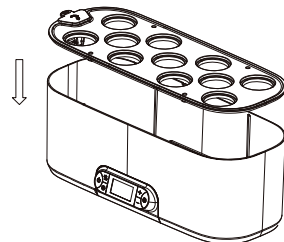
2



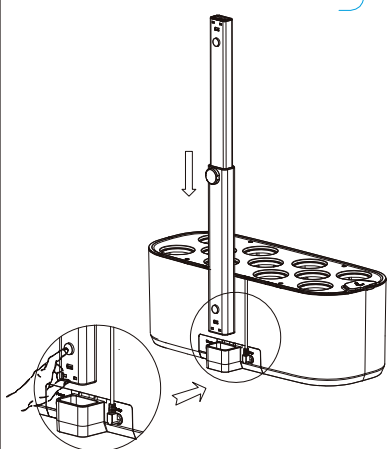
3



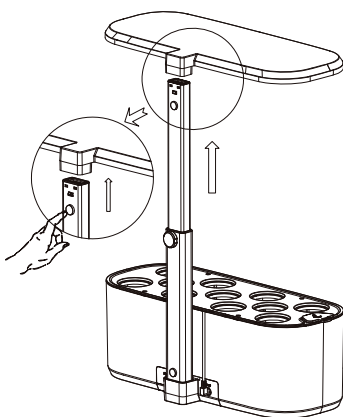
4



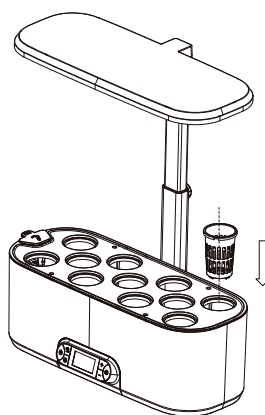
5



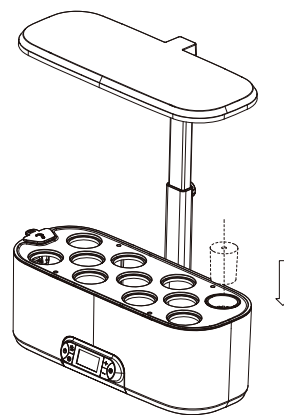
6



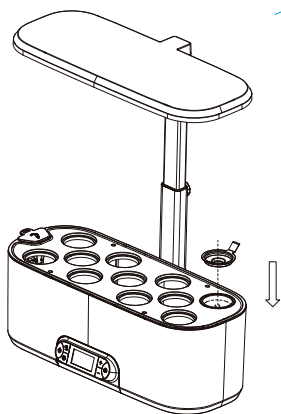
7



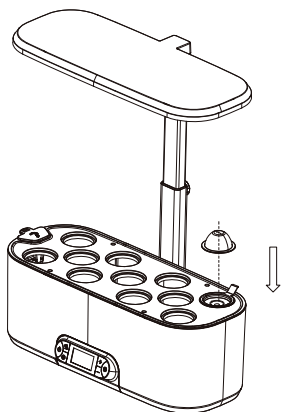
8



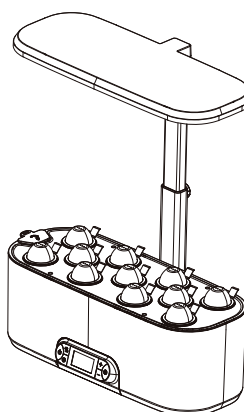
9



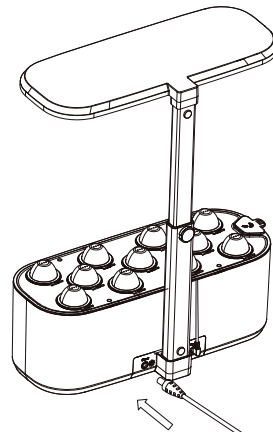
10



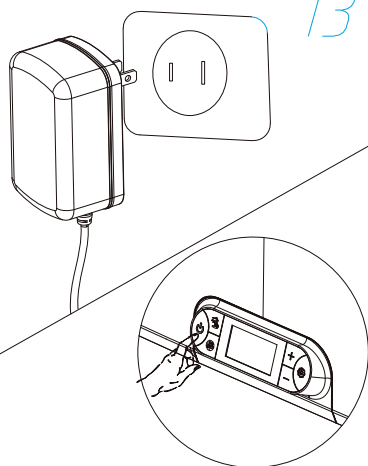
11



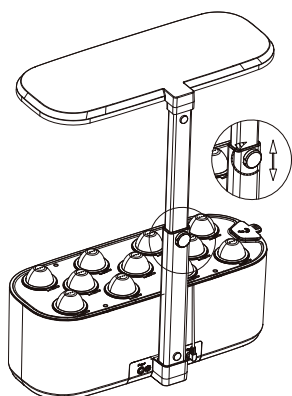
12



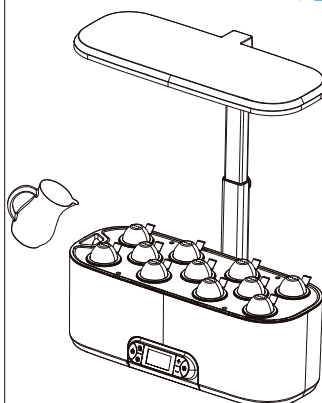
13



14



15

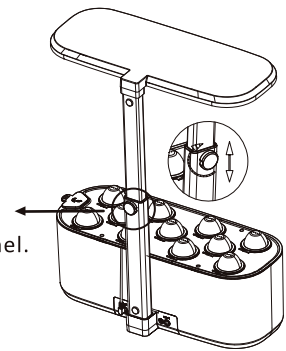


How to Raise and Lower the Light Panel

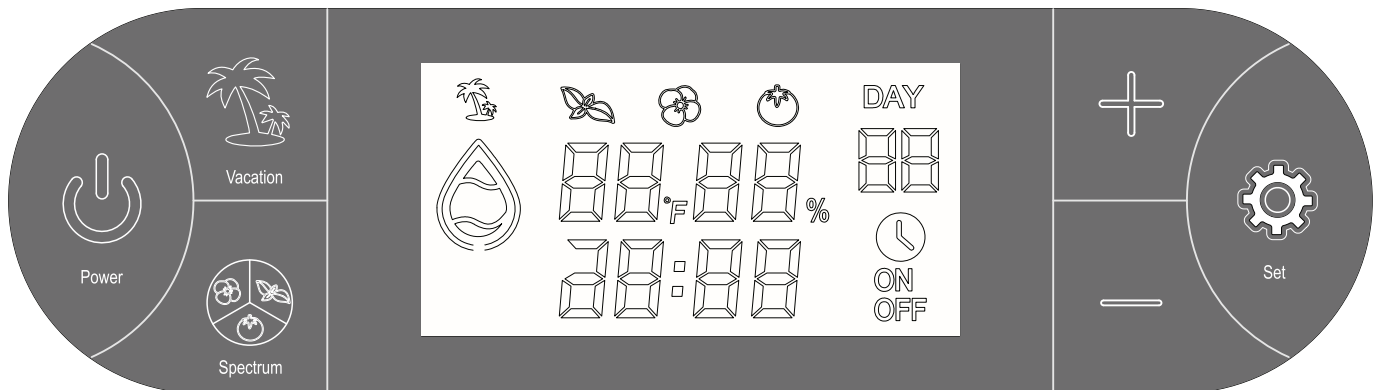
In order to raise or lower the light panel, you will need to loose the screw first, then adjust the upper part of the light post to raise or lower your light panel. Once you get the height you want, then tighten the screw to fix the light panel.

Note: When growing plants from seeds, the light panel should be set to the lowest position.

Loose the screw to adjust the height of the light post to raise or lower the light panel.



Control Panel Settings



1. Because this hydroponic growing kit has water level warning function, it will buzz when you plug in without water in the tank. So we suggest you to add the water to 25% level as soon as you hear the buzz sound.
2. SET: Set up the local time, Automatic Light turn on and turn off time, and Plant days
 - a) Press SET button once, set up the local Hour time , and press "+" or "-" to adjust the time
 - b) Press SET button twice, set up the local Minute time , and press "+" or "-" to adjust the time
 - c) Press SET button third time, and you will see the "ON" words are flickering on the screen, then set up the automatic light on Hour time , and press "+" or "-" to adjust the time
 - d) Press SET button fourth time, and you will see the "ON" words are flickering on the screen, then set up the automatic light on Minute time , and press "+" or "-" to adjust the time
 - e) Press SET button fifth time, and you will see the "OFF" words are flickering on the screen, then set up the automatic light off Hour time , and press "+" or "-" to adjust the time
 - f) Press SET button sixth time, and you will see the "OFF" words are flickering on the screen, then set up the automatic light off Minute time , and press "+" or "-" to adjust the time

For Herbs/Leafy Plants , we suggest at least 16 Hours on and 8 Hours off

For Flowers, we suggest at least 12 Hours on and 12 Hours off

For Vegetables and fruits, we suggest at least 16 Hours and 8 Hours off

When you press the "Set" button for more than 3 seconds, the planting day logo will flicker, and and press "+" or "-" to adjust the day number.

3. Power: Turn on the light to start your indoor growing journey. The light and pump will start working as soon as you press the power button

4. Spectrum: Set up the Spectrum for the plants that you plan to grow

- a) For Growing Herbs, Leafy Plants
- b) For Growing Flowers
- c) For Growing Vegetables and fruits

5. When you press "+" and "-" directly

When you press "+" or "-" directly, you could dim the light out put.

Press "+" button directly, the light will be stronger

Press "-" button directly, the light will be weaker

The light has 5 dimming steps

6. Vacation: When you leave home for a while, for example going on a business trip or journey , you could press this button And if you press this button twice, the vacation mode will be cancelled

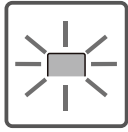
7. This logo shows the water level inside the water tank

8. When the water is below than low level(15%), the screen will be all bright and the buzzer will buzz.

So it will buzz when you plug in the machine without water in the tank. We suggest you to add the water to 25%, when you first use this hydroponic growing kit.

When the water is above than 90%, the screen will be all bright and this water droplet logo will continue flickering to remind you water is full for 3 minutes

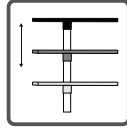
Functions



3 OPTIONAL
LIGHTING MODE



SELF-SETTING
SMART TIMER



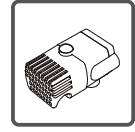
HEIGHT
ADJUSTABLE



5 STEP
DIMMABLE



ALL YEAR
AROUND



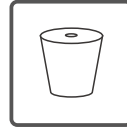
WATER PUMP



WATER SHORTAGE
REMINDER



CONTROL
BUTTON



SMART SOILS
(NO SEEDS)



TRANSPARENT
DOMES



SMART CONTROL
PANEL

Suitable Plants

Herbs: Basil, Parsley, Thyme, Mint, Sage, Chive, Dill etc.

Vegetables: Lettuce, Poblano Pepper, Micro Tom Tomato etc.

Flowers: Petunia, Lavender, Dianthus, Coreopsis, Gazania, Phlox etc.

Gardening Tips

1. What's the ideal temperature?

The ideal temperature is 65-76°F

2. How and when to adjust the lighting panel?

Make the lighting panel at the lowest place of the light post when you start to germinate the seeds. And when the seedlings start growing and get taller, then keep the lighting panel 1"-2" above the plants to make sure they get the right amount of light.

3. When to remove the domes?

Remove the transparent domes when the seedlings nearly touch the domes.

4. How many seeds shall I plant per pod?

The quantity of seeds depends on the size of the seeds and the germination rate of the seeds. If the seeds are big and high germination rate, then you can put only 1 or 2. If it's small and kinda low germination rate, then you should put 3-5 seeds.

Please don't forget to check the seed packet for information regarding temperature and days to germination. Make sure the packed date of the seeds is as new as it can be. If the seeds are old, they may not be able to be activated. After you get the seeds and use a few of them. It's better to keep seeds dry and cool. A temperature between 32° and 41°F is ideal, so your refrigerator can be a good place to store seeds.

5. How much water shall I add into the tank when I plant from seeds?

When you plant from seeds, then add water level till the Min. water level, you don't need to add water within the first 10 days as seeds don't need much water at the beginning.

When plants have more leaves and they will need more water, then add water below Min. water level but do not add too much water into the tank which exceeds the Max. water level mark on the indicator or higher than the Min. water level, both will hurt the plants' growth. Keep water level between the Min. and Max. Mark (blue area) is always a good choice.

6. How long will the nutrients in the smart soils last?

The smart soils themselves are already integrated with nutrients, the nutrients inside will last at least 3 months, so before no more extra plant food required.

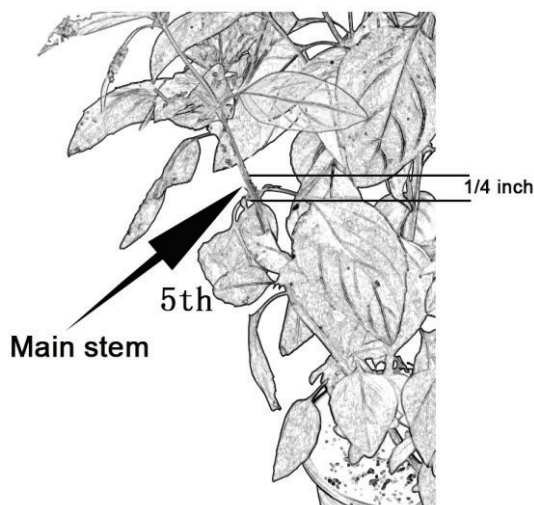
7. What are these space lids for?

The spacer lids are used to cover the holes you don't want to grow anything or expand the distance between pods. These covers are also for inhibiting algae growth.

8. How to prune herbs like basil when they are tall ?

Follow the main stem back to the previous leaf set and cut right above the 5th set of leaves(see attached picture 1 and 2). Cut the herb back about 1/4 inch above a node (the place where leaves come out). Leave a few inches of leaves (3 pairs recommended) on the plant after pruning.

Never take more than 1/3 of the plant when pruning. Pinching or cutting back basil plants regularly encourages full, bushy plants. Trim a basil plant every two to three weeks and pinch off the flower buds as soon as you see them.



Picture 1



Picture 2