



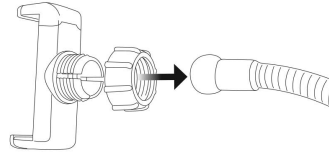
79 mm

PRODUCT PARTS INTRODUCTION

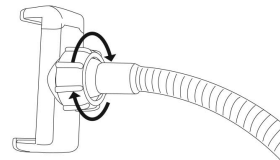


INSTALLATION

Step 1
Snap in smartphone clip into flexible arm, make sure locking ring is positioned in between.

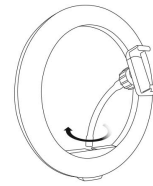


Step 2
Screw in ring.

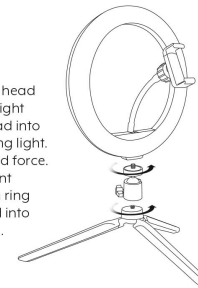


INSTALLATION

Step 3
Attach the phone clip with pivot mount by screwing into the ring light. Do not over twist and force. Mount should feel secure in ring light.

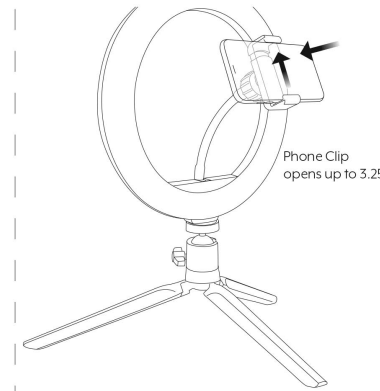


Step 4
Attach the 360° ball head into bottom of ring light by screwing ball head into the bottom of the ring light. Do not over twist and force. Ball head attachment should feel secure in ring light. Screw in tripod into bottom of ball head.



INSTALLATION

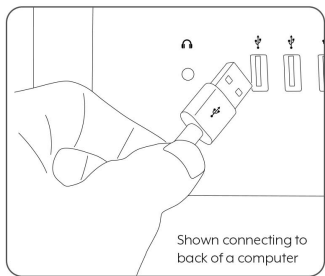
Step 5
Secure your smartphone into holder by opening the spring adjusted clamp. Insert smartphone.



SIDE A

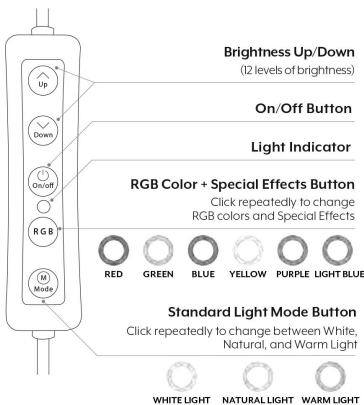
HOW TO USE

Connect USB cable from the LED light to a USB port, such as on a computer or USB wall charger. A light will appear on the interface of the remote, you are connected. Press power button **ON/OFF** on the remote to turn on the ring light.



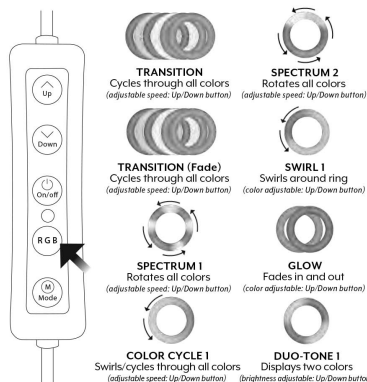
HOW TO USE (Remote Control)

Using the Remote



SPECIAL EFFECT MODES

The ring light illuminates 9 different colors + 8 Special Effect lighting modes. Click on the **RGB** button repeatedly to cycle through each RGB color and Special Effect.



FEATURES:

- 10" RGB LED ring light. Choose from nine (9) different colors, eight (8) special effect lighting modes, and twelve (12) levels of brightness.
- Easy to use in-line remote to power on/off and switch to the lighting color/effect mode you prefer. 10" RGB Ring light makes every photo and video more dynamic and fun.
- Compatible with most smartphones, phone clip opens up to 3.25".
- Great for vlogging, live videos, video chats, social media, live streaming, health and beauty videos, and more.
- USB powered – No battery required, works with most devices that have a USB port, such as on a computer, USB wall charger, etc.

SPECIFICATION:

- Ring light size: 10 in (diameter)
- Lamp beads: 150 total
- Color temperature: 3000-5000K
- Power: 10W
- Power Supply: USB Interface
- CRl: >85
- Light colors: 9 colors (Included white/warm/natural light), 8 special effects, 12 levels of brightness

Please read and follow these instructions.

Disclaimer:

This manual should be kept for future reference and maintenance purposes only. Be sure to review this manual and become familiar with its features before using this product. Please make sure to never change the light bulbs while plugged into an outlet or other power source. Do not open or charge wiring in anyway. Keep this product away from children. Clean this product often with a soft, dry cloth. This product shall ONLY be used with rated voltage and frequency. Do not try and alter power supply or adjust voltage. Avoid unplugging the power by pulling the power cord and do not touch the power cord with wet hands. Never attempt to insert any metal objects into the cooling holes of illuminators. Avoid moving the illuminator by pulling the power cable. Stop using this product if the unit is damaged, especially the power cord. Do not use in the rain, bath, or near water source. Please be aware that improper use or inappropriate repair can lead to fire or electrocution. Indoors use only. Please send back to Bower or contact customer service for issues regarding maintenance or repair. Make sure everything is secure before proceeding. Make sure the product is intact and that there are no missing parts. All photos and illustrations are for instruction purposes only.

LIMITED One (1) Year Limited Warranty

S. Bower Inc.™ One (1) Year Limited Warranty: This warranty gives you specific legal rights and you may have other rights which vary from state to state.

The S. Bower Inc.™ Limited Warranty is a voluntary manufacturer's warranty provided to the consumer. This warranty provides rights separate to rights provided by consumer law, including but not limited to those relating to non-conforming goods. S. Bower Inc.™ One-Year Limited Warranty benefits are in addition to, and not instead of, rights provided by consumer law and it does not exclude, limit or suspend a buyer's rights arising from consumer law. Consumers have the right to choose whether to claim services under the S. Bower Inc.™ One-Year Limited Warranty or under their consumer law rights. The S. Bower Inc.™ One-Year Limited Warranty terms and conditions shall not apply to consumer law claims, contact your local consumer organization.

Please note: All claims made under the S. Bower Inc.™ One-Year Limited Warranty will be governed by the terms set out in this warranty document. S. Bower Inc.™ warrants to the product owner that this product will be free against defects in materials and workmanship for a period of ONE (1) YEAR from the date of original retail purchase when used in accordance with S. Bower Inc.™'s user manual. Under this warranty, you will be able to send your claims and defective product to S. Bower Inc.™, via freight prepaid, along with proof of purchase, and will be repaired or replaced, based on S. Bower Inc.™ sole discretion. Repair and/or replacement may be made with new or refurbished product components at S. Bower Inc.™ sole discretion. This limited warranty does not cover failures due to abuse, accidental damage or when repairs have been made or attempted by anyone other than S. Bower Inc.™ personnel. A defective product meeting the warranty conditions set forth herein will be replaced or repaired at no charge in either of two ways: The first, which will result in exchanges only, is to return the product to the retailer from whom it was purchased (provided that the store is a participating retailer). Returns should be made within the time period of the retailer's policy for exchanges. Proof of purchase may be required. Please check with the retailer for its specific return policy regarding time limits for returns or exchanges. The second option is to send the product (prepaid freight) to S. Bower Inc.™ corporate offices located at S. Bower Inc. 46-24 28th Street 5th Floor Long Island City, NY 11101 for repair or replacement at S. Bower Inc.™'s option. Proof of purchase is required. Includes name, return address, and issues that you are experiencing with S. Bower Inc.™ products. All other guarantees, express or implied, are hereby disclaimed.

This warranty does not cover products sold outside of the United States.

©2021 S. Bower, Inc. All rights reserved.
All brand names and trademarks belong to their respective owners
S. Bower, Inc. LLC, NY 11101 www.BowerUSA.com