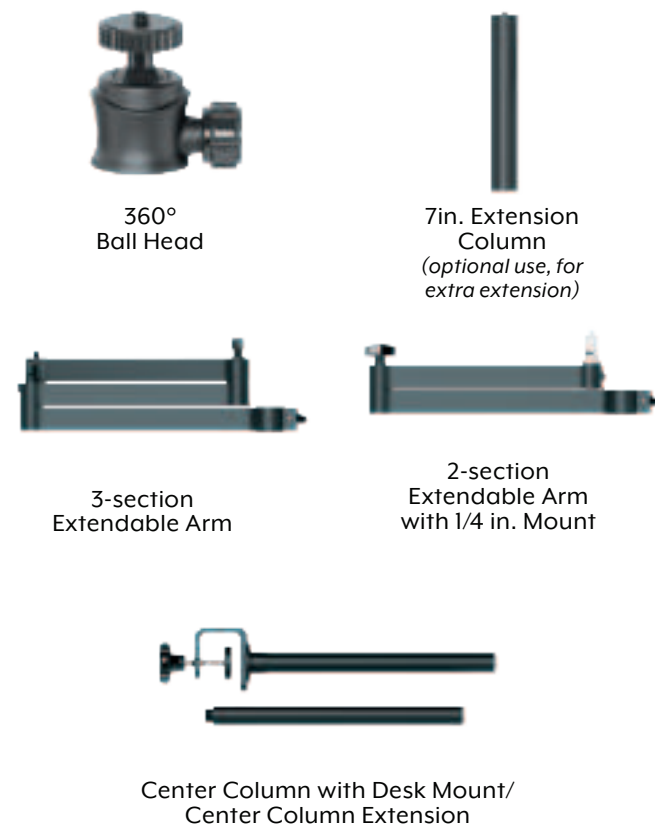


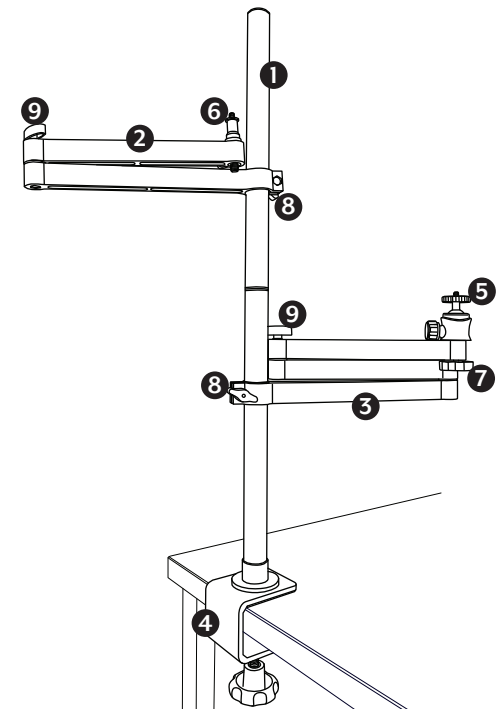


DESK MOUNT STAND
ALUMINUM CONSTRUCTION / ADJUSTABLE ARMS

IN THE BOX

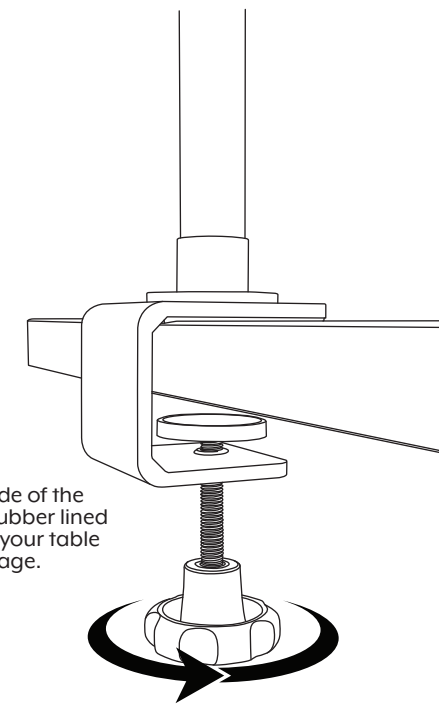


PRODUCT PARTS INTRODUCTION



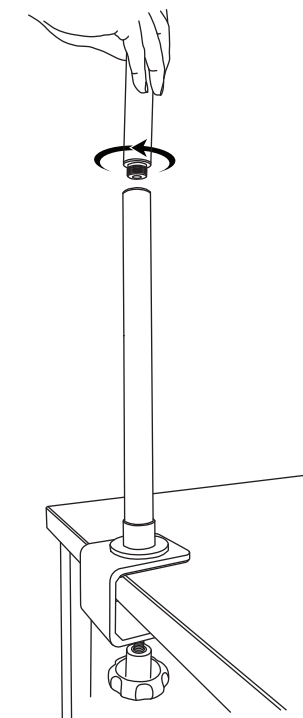
- 1) Center Column
- 2) 2-section Extendable Arm
- 3) 3-section Extendable Arm
- 4) Desk Mount (rubber lined)
- 5) 360° Ball Head
- 6) 1/4 in. Mount (3/8in. screw on bottom)
- 7) Screw Dial (attachment/detachment)
- 8) Locking Screw (secures arm position)
- 9) Locking Screw (secures arm joint position)

INSTALLATION (Center Column with Desk Mount)



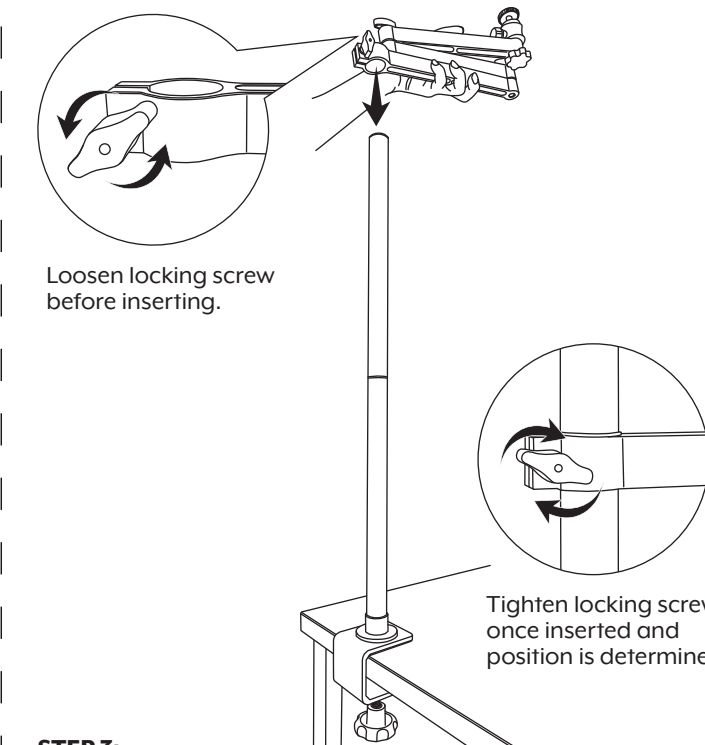
STEP 1: Mount the Center Column with Desk Mount on to a table/desk and rotate knob until firmly attached. Do not over tighten.

INSTALLATION (Center Column with Desk Mount)



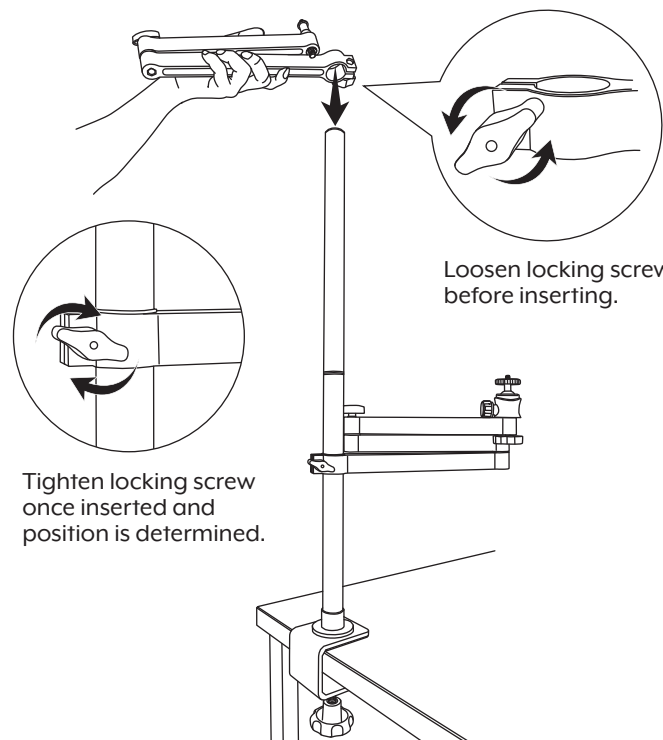
STEP 2: Attach Center Column Extension by screwing in. Screw in until firmly attached, do not over tighten.

INSTALLATION (3-section Extendable Arm)



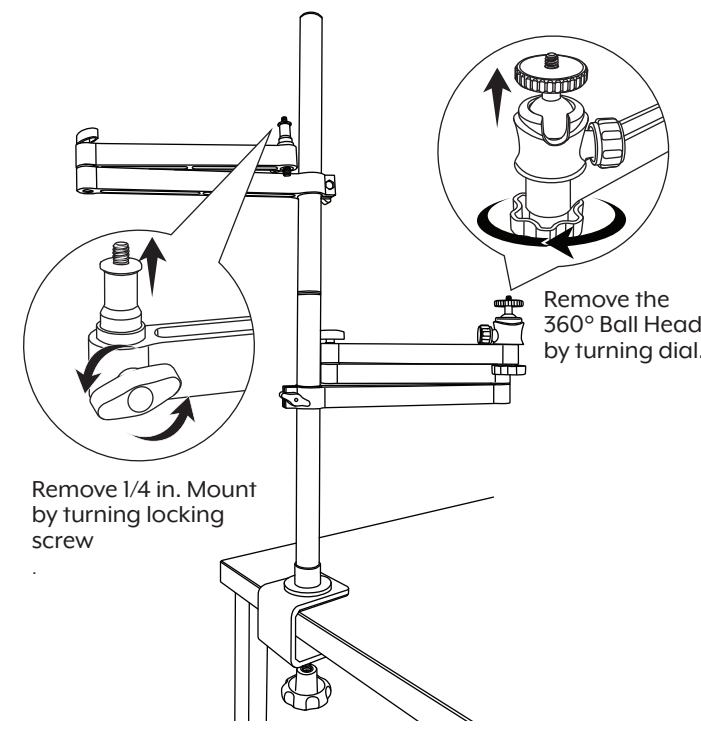
STEP 3: Loosen the locking screw on the 3-section arm and insert into the center column. Tighten locking screw once desired position is determined. Tighten firmly, but do not over tighten.

INSTALLATION (2-section Extendable Arm)



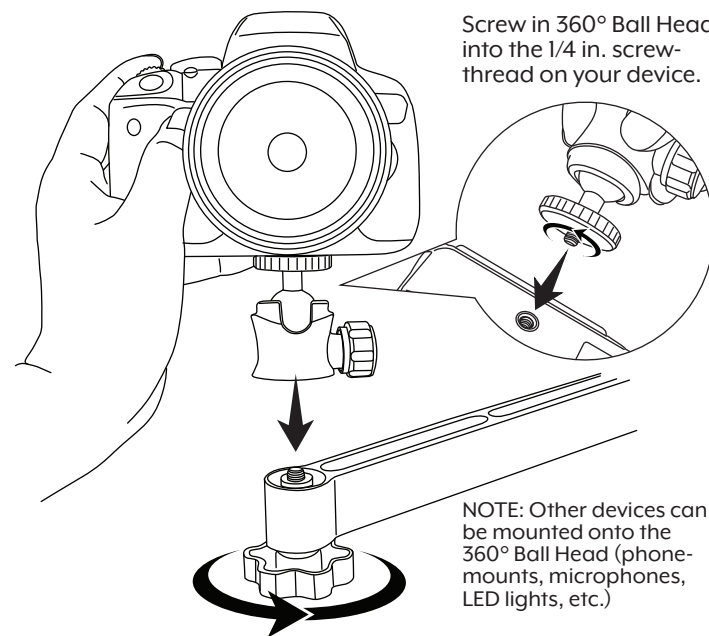
STEP 4: Loosen the locking screw on the 2-section arm and insert into the center column. Tighten locking screw once desired position determined. Tighten firmly, but do not over tighten.

INSTALLATION (Attaching devices)



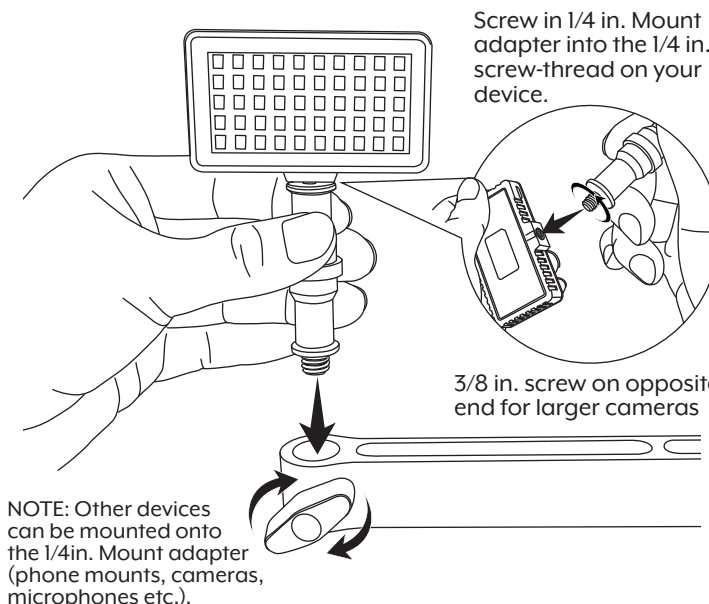
STEP 5: Remove 360° Ball Head and 1/4 in. Mount adapter from arms by unscrewing. It is recommended that both mounts be removed to attach your devices to them.

INSTALLATION (Attaching devices)



STEP 6: Once the 360° Ball Head is removed, tighten the dial on it so that the metal ball is firmly set in upright position. Screw in 360° Ball-Head into the 1/4 in. screw thread on your device. Screw in firmly, but do not over tighten. Once the 360° Ball Head is securely attached to your device, attach it to the 1/4 in. screw on the arm by turning the dial on it underneath.

INSTALLATION (Attaching devices)



STEP 7: Once the 1/4 in. Mount adapter is removed, screw it into the 1/4 in. screw thread on your device. Screw in firmly, but do not over tighten. Once the 1/4 in. Mount adapter is securely attached to your device, attach it to the the arm by inserting inside the socket and turning the locking screw to securely attach.

Specification:

- Material: Aluminum
- Clamp Opening: 1.9 in. (50mm) maximum opening
- Clamp Height: 2.8 in. (71mm)
- Height: 27.7 in. (70cm) center column height
- 2-section Arm Length: 19 in. (48cm) maximum, 10 in. (25cm) minimum
- 2-section Arm Weight Capacity: 6.6 lb. (3 kg) maximum
- 2-section Arm Weight: 1 lb. (467 g)
- 3-section Arm Length: 28 in. (71 cm) maximum, 10 in. (25cm) minimum
- 3-section Arm Weight Capacity: 3.3 lb. (1.5 kg) maximum
- 3-section Arm Weight: 1.3 lb. (602 g)
- Total Extension (both arms on center column): 48 in. (122cm) maximum, 12 in. (30cm) minimum
- Total Weight Capacity (both arms on center column): 9.9 lb. (4.5 kg) maximum (each arm holds a specific weight limit, see above)
- Product Size: 12 in. (30cm) width, 27.7 in. (70cm) height, 3.4 in. (8.6cm) depth
- Product Weight: 4lb (1858 g)

LIMITED One (1) Year Limited Warranty

S. Bower Inc.™ One (1) Year Limited Warranty: This warranty gives you specific legal rights and you may have other rights which vary from state to state. The S. Bower Inc.™ Limited Warranty is a voluntary manufacturer's warranty provided to the consumer. This warranty provides rights separate to rights provided by consumer law, including but not limited to those relating to non-conforming goods. S. Bower Inc.™ One-Year Limited Warranty benefits are in addition to, and not instead of, rights provided by consumer law and it does not exclude, limit or suspend a buyer's rights arising from consumer law. Consumers have the right to choose whether to claim service under the S. Bower Inc.™ One-Year Limited Warranty or under their consumer law rights. The S. Bower Inc.™ One-Year Limited Warranty terms and conditions shall not apply to consumer law claims, contact your local consumer organization. Please note: All claims made under the S. Bower Inc.™ One-Year Limited Warranty will be governed by the terms set out in this warranty document. S. Bower Inc.™ warrants to the product owner that this product will be free against defects in materials and workmanship for a period of ONE (1) YEAR from the date of original retail purchase when used in accordance with S. Bower Inc.™'s user manual. Under this warranty, you will be able to send your claims and defective product to S. Bower Inc.™, via freight prepaid, along with proof of purchase, and will be repaired or replaced, based on S. Bower Inc.™ sole discretion. Repair and/or replacement may be made with new or refurbished product components at S. Bower Inc.™ sole discretion. This limited warranty does not cover failures due to abuse, accidental damage or when repairs have been made or attempted by anyone other than S. Bower Inc.™ personnel. A defective product meeting the warranty conditions set forth herein will be replaced or repaired at no charge in either of two ways: The first, which will result in exchanges only, is to return the product to the retailer from whom it was purchased (provided that the store is a participating retailer). Returns should be made within the time period of the retailer's policy for exchanges. Proof of purchase may be required. Please check with the retailer for its specific return policy regarding time limits for returns or exchanges. The second option is to send the product (prepaid freight) to S. Bower Inc.™ corporate offices located at S. Bower Inc. 38-09 43rd Avenue 1st Floor Long Island City, NY 11101 for repair or replacement at S. Bower Inc.™'s option. Proof of purchase is required. Include name, return address, and issues that you are experiencing with S. Bower Inc.™ products. All other guarantees, express or implied, are hereby disclaimed. **This warranty does not apply to products sold in countries sold out of the United States.**