

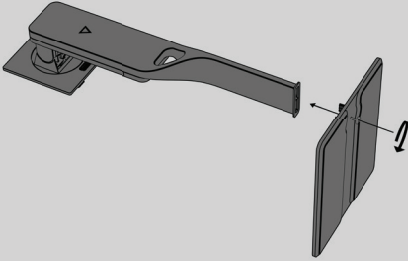


Spectrum Black

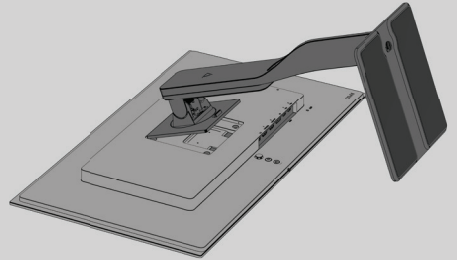
Quick start guide

Attach the stand

The Spectrum Stand (model ES07E31, sold separately) was designed from the ground up to be a sleek but sturdy companion to your monitor. To safely attach the Spectrum Stand, position the monitor face-down on a flat and stable surface.



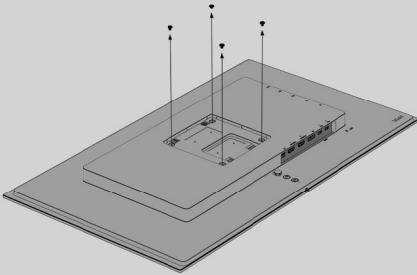
Slide the stand base into the bottom of the stand arm, and then tighten the screw on the underside of the base.



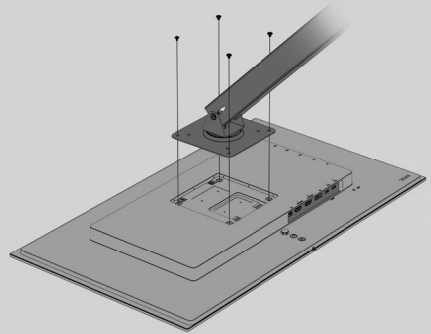
Insert the top of the stand into the back of the monitor housing at an angle, then press down. The stand will click into place.

or: Attach a VESA mount

Spectrum Black is compatible with most mounting arms and wall mounts (sold separately). The mounting device should support the 100x100mm VESA Mounting Standard and should be rated to hold at least 6.1kg of weight.



Remove the four mounting screws from the back of the monitor. You can re-use these to attach most mounting devices. If your mounting device comes with its own screws, use those instead.



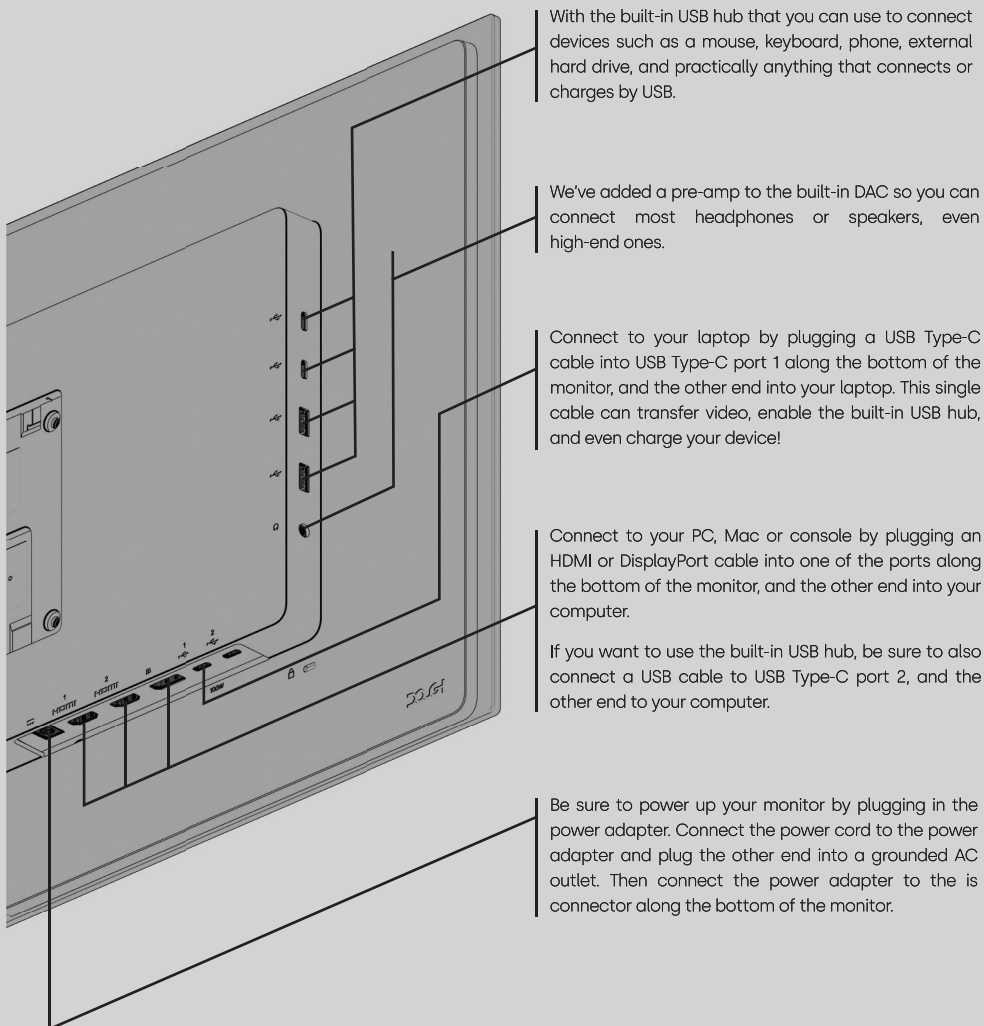
Align the screw holes on your mounting device with the four screw holes in the back of the monitor, then insert the four mounting screws through the mounting device and into the monitor and tighten them until the stand is securely attached.

Your mounting device may require different or additional steps. Always consult the instructions from the mounting device manufacturer before mounting the monitor.

Tip: To prevent damage to the screen, cover your work surface with protective sheet foam or a non-abrasive cloth. Alternatively, attach the stand while your monitor is still in the box.

Connect your cables

With so many ports available, it isn't surprising that not everyone intends to use the same cable types or cable lengths. Our surveys show that because of this, more than half the cables we could have included in the box would have gone to waste. That's not good for the environment, and it's not good for your wallet, either. With this in mind, we've decided to ship the monitor without cables.



With the built-in USB hub that you can use to connect devices such as a mouse, keyboard, phone, external hard drive, and practically anything that connects or charges by USB.

We've added a pre-amp to the built-in DAC so you can connect most headphones or speakers, even high-end ones.

Connect to your laptop by plugging a USB Type-C cable into USB Type-C port 1 along the bottom of the monitor, and the other end into your laptop. This single cable can transfer video, enable the built-in USB hub, and even charge your device!

Connect to your PC, Mac or console by plugging an HDMI or DisplayPort cable into one of the ports along the bottom of the monitor, and the other end into your computer.

If you want to use the built-in USB hub, be sure to also connect a USB cable to USB Type-C port 2, and the other end to your computer.

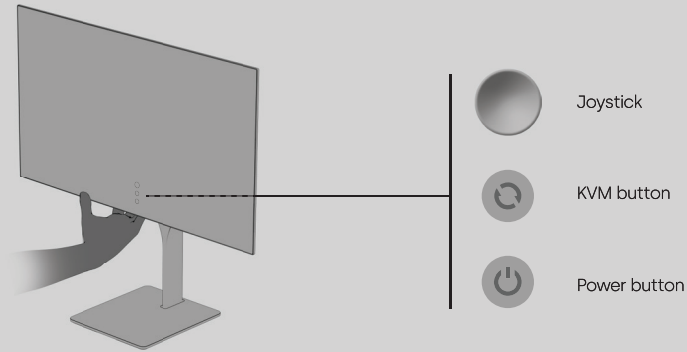
Be sure to power up your monitor by plugging in the power adapter. Connect the power cord to the power adapter and plug the other end into a grounded AC outlet. Then connect the power adapter to the is connector along the bottom of the monitor.

Tip: If you are using USB Type-C, remember that both your laptop and your cable must support DisplayPort Alt Mode for video output, USB data to enable the built-in hub, and USB Power Delivery for charging.

Tip: Before connecting the cables, take a moment to consider how to route the cables. A bit of planning and cable management goes a long way toward keeping your desk looking tidy!

Start using your new monitor

The controls are mounted on the back of the monitor, you can easily find them by reaching up the indicator light.



Press the power button on the back of the monitor to turn it on. The indicator light at the bottom of the monitor will light up when the monitor is active.

If there is no signal, Spectrum Black will enter standby mode. It will resume operation once a video signal is available again. Press the power button on the back of the monitor to turn it off completely.

To change Spectrum's settings, depress the joystick to open the on-screen display (OSD) menu. The bottom section of the OSD will show you the controls that are available to you at any given moment.

If the OSD menu is not active, then pressing the joystick in different directions will trigger quick actions. You can change the behavior of these quick actions in the OSD menu, but the defaults are:

- ↑ Pressing up will change the USB host device.
- ↓ Pressing down will change the video input source device.
- Pressing right will toggle the crosshair overlay on and off.
- ← Pressing left will cycle the frame counter overlay on and off, and changes its size.

The KVM button will let you quickly switch your monitor and connected USB devices between two computers. Because there are so many ports available, this requires a little bit of preparation to set up. You can find in-depth instructions in the full user manual.

There is much more to Spectrum Black than we can fit in this quick start guide. The full user manual can be downloaded from our website and contains detailed instructions and helpful tips.



You can find the user manual, product information, firmware updates, and more at <https://dough.tech>

HDMI™
HIGH-DEFINITION MULTIMEDIA INTERFACE

This product incorporates HDMI technology.