

---

## STEREO CASSETTE PLAYER WITH AM/FM RADIO



**MODEL: SCR-75  
USER MANUAL**

**PLEASE READ THIS USER MANUAL COMPLETELY BEFORE OPERATING  
THIS UNIT AND RETAIN THIS BOOKLET FOR FUTURE REFERENCE**

## COMPLIANCE WITH FCC REGULATIONS

This device complies with Part 15 of the FCC Rules. Operation is subject to the following two conditions:

- (1) This device may not cause harmful interference, and
- (2) This device must accept any interference received, including interference that may cause undesired operation.

This equipment has been tested and found to comply with the limits for a Class B Digital Device, pursuant to Part 15 of the FCC Rules. These limits are designed to provide reasonable protection against harmful interference in a residential installation. This equipment generates, uses and can radiate radio frequency energy and, if not installed and used in accordance with the instructions, may cause harmful interference to radio communications. However, there is no guarantee that interference will not occur in a particular installation. If this equipment does cause harmful interference to radio or television reception, which can be determined by turning the equipment off and on, the user is encouraged to try to correct the interference by one or more of the following measures:

- Reorient or relocate the receiving antenna.
- Increase the separation between the equipment and receiver.
- Connect the equipment into an outlet on a circuit different from that to which the receiver is connected.
- Consult the dealer or an experienced radio/TV technician for help.

### WARNING

**Changes or modifications to this unit not expressly approved by the party responsible for compliance could void the user's authority to operate the equipment.**

## Dear JENSEN Customer

Selecting fine audio equipment such as the unit you've just purchased is only the start of your musical enjoyment. Now it's time to consider how you can maximize the fun and excitement your equipment offers. This manufacturer and the Electronic Industries Association's Consumer Electronics Group want you to get the most out of your equipment by playing it at a safe level. One that lets the sound come through loud and clear without annoying blaring or distortion and, most importantly, without affecting your sensitive hearing. Sound can be deceiving. Over time your hearing "comfort level" adapts to higher volumes of sound. So what sounds "normal" can actually be loud and harmful to your hearing. Guard against this by setting your equipment at a safe level BEFORE your hearing adapts.

### To establish a safe level:

- Start your volume control at a low setting.
- Slowly increase the sound until you can hear it comfortably and clearly, and without distortion.
- Once you have established a comfortable sound level: Set the dial and leave it there.

Take a minute to do this now will help to prevent hearing damage or loss in the future. After all, we want you listening for a lifetime.

## We Want You Listening for a Lifetime

Used wisely, your new sound equipment will provide a lifetime of fun and enjoyment. Since hearing damage from loud noise is often undetectable until it is too late, this manufacturer and the Electronic Industries Association's Consumer Electronics Group recommend you avoid prolonged exposure to excessive noise.



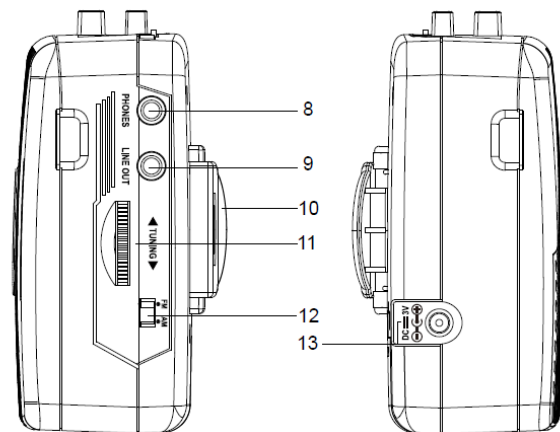
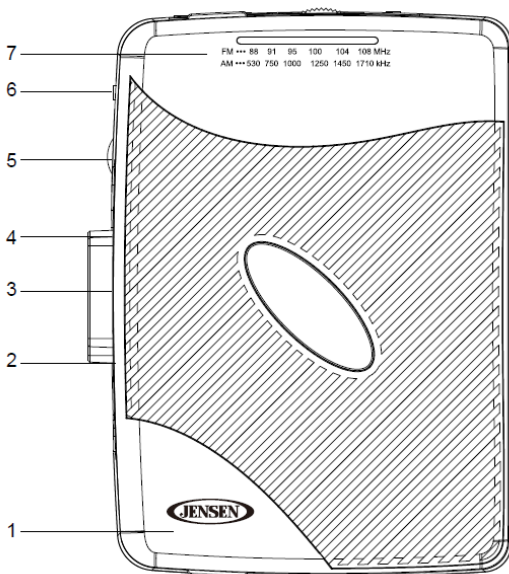
### Customer's Record:

The serial number of this product is found on its bottom. You should note the serial number of this unit in the space provided as a permanent record of your purchase to aid in identification in the event of theft or loss.

Model Number: SCR-75

Serial Number: \_\_\_\_\_

## LOCATION OF CONTROLS



- 1 CASSETTE DOOR
- 2 STOP ■ BUTTON
- 3 PLAY ► BUTTON
- 4 FAST FORWARD ►► BUTTON
- 5 VOLUME CONTROL
- 6 FUNCTION SELECTOR
- 7 DIAL SCALE

- 8 STEREO HEADPHONE JACK
- 9 LINE-OUT JACK
- 10 DETACHABLE BELT CLIP
- 11 TUNING CONTROL
- 12 AM/FM BAND SELECTOR
- 13 DC JACK

## POWER SOURCE

The SCR-75 operates on two 1.5V DC “AA” size (UM-3) alkaline batteries (Not Included) or with an AC-DC adaptor with 3V DC ~ 600mA output (Not Included).

### A. BATTERY OPERATION (BATTERIES NOT INCLUDED)

1. Open the battery door located on the back of the unit.
2. Follow the polarity diagram (+ and -) shown on the back of the cabinet, and insert 2 'AA' (UM-3) batteries (not included), and close the battery door.

**IMPORTANT:** Be sure that the batteries are installed correctly. Wrong polarity could damage the unit and void the warranty.


- Notes:**
- 1.) For best performance and longer operating time, we recommend the use of good quality alkaline battery.
  - 2.) The batteries need to be replaced when if the volume level becomes significantly lower, if the sound is distorted during operation or the unit no longer functions properly.

### BATTERY WARNING

- Be sure the batteries are installed correctly. Wrong polarity may damage the unit.
- Use only the size and type of batteries specified.
- Do not mix old and new batteries.
- Do not mix alkaline, standard (carbon-zinc) or rechargeable (nickel-cadmium) batteries.
- If the unit is not to be used for an extended period of time, remove the batteries. Old or leaking batteries can cause damage to the unit and may void the warranty.
- Do not try to recharge batteries not intended to be recharged; they can overheat and rupture. (Follow battery manufacturer’s directions).
- Do not dispose of batteries in fire, batteries may leak or explode.

### B. AC ADAPTOR OPERATION (AC ADAPTOR NOT INCLUDED)

1. Plug the cord of the AC adaptor into the DC IN JACK (#13) of the SCR-75.
2. Plug the AC adaptor into a household 120V/60Hz AC power outlet.
3. The batteries will automatically disconnect when the AC adaptor is plugged into the SCR-75 and the unit will operate using the AC adaptor power.

NOTE: Only use adaptor with an output voltage rated at DC 3V  600mA with a center positive plug.



## **RADIO OPERATION**

1. Plug the included earbuds into the STEREO HEADPHONE JACK (#8) located on the unit, and place the earbuds in your ears.
2. Switch the FUNCTION SELECTOR (#6) to "RADIO".
3. Switch the AM/FM BAND SELECTOR (#12) to "AM" or "FM" for the desired band.
4. Rotate the TUNING CONTROL (#11) to select the desired radio station.
5. Adjust the VOLUME CONTROL (#5) to obtain the desired sound level.
6. To turn the radio off, switch the FUNCTION SELECTOR (#6) to "TAPE".

## **TIPS FOR BEST RADIO RECEPTION**

1. The cord of the earbuds works as an external FM antenna. To insure maximum FM tuner reception, always keep the earbuds cord fully extended. Do not wind or fold the earbuds cord while listening to the radio.
2. When tuning a station in AM band, be sure to place the unit in a vertical position. For maximum AM tuner reception, keep turning the unit slowly while keeping it vertical until the best reception is obtained.

## **CASSETTE PLAYER OPERATION**

1. Plug the included earbuds into the STEREO HEADPHONE JACK (#8) located on the unit, and place the earbuds in your ears.
2. Set the FUNCTION SELECTOR (#6) to "TAPE" if required.
3. Open the CASSETTE DOOR (#1) and insert a pre-recorded cassette tape with the exposed tape facing upwards then close the CASSETTE DOOR (#1).
4. Press the PLAY ► BUTTON (#3) and adjust the VOLUME CONTROL (#5) to obtain the desired sound level.
5. Press the FAST FORWARD ►► BUTTON (#4) when you wish to rapidly advance the tape.
6. Press the STOP ■ BUTTON (#2) to switch off.

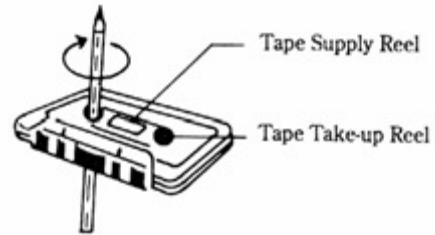
## **AUTO STOP**

To protect your cassette tapes and prevent unnecessary wear to the pinch roller of the cassette mechanism, this unit is equipped with an Automatic Stop System. When the tape ends during play or fast forwarding, the PLAY ► BUTTON (#3) will automatically release to stop the cassette from running.

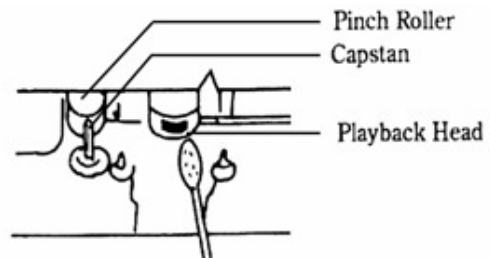
## **CASSETTE TAPE OPERATING TIPS**

1. High quality tapes are recommended to obtain maximum quality reproduction from recordings.
2. Tapes with playing time of 120 minutes (C-120) are not recommended because they contain thinner and longer tape that has a greater chance to malfunction and jam, which may damage the cassette mechanism.
3. To obtain good reproduction, the head should be cleaned after every 10 to 20 hours of use. It is also recommended that the cassette be kept away from excessive heat or cold.

4. If there is slack in the tape, remove the slack prior to inserting the cassette. To remove the slack, insert a pencil into the hub and rotate clockwise as shown:



5. A leader tape is provided at the beginning on each cassette. There is no recording on this area, so it is necessary to let the tape run for about five seconds to clear the head.
6. Keep the tape head clean since a dirty head can cause distorted sound or improper tape speed. Depress the PLAY ► BUTTON (#3) and use a small cotton swab with tape head cleaner or alcohol to clean the tape head, capstan and pinch roller as shown:



### **READ THIS IMPORTANT INFORMATION BEFORE USING YOUR EARBUDS**

1. Avoid extended play at very high volume as it may impair your hearing.
2. If you experience ringing in your ears, reduce the volume or shut off your unit.
3. Do not use while driving a motorized vehicle. This is dangerous and also illegal in some states.
4. Keep the volume at a reasonable level even if your headset is an open-air type designed to allow you to hear outside sounds. Please note excessively high volume may still block outside sounds.

## **LINE-OUT CONNECTION**

The SCR-75 features a 3.5mm stereo LINE-OUT JACK (#9) that allows you to connect it to your home stereo system, or to external amplified speakers using a stereo audio cable (not included).

The audio cable needed (not included) must have a 3.5mm stereo plug on one end for plugging into the SCR-75. The other end of the cord should have a stereo plug or individual left and right channel plugs that match the AUDIO LINE INPUTS on the device you want to connect to.

Once the SCR-75 is connected to the external device, the volume control on the SCR-75 will not adjust the volume. Use the volume control on the external device for adjusting the volume.

## **CARE AND MAINTENANCE**

1. Clean your unit with a damp (never wet) cloth. Solvent or detergent should never be used.
2. Avoid leaving your unit in direct sunlight or in hot, humid or dusty places.
3. Keep your unit away from heating appliances and sources of electrical noise such as fluorescent lamps or motors.



## 90 DAY LIMITED WARRANTY AND SERVICE VALID IN THE U.S.A. ONLY

SPECTRA MERCHANDISING INTERNATIONAL, INC. warrants this unit to be free from defective materials or factory workmanship for a period of 90 days from the date of original customer purchase and provided the product is utilized within the U.S.A. This warranty is not assignable or transferable. Our obligation under this warranty is the repair or replacement of the defective unit or any part thereof, except batteries, when it is returned to the SPECTRA Service Department, accompanied by proof of the date of original consumer purchase, such as a duplicate copy of a sales receipt.

You must pay all shipping charges required to ship the product to SPECTRA for warranty service. If the product is repaired or replaced under warranty, the return charges will be at SPECTRA's expense. There are no other express warranties other than those stated herein.

This warranty is valid only in accordance with the conditions set forth below:

1. The warranty applies to the SPECTRA product only while:
  - a. It remains in the possession of the original purchaser and proof of purchase is demonstrated.
  - b. It has not been subjected to accident, misuse, abuse, improper service, usage outside the descriptions and warnings covered within the user manual or non-SPECTRA approved modifications.
  - c. Claims are made within the warranty period.
2. This warranty does not cover damage or equipment failure caused by electrical wiring not in compliance with electrical codes or SPECTRA user manual specifications, or failure to provide reasonable care and necessary maintenance as outlined in the user manual.
3. Warranty of all SPECTRA products applies to residential use only and is void when products are used in nonresidential environment or installed outside the United States.

This warranty gives you specific legal rights, and you may also have other rights which vary from state to state. TO OBTAIN SERVICE please remove all batteries (if any) and pack the unit carefully and send it freight prepaid to SPECTRA at the address shown below. IF THE UNIT IS RETURNED WITHIN THE WARRANTY PERIOD shown above, please include a proof of purchase (dated cash register receipt) so that we may establish your eligibility for warranty service and repair of the unit without cost. Also include a note with a description explaining how the unit is defective. A customer service representative may need to contact you regarding the status of your repair, so please include your name, address, phone number and email address to expedite the process.

IF THE UNIT IS OUTSIDE THE WARRANTY PERIOD, please include a check for **\$10.00** to cover the cost of repair, handling and return postage. All out of warranty returns must be sent prepaid.

It is recommended that you contact SPECTRA first at 1-800-777-5331 or by email at [custserv@spectraintl.com](mailto:custserv@spectraintl.com) for updated information on the unit requiring service. In some cases, the model you have may be discontinued, and SPECTRA reserves the right to offer alternative options for repair or replacement.

SPECTRA MERCHANDISING INTERNATIONAL, INC.  
4230 North Normandy Avenue,  
Chicago, IL60634, USA. 1-800-777-5331

To register your product, visit the link on the website below to enter your information.  
<http://www.spectraintl.com/wform.htm>

0319

Printed in China