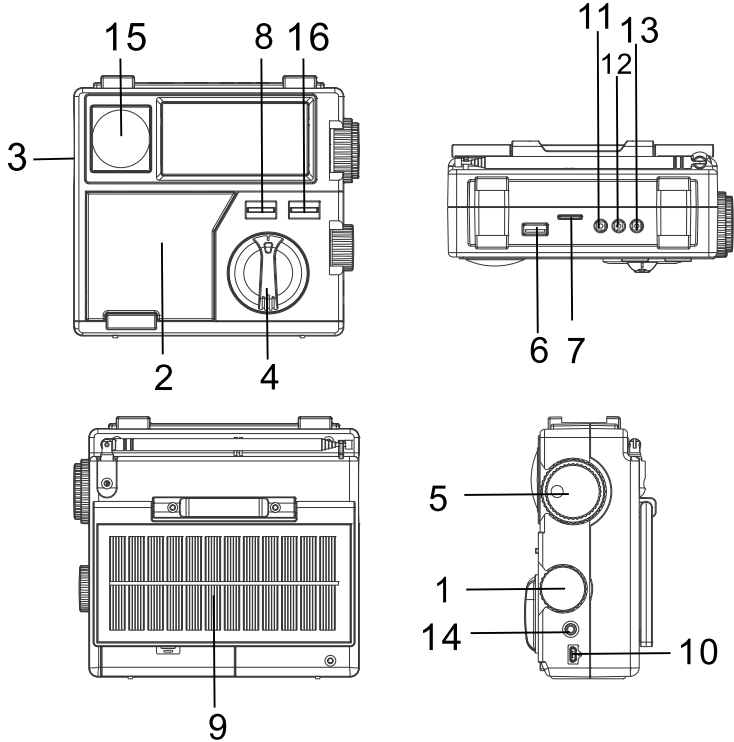


QFX

WHERE THE PARTY BEGINS™



INSTRUCTION MANUAL



LAYOUT:

- 1.POWER/VOLUME CONTROL
- 2.SPEAKER
- 3.TORCH LIGHT
- 4.BAND BUTTON
- 5.TUNING
- 6.USB SLOT
- 7.TF CARD SLOT
- 8.LIGHT SWITCH

- 9.SOLAR PANEL
- 10.CHARGE SLOT
- 11.PREV BUTTON
- 12.PLAY/PAUSE
- 13.NEXT BUTTON
- 14.AUX
- 15.LAMP
- 16.LAMP SWITCH

Power Source

1. Charge the unit at least four hours prior to first use and then recharge it as needed in the future.
2. Turn to system on turning the power knob.

Charge the Battery

When the battery is charging, the charge LED indicator will be red and turn off when fully charged.

1. Connect the USB charge cable to the DC 5V interface of the speaker firmly.
2. Once the battery is fully charged, disconnect the USB charge cable from the speaker.
3. The speaker functions normally while charging.

Controls

- Slide the function switch, and then turn the tuning knob to receive different stations from AM/FM/SW.
- When listening to the FM stations, please pull out the antenna and change the length to make the listening clear.
- When listening to the AM stations, please change the radio's position until you receive the best signal.



USB or TF Playback

- Set the function selector to "MP3".
- Insert a USB flash drive or a TF card with MP3 format music, the unit will play automatically.
- Press PAUSE/PLAY button to hold the playback, press it again to continue the playback. You can press PREV buttons to select the music you need. Press the NEXT button to play the next song.

Bluetooth Play Instructions

1. Slide the function switch to MP3 position.
2. The unit will speak "BT MODE".
3. Using WIRELESS LINK devices such as mobile phones, computer, turning on WIRELESS LINK and pairing, choose to play media songs.

Note

- This model includes built in rechargeable battery.
- In order to prolong battery life and product normal use, charging time please charge for 6-8 hours.
- Put rechargeable battery into battery compartment paying careful attention to the polarity.

1. Do not install this equipment in a confined or building-in space such as a book case or similar unit, and remain a well ventilation conditions at open site. The ventilation should not be impeded by covering the ventilation openings with items such as newspaper, table-cloths, curtains etc.

2. WARNING: To reduce the risk of fire or electric shock, do not expose this apparatus to rain or moisture. The apparatus shall not be exposed to dripping or splashing and that objects filled with liquids, such as vases, shall not be placed on apparatus.

3. WARNING: The battery (battery or batteries or battery pack) shall not be exposed to excessive heat such as sunshine, fire or the like.

4. WARNING: The mains plug is used as disconnect device, the disconnect device shall remain readily operable.

5. No naked flame sources, such as lighted candles, should be placed on the apparatus.

6. Attention should be drawn to environmental aspects of battery disposal.

PRODUCT FEATURES

- 1: Bluetooth stereo playback supports A2DP, AVRCP protocol and automatic reconnect function.
- 2: The TF card music player has a maximum capacity of 32GB, and it automatically recognizes the inserted TF card.
- 3: The USB playback function supports a maximum of 32GB, and it automatically recognizes the inserted USB drive.
- 4: FM radio playback function.
- 5: The light function includes two type options: torch light and lamp light.
- 6: Solar charging.

COMMON PROBLEM

- A: The connection and pairing have been unsuccessful multiple times.
1. Check if the speaker is in the search state or restart the computer.
 2. Too many peripheral Bluetooth devices may be causing difficulties in the search process. Turn off other Bluetooth devices.
 3. Disconnect the last Bluetooth device connected to the speaker and establish a new connection.
- B: The sound is too low or distorted during song playback.
1. Check the volume setting on your mobile phone or device and adjust accordingly.
 2. The battery voltage may be low, please charge it.
- C: There is interruption in Bluetooth music playback sound. This may occur if the speaker exceeds the effective connection distance or if there is an obstacle between the speaker and the device.

Questions? Comments? Contact Us Anytime



1-800-864-CLUB (2582)
Mon-Fri 9AM - 5PM (PST)



support@qfxusa.com
Mon-Fri 9AM - 5PM (PST)



LIMITED PRODUCT WARRANTY POLICY

Before returning your Product for service under this Warranty, please (i) read the instruction manual carefully and visit our website at www.qfxusa.com for Product updates and extended support documentation (e.g., Common Troubleshooting Guides); (ii) if you are still having trouble with your Product, please contact the QFX Customer Support Department.

Subject to the terms and conditions herein, QFX, Inc. (herein after called "QFX") warrants to the original purchaser of the Product ("Customer") that for the applicable Warranty Period listed below, the Product will be free from defects in material or workmanship under normal, non-commercial use ("Defects").

Warranty Period encompasses, as listed below, separate "Coverage Periods" for Parts and Labor, each Coverage Period to begin from the original date of Customer purchase. If Customer returns a defective Product (or any component thereof) during the applicable Warranty Period, QFX will, at its option, during the specified Coverage Periods for Parts and Labor (as applicable either: (i) repair the Product (or, as applicable, any component thereof) or (ii) replace the Product (or, as applicable, any component thereof) with a new or refurbished Product (or, as applicable, any component thereof), in either case free of charge to Customer for Parts and/or Labor (as applicable) during the specified Coverage Period only, and excluding applicable shipping charges (noted below), for which the Customer is responsible. The foregoing states the Customer's exclusive remedy and QFX sole liability for breach of the limited warranty contained herein.





This warranty covers only normal use. This warranty is not transferable. QFX is not responsible for warranty replacement should the QFX label or logo be removed or should the product fail to be properly maintained or fail to function properly as a result of misuse, abuse, immersion in liquids, improper installation, improper shipping, damage caused by disasters such as fire, flood, or service other than by QFX. In addition, this warranty excludes any Product (or, as applicable, any component thereof) that has been subject to or Defects resulting from: (a) any neglect or misuse by a Customer, an accident, improper application, violation of operating instructions for the Product, any other Customer-induced damage, or the alteration or removal of any Product serial number; (b) any modification or repair to Product (or, as applicable, any component thereof) by any party other than QFX or a party authorized in writing by QFX; (c) any damage to Product (or, as applicable, any component thereof) due to power surges, incorrect electrical voltage, misconnection to any device, or malfunction of any device used with the Product (or, as applicable, any component thereof); (d) cosmetic damage to the Product (or, as applicable, any component thereof) caused by normal wear and tear; (e) shipping damage that occurs while the Product is in transit; (f) damage caused by heat sources, sunlight, electromagnetic conditions, or other climatic conditions or (g) any acts of God.

Product is sold to Customer for personal, non-commercial use only. Product is not warranted for Customer's commercial or rental use. In addition, Product is not warranted against failure, and should not be used by Customer for any application where (i) there is a risk that any data stored on Product will be breached or otherwise compromised, or (ii) the date stored on Product is relied upon for medical or lifesaving applications. QFX disclaims any Warranty for any of the foregoing uses to the fullest extent permitted by law. Customer assumes any and all risks associated with such uses of Product, and agrees to indemnify QFX for any damages claimed against QFX for such uses.

EXCEPT FOR EXPRESS WARRANTIES STATED ABOVE AND TO THE MAXIMUM EXTENT PERMITTED BY LAW, THE PRODUCTS ARE PROVIDED "AS IS" AND QFX DISCLAIMS ALL OTHER WARRANTIES, INCLUDING WITHOUT LIMITATION ANY IMPLIED WARRANTY (i) OF MERCHANTABILITY, (ii) OF FITNESS FOR A PARTICULAR PURPOSE, OR (iii) OF NON-INFRINGEMENT OF THIRD PARTY RIGHTS. TO THE MAXIMUM EXTENT PERMITTED BY APPLICABLE LAW, IN NO EVENT WILL QFX BE LIABLE TO CUSTOMER OR ANY THIRD PARTY FOR ANY INDIRECT, SPECIAL, INCIDENTAL, CONSEQUENTIAL, EXEMPLARY OR PUNITIVE DAMAGES, INCLUDING, WITHOUT LIMITATION, ANY LOST PROFITS OR REVENUES, LOSS OR INACCURACY OF ANY DATA OR COST OF SUBSTITUTE GOODS, REGARDLESS OF THE THEORY OF LIABILITY (INCLUDING NEGLIGENCE) AND EVEN IF QFX HAS BEEN ADVISED OF THE POSSIBILITY OF SUCH DAMAGES, QFX AGGREGATE LIABILITY TO CUSTOMER FOR ACTUAL DIRECT DAMAGES FOR ANY CAUSE WHATSOEVER SHALL BE LIMITED TO THE CUMULATIVE PRODUCT FEES PAID BY THAT CUSTOMER FOR THE PRODUCTS CAUSING THE DAMAGES, IF ANY.

This Warranty gives Customer specific rights, and Customer may also have other rights that vary from jurisdiction to jurisdiction. Warning: Some Products may contain components that are small enough to be swallowed. Please keep out of reach of children. In order for the return to be processed, you must send the Product PREPAID to the address below in the original packaging or reasonable substitute to prevent damage and include: (1) a dated sales receipt (which must have a purchase date that falls in the Warranty Period specified in the table below) that indicates the place of purchase, model number of Product, and amount paid, (2) a detailed description of Customer's problem with Product, (3) Customer's full name, phone number, and return address, (3) all of the accessories that came with the Product package must be sent along with the main Product, (4) a cashier's check or money order payable to QFX, Inc., in the amount specified for the item in the product table below for return shipping and handling. If in the case you cannot provide a money order or cashier's check, you can contact The QFX Customer Support Representative to arrange payment via credit card. No returned Product will be shipped back to a PO BOX. If a returned Product is found to have no problem and/or does not include ALL of the requirements indicated above, it may be returned back to the customer and will not be processed.

QFX USA®, Inc.
RMA Processing
Customer Support Department
2957 E. 46th Street | Vernon, CA 90058

 support@qfxusa.com
 **(800) 864-CLUB (2582) or (323) 588-6900**
 qfxusa.com
 **Hours of Operation: Monday – Friday, 9am – 5pm PST**

QFX USA®, Inc.
RMA Processing
Customer Support Department
2957 E. 46th Street | Vernon, CA 90058

support@qfxusa.com
(800) 864-CLUB (2582) or (323) 588-6900
qfxusa.com
Hours of Operation: Monday – Friday, 9am – 5pm PST

All prices and details below are for US Destinations excluding, Hawaii, Alaska and Puerto Rico. For excluded destinations and NON US destinations, please contact The QFX Customer Support Department directly for additional shipping fees and return instructions.

If you do not find your Product below, your Product model conflicts with multiple categories, and/or are unsure of which category the Product you have purchased will fall under, please contact our Customer Support Department for further instruction.

In order to determine the exact shipping cost that must be included with your product or paid for the product being returned, please refer to the table below. Please find the product you wish to return by category or model number prefix. QFX will not provide any return or refund to any customer for merchandise and will only honor the Limited Warranty restrictions mentioned in this document.

Please make sure to follow all directions prior to shipping back your item. If you are not sure what the shipping cost for your item is, or if your item category conflicts in the table below, please feel free to contact the QFX Support Department for further assistance.

| PRODUCT CATEGORY | HANDLING | LABOR | PARTS |
|---|----------|--------|--------|
| Earphones, Headphones, Pocket Radios, & Small Bluetooth vSpeakers | \$5.00 | 1 Year | 1 Year |
| Personal Stereos | \$10.00 | 1 Year | 1 Year |
| Portable Radio/Cassette | \$15.00 | 1 Year | 1 Year |
| Large Portable Radio Cassette | \$20.00 | 1 Year | 1 Year |
| Mobile Audio | \$10.00 | 1 Year | 1 Year |
| Pro Audio SBX Systems | \$75.00 | 1 Year | 1 Year |
| Pro Audio PBX Systems | \$75.00 | 1 Year | 1 Year |
| Televisions | \$25.00 | 1 Year | 1 Year |
| Telephones | \$10.00 | 1 Year | 1 Year |

THE WARRANTY AND REMEDY PROVIDED ABOVE ARE EXCLUSIVE AND IN LIEU OF ALL OTHER EXPRESSED OR IMPLIED WARRANTIES INCLUDING, BUT NOT LIMITED TO, THE IMPLIED WARRANTIES OF MERCHANTABILITY, NON-INFRINGEMENT OR FITNESS FOR A PARTICULAR PURPOSE. SOME LAWS DO NOT ALLOW THE EXCLUSION OF IMPLIED WARRANTIES. IF THESE LAWS APPLY, THEN ALL EXPRESSED OR IMPLIED WARRANTIES ARE LIMITED TO THE WARRANTY PERIOD IDENTIFIED ABOVE. UNLESS STATED HEREIN, ANY STATEMENT OR REPRESENTATIONS MADE BY ANY OTHER PERSONS OR FIRM ARE VOID. EXCEPT AS PROVIDED IN THIS WRITTEN WARRANTY, QFX SHALL NOT BE LIABLE FOR ANY LOSS, INCONVENIENCE, OR DAMAGE, INCLUDING DIRECT, SPECIAL, INCIDENTAL OR CONSEQUENTIAL DAMAGES, RESULTING FROM THE USE OR INABILITY TO USE THE QFX PRODUCT, WHETHER RESULTING FROM BREACH OF WARRANTY OR ANY OTHER LEGAL THEORY.

Some jurisdictions do not allow limitations on how long an implied warranty lasts, and some jurisdictions do not allow the exclusion or limitation of incidental or consequential damages, so the above limitations and exclusions may not apply to you. This warranty gives you special legal rights and you may have other rights which vary from jurisdiction to jurisdiction.

©Copyright Protected 2023



1-800-864-CLUB (2582)
Mon-Fri 9AM - 5PM (PST)



support@qfxusa.com
Mon-Fri 9AM - 5PM (PST)



www.qfxusa.com

1-800-864-CLUB (2582)
Mon-Fri 9AM – 5PM (PST)

support@qfxusa.com
Mon-Fri 9AM – 5PM (PST)

THANK YOU.

QFX Where the Party Begins!

We would love to hear about your R-52 journey!
Tag us **@QFXUSA** to share your stories.

FOLLOW US @QFXUSA

