



Item EP08377G

**VINTAGE EDISON BULB CAMPING LANTERN
w/ DUAL-COLOR TEMPERATURE SELECTION**

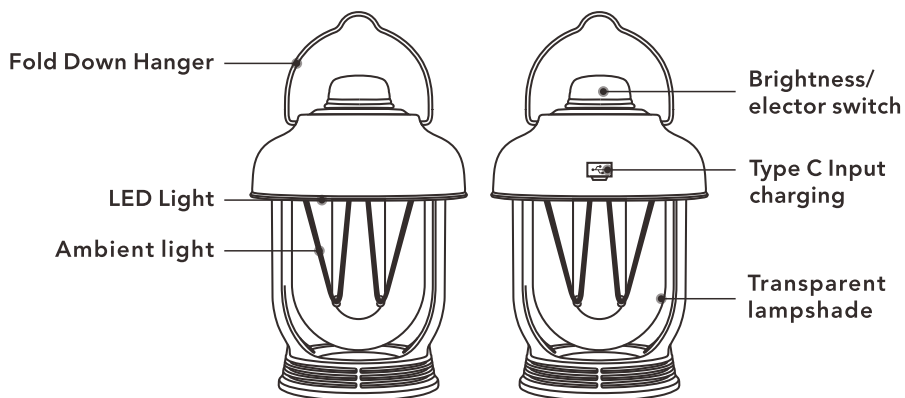
Functions and Features:

1. Dimmable
2. Waterproof
3. Dual-Color Temperature Selection (Amber & Cool White)

Main technical parameters

Amber Color Temperature	1900-2100K
Cool White Color Temperature	0.5W 3500—4000k
Amber Mode Run-Time at Maximum Brightness	≥ 3.5 hours
Amber Mode Maximum Brightness	≥50LM
Cool White Run-Time at Maximum Brightness	≥3 hours
Cool White Maximum Brightness	≥280LM

External View and Functional Instructions



Item EP08377G

**VINTAGE EDISON BULB CAMPING LANTERN
w/ DUAL-COLOR TEMPERATURE SELECTION**

Operation

1. Long press the switch about 5s to Open / Close the Lantern.
2. Short press the switch to choose lighting mode, and rotate the switch to adjust brightness under each mode...
Warm light – Flame light – White light – Warm light & White light

Charging Indication

The red indicator light will turn on when charging is in progress after connecting the charging cable, and it will turn green when fully charged.

Rechargeable Battery

This product contains (1) 3.7V 2000mAh Li-ion rechargeable battery. When the battery expires, it must be recycled or disposed of properly. Please contact your local waste disposal authority for correct procedure. Do not put battery into fire. Do not attempt to replace the battery

⚠ WARNING: This product can expose you to chemicals including lead and lead compounds, Di(2-ethylhexyl) phthalate (DEHP), which are known to the State of California to cause cancer and birth defects or other reproductive harm. For more information go to www.P65Warnings.ca.gov.

CAUTIONS:

- 1) To reduce the risk of injury, close supervision is necessary when a product is used near children.
- 2) Only use attachments recommended or sold by the manufacturer.
- 3) To reduce the risk of electrical shock, do not put product in water or other liquid. Do not place or store product where it can fall or be pulled into a tub or sink.
- 4) **WARNING:** To reduce the risk of injury, do not stare at operating lamp. Serious eye injury could occur.
- 5) Avoid using liquid with corrosive chemicals or hard cloth to wipe the surface of the lantern.
- 6) Do not place the lantern in high temperature and avoid strong collision with the lantern when using it.
- 7) Do not attempt to replace the battery and LED

www.arrowheadoutdoor.us

Questions or Concerns?
Please contact our Customer Loyalty Team

support@arrowheadoutdoor.us
1-844-286-8166 Monday - Friday 8AM - 5PM EST

Distributed by
Horizon Marketing Group, LLC
4198 Industry Way
Flowery Branch, GA 30542 USA
Made In China



TESTRITE PDS 540 File Information		Division: T103P61Z01 File NO.: 20231117		Packaging Design Implement Confirmation	
Client: TCS	Client ID: 10163406	Item NO.: EP08377G		Sales Division	Design Division
Packaging Description: IM		Package Size: 14.8X21mm		Hunt	Joe
Contact: Art window/Carol.shu ext:8274 Email: art-szo-design@testritigroup.com		Finish Date:		Applicant	Designer
Colors: 颜色: 黑色 材质: 80g双胶纸	正反印刷	Cutter Diecut	Signed by Applicant & Sales Division 20231117 for all Items	Lisa	Carol



請注意，PDF檔僅供參考，請勿用於印刷，印刷請用Ai檔。
Attention: PDF file is ONLY for reference, DO NOT use for printing. Please use Ai file for printing.

PLEASE DO NOT PRINT THIS (YELLOW) AREA