



Item EP05103G

LANTERN FLASHLIGHT

Functions and Features:

- 1.360 lighting
2. Tuning /Twist Switch
3. Candle Light
4. Indicator LED
5. Flashlight
6. Waterproof

Main technical parameters

LED of flashlight	1W 6000-6500K
Lantern	Two strips of light 1W (single power) 1900K-2100K
The Max. Luminous Flux of flashlight (High mode)	≥ 90LM
Working time after fully Charged of flashlight (High mode)	≥ 5 hours
The Max. Luminous Flux of lantern (High mode)	≥ 60LM
Working time after fully Charged of lantern (High mode)	≥ 3 hours
Working time after fully Charged(flashlight and Lantern)	≥ 2 hours
Specification of Built-in Battery	14500 3.7V/800mAh
Fully Charge Time via USB-C Input Cable	2 - 4 hours

Main accessories life span

Lifetime	3 years
----------	---------

⚠ WARNING: This product can expose you to chemicals including lead and lead compounds, Di(2-ethylhexyl) phthalate (DEHP), which are known to the State of California to cause cancer and birth defects or other reproductive harm. For more information go to www.P65Warnings.ca.gov.

CAUTIONS:

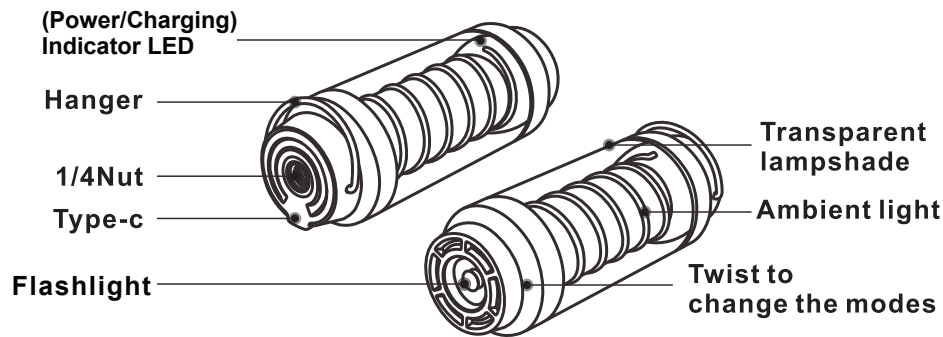
- 1) To reduce the risk of injury, close supervision is necessary when a product is used near children.
- 2) Only use attachments recommended or sold by the manufacturer.
- 3) To reduce the risk of electrical shock, do not put product in water or other liquid. Do not place or store product where it can fall or be pulled into a tub or sink.
- 4) **WARNING:** To reduce the risk of injury, do not stare at operating lamp. Serious eye injury could occur.
- 5) Avoid using liquid with corrosive chemicals or hard cloth to wipe the surface of the machine.
- 6) Do not place the machine in high temperature and avoid strong collision with the machine when using it.
- 7) Do not attempt to replace the battery and LED



Item EP05103G

LANTERN FLASHLIGHT

External View and Functional Instructions



1. Usage.
Twist to change the modes : Flashlight in low mode - high mode - flashlight & lantern at the same time - lantern in high mode - medium mode - low mode- breath mode- off (forward and reverse switching order is different).
2. Power indicator: The indicators lights up for 5 seconds on each mode and then goes out .
3. Charging indicator: Use USB-C to charge in , three indicators flash one by one and turns to constant light during charging, and will be light fully when 100% charged .

Rechargeable Battery

This product contains (1) 3.7V 800mAh Li-ion rechargeable battery. When the battery expires, it must be recycled or disposed of properly. Please contact your local waste disposal authority for correct procedure. Do not put battery into fire. Do not attempt to replace the battery

www.arrowheadoutdoor.us

Questions or Concerns?
Please contact our Customer Loyalty Team

support@arrowheadoutdoor.us
1-844-286-8166 Monday - Friday 8AM - 5PM EST

Distributed by
Horizon Marketing Group, LLC
4198 Industry Way
Flowery Branch, GA 30542 USA
Made In China



TESTRITE PDS 540 File Information		Division: T103P61Z01 File NO.: 20231117		Packaging Design Implement Confirmation	
Client: TCS	Client ID: 10163406	Item NO.: EP05103G		Sales Division	Design Division
ackaging Description: IM		Package Size: 14.8X21mm		Hunt	Joe
Contact: Art window/Carol.shu ext:8274 Email: art-szo-design@testritegroup.com		Finish Date:		Applicant	Designer
Colors: 颜色: 黑色 材质: 80g双胶纸 正反印刷		Cutter	Signed by Applicant & Sales Division 20231117 for all Items		
		Diecut	Lisa	Carol	



請注意，PDF檔僅供參考，請勿用於印刷，印刷請用Ai檔。
Attention: PDF file is ONLY for reference, DO NOT use for printing. Please use Ai file for printing.

PLEASE DO NOT PRINT THIS (YELLOW) AREA