



Solar Deck Light (12-Pack)

Model No. ELJ7965V

INSTALLATION INSTRUCTIONS

PLEASE READ CAREFULLY AND SAVE THESE INSTRUCTIONS, AS YOU MAY NEED THEM AT A LATER DATE.

⚠️ IMPORTANT SAFETY OPERATING INSTRUCTIONS

1. Please read all warning and instruction labels which are included in the box and fixture to avoid personal injury, property damage caused by fire, cuts, bruises, death and other dangers.
2. Please follow these general precautions before installing, maintaining, or fixing

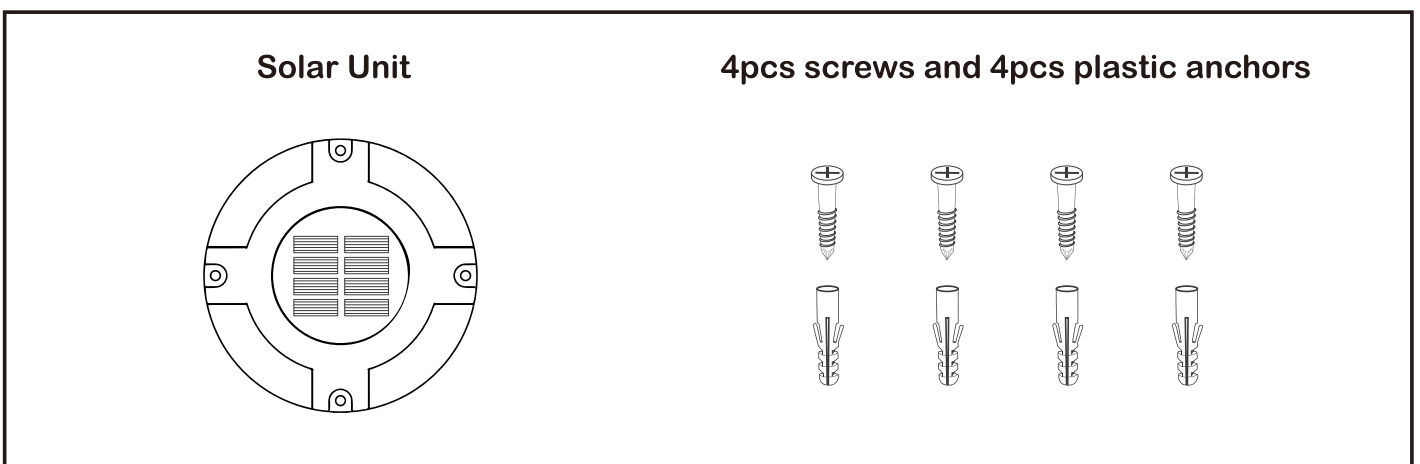
⚠️ WARNING

1. The packing contains small parts that could be swallowed by children
2. Keep the packaging material away from children and pets
3. The solar light is not a toy
4. We do not take responsibility if the instruction manual is not followed correctly or if the product is handled improperly resulting in damage to person or property

PRECAUTION

1. It is important to select an outdoor location with full, direct sunlight where the solar panel can receive at least 8 hours of sunlight each day.
2. It is important to avoid placing the solar light by light sources, such as street lights or porch lights, which may cause the solar light to turn off automatically.
3. To avoid explosion and corrosion, please keep the solar light away from fire and humid environment
4. No striking to avoid any damages to solar cell

REF. PARTS



PARAMETER:

1. Dimension: approx. Dia. 4.72"(12cm) x H.0.98"(2.5cm)
2. Light source: 4pcs white LEDs
3. Brightness: 10lumens



Solar Deck Light (12-Pack)

Model No. ELJ7965V

INSTALLATION INSTRUCTIONS

⚠ WARNING: This product can expose you to chemicals including lead and lead compounds, Di (2-ethylhexyl) phthalate (DEHP), which are known to the State of California to cause cancer and birth defects or other reproductive harm. For more information go to www.P65Warnings.ca.gov.

HOW TO OPERATE AND INSTALL

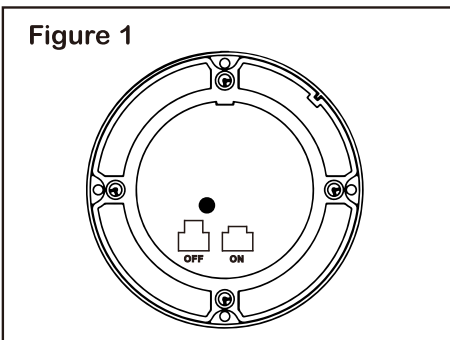


Figure 1
Push down the switch to "On" position

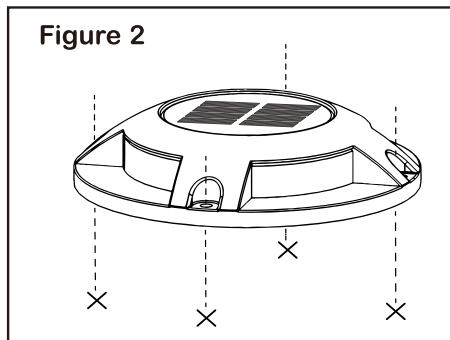


Figure 2
Choose desired location, drill 4 holes on the ground (use the four mounting holes as template for the screw locations), and then insert the plastic anchors.

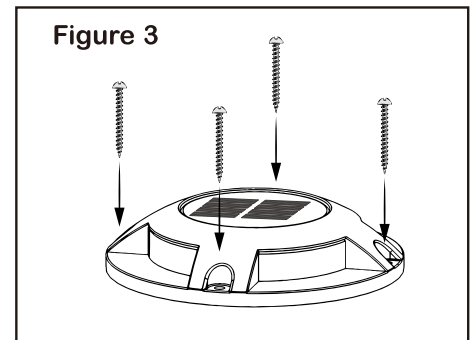
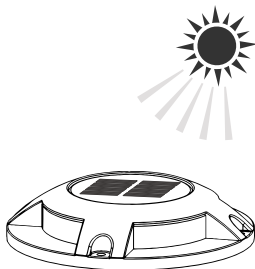
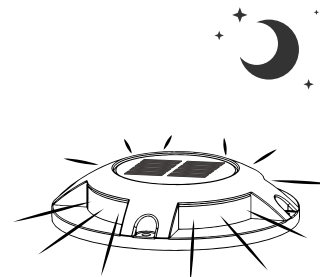


Figure 3
Tighten the solar deck light with the 4 screws
Note: Lights with crystalline panels may have a protective film over the solar panel. This must be removed prior to use."

HOW IT WORKS



Solar panel collects sunlight to charge the battery (included) during the day



Automatically turns on at dusk for up to 12 hours of nighttime illumination

CLEANING AND MAINTENANCE

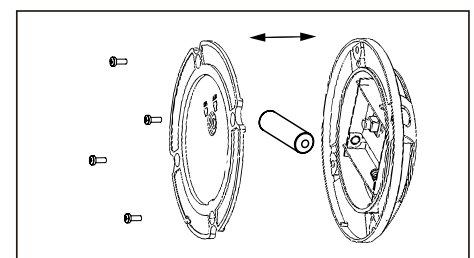
1. Use a damp cloth to clean the solar panel
2. To avoid any damage to this light, please do not use any chemical or abrasive cleaner

RECHARGEABLE BATTERY

This product contains (1)1.2V AAA 800mAH Ni-MH rechargeable battery. When the battery expires, it must be recycled or disposed of properly. Please contact your local waste disposal authority for correct procedure. Do not put battery into fire.

Battery replacement

1. Use a screwdriver to remove the 4 screws on the back of the unit.
2. Open the battery chamber cover.
3. Replace the old battery with new battery making sure the polarity is correct.
4. Place back the battery chamber cover by tightening the 4 screws.



Register & Subscribe today to protect your investment and join our email list!



Why Register?

- Receive your extended warranty
- Get professional warranty support
- Be the first to hear the latest product news.
- Get exclusive deals delivered to you email.

Scan below for link:



homezonesecurity.com


support@homezone-usa.com

US: +1 888-782-5618

Get exclusive offers and deals when you subscribe!

Thank you for choosing Home Zone Security!
We are here to support you every step of the way.

Please be sure to contact our customer support for troubleshooting and register your product for additional benefits. Products must be sold by an authorized reseller or distributor to be valid.

Distributed by
Horizon Marketing Group, LLC 
4198 Industry Way
Flowery Branch, GA 30542 USA
Made In China