

minimum.

4. when shall give the battery charge? When playing MP3 voice was small, off and on, this unit can from external AC built-in rechargeable battery to directly. plug in the ac can be directly to the built-in battery charging, and can play the machine, charging time 8 to 10 hours on a full charge can play continuously for 3 to 5 hours. (better off charging).

5. An external USB device can't load more than 100 ma current. Otherwise it will damage the machine.

6. Avoid lashing and falling down the unit.

7. Avoid exposure to temperature extremes, direct sunlight and moisture.

8. Avoid to use corrosive liquid to wipe surface radio player.

9. when you are not going to use the unit for along time, remove the battery to avoid damage from battery leakage and corrosion.

10. Don't to tear open machine adjust internal components parameters

### Warranty

#### Basic Warranty Statement

Supersonic Inc. ("Supersonic") warrants this product to the original purchaser ONLY, to be free from defects in materials and workmanship under normal use, for ninety (90) DAYS from the date of original purchase. Proof of purchase (receipt) required.

Please visit <http://www.supersonicc.com/warranty> for additional information

E-5

limits for a Class B digital device, pursuant to Part 15 of the FCC Rules. These limits are designed to provide reasonable protection against harmful interference in a residential installation. This equipment generates uses and can radiate radio frequency energy and, if not installed and used in accordance with the instructions, may cause harmful interference to radio communications. However, there is no guarantee that interference will not occur in a particular installation. If this equipment does cause harmful interference to radio or television reception, which can be determined by turning the equipment off and on, the user is encouraged to try to correct the interference by one or more of the following measures:

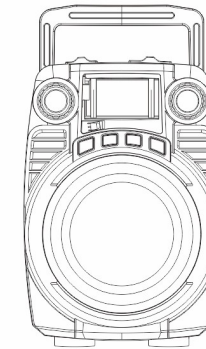
- Reorient or relocate the receiving antenna.
- Increase the separation between the equipment and receiver.
- Connect the equipment into an outlet on a circuit different from that to which the receiver is connected.
- Consult the dealer or an experienced radio/TV technician for help

This device complies with part 15 of the FCC rules. Operation is subject to the following two conditions (1) this device may not cause harmful interference, and (2) this device must accept any interference received, including interference that may cause undesired operation.

E-6

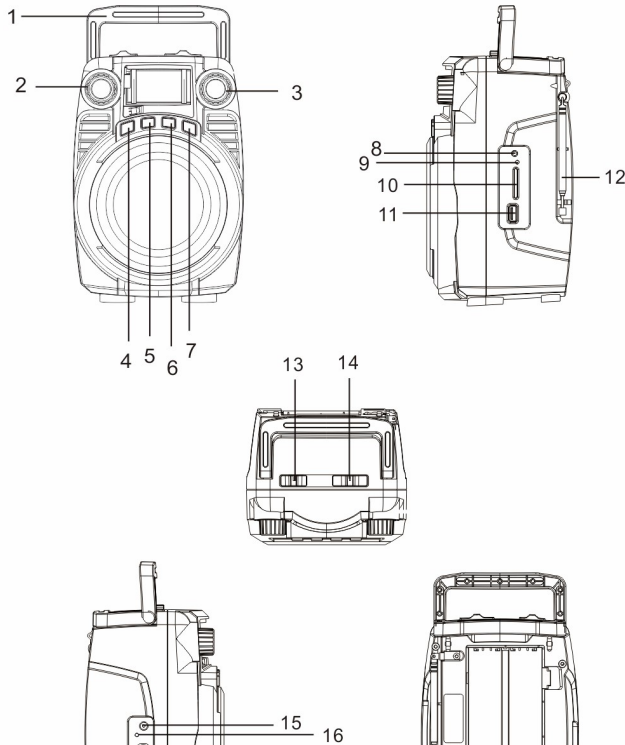
# SUPERSONIC

## SC-1390BT



**WARNING:** To prevent fire or shock hazard, do not expose this appliance to rain or moisture. This equipment must be disconnected from the mains when not used.

E-1



### Function Control Locations

- |                        |                     |
|------------------------|---------------------|
| 1. HANDLE              | 10. SD CARD         |
| 2. VOLUME              | 11. USB DIRECT      |
| 3. TUNING              | 12. ROD ANTENNA     |
| 4. REPEAT              | 13. FUNCTION SWITCH |
| 5. PREV/REW            | 14. BAND SWITCH     |
| 6. PLAY/PAUSE          | 15. DC IN           |
| 7. NEXT/F.FWD          | 16. CHARGE          |
| 8. AUX IN              | 17. AC IN           |
| 9. USB POWER INDICATOR | 18. BATTERY DOOR    |

### METHOD OF OPERATION:

#### A. RADIO

1. Turn the volume knob (VOL), to change the band switch to radio location
2. Move the tuning knob to listen to the radio broadcast band, slowly turn the TUNING frequency position to listen to the radio program.
3. Pull the antenna and adjust the direction of receive a better reception for FM and SW band radio.

#### B. PLAY USB/SD

1. Move the function switch to the USB/AUX position.
2. Insert the USB/SD card USB/SD card interface to play a USB flash drive or an SD card.
3. When playing a song you can press PLAY/PAUSE button to stop immediately, (▶||) or press continue to play again.
4. When playing you can press (◀◀/▶▶) to jump to previews

time, it will automatically play the last one you put in.

#### C. BT

1. When Switching to bluetooth function you will hear a voice saying "waiting for the pairing"
2. Open bluetooth on your cell phone and when the search is completed, select BT03 to pair.
3. According to the equipment prompts "yes" or "confirmation" button to confirm matching, a voice prompt "bluetooth pairing success" (bluetooth pairing success) to match at this time.
4. After the connection is successful, open the music player, can play the music in the equipment
5. In the process of play, press the radio and equipment in the button, play and pause button can be used.
6. In the process of play, according to the radio on PREV can skip to last song, according to the radio NEXT can skip to the NEXT song.

D. Will switch to USB/AUX location function, and then other audio output into the AUX socket, can send out a sound external input.

E. This machine can be connected computers when sound card effect, a card reader function. Use USB line to the machine connected to the computer USB socket, open a computer music player, can use this machine selection play computer audio files.

#### F. The main properties and the index

1. frequency range: AM: 530-1710 KHz FM: 88-108 MHz SW1-2: 3.2-22.0 MHz