

Technaxx® * User Manual

Universal Auto Alarm Pro TX-168

Please read and keep all safety, security, and use instructions.



Products marked with this symbol conform to all applicable community regulations of the European Economic Area. The manufacturer Technaxx Deutschland GmbH & Co.KG hereby declares that this device to which this user manual pertains complies with the essential requirements of the standards referred to in the Directive **RED 2014/53/EU**. You will find the Declaration of Conformity at: www.technaxx.de/ (in the bar at the bottom "Konformitätserklärung"). Read the user manual carefully before using the device the first time.



This symbol means the product must not be discarded as household waste. Instead, it should be delivered to an appropriate collection facility for recycling. Proper disposal and recycling helps protect natural resources, human health and the environment. For more information on disposal and recycling of this product, contact your local municipality, disposal service, or the shop where you bought this product.



Security and Disposal Hints for Batteries: Keep children away from batteries. If a child accidentally swallows a battery, consult a doctor or bring the child to a hospital immediately! Always ensure the correct polarity (+) and (-) of the batteries! Always change all batteries. Never use old and new batteries or batteries of different types together. Never shorten, open, deform or load up batteries! **Risk of injury!** Never throw batteries into a fire! **Risk of explosion!** After use, batteries can be returned free of charge in retail stores. The end user is legally obliged to return used batteries. Separate collection and recycling of old batteries benefits health and the environment. Remove batteries before disposing of the device.

Tips for Environmental Protection: Packaging materials are raw materials and can be recycled. Do not include old devices or batteries in domestic or household waste. **Cleaning:** Protect the device from contamination and pollution (drape the device using a clean cloth). Avoid using rough, coarse-grained materials or solvents/aggressive cleaner. Wipe the cleaned device accurately. **Important Notice:** Should battery fluid leak from a battery, wipe the battery case dry using a soft cloth. **Distributor:** Technaxx Deutschland GmbH & Co.KG, Konrad-Zuse-Ring 16-18, 61137 Schöneck, Germany

IMPORTANT SAFETY INSTRUCTIONS

1. Read these instructions.
2. Keep these instructions.
3. Heed all warnings.
4. Follow all instructions.
5. Do not use this device near water.
6. Clean only using a dry cloth.
7. Only use attachments/accessories specified by the manufacturer.

This manual will show you how to use your device safely and effectively. Please read, understand and follow these instructions and precautions carefully.

WARNING: Failure to read and follow these warnings and instructions may result in serious injury, including damage to property, so please pay close attention and use the utmost care!

IMPORTANT

- Do not use in a marine application.
- Keep out of the reach of children.
- Use of an attachment not recommended or sold by the unit manufacturer may result in fire, electric shock, or injury to persons.
- To prolong the life of this device, pull it out before starting the engine of the car.
- Keep the device in a dry and ventilated environment. Avoid high humidity and high temperatures.
- Use this product only in connection with an agency-approved power supply that meets local regulatory requirements (e.g., UL, CSA, VDE, CCC).

WARNINGS

- Do NOT disassemble the unit; take it to a qualified serviceman when service or repair is required. Incorrect reassembly may result in electric shock or fire.
- To reduce the risk of electric shock, unplug the unit from the outlet before attempting any maintenance or cleaning. Turning off the controls alone will not reduce this risk.
- DO NOT expose this unit to rain or moisture, as this presents a risk of fire or electrical shock. The device should not be exposed to dripping or splashing.

- DO NOT touch the external siren if you, your hands, the external siren, the device being operated or any other surfaces that may come into contact with any power source are wet. Water and many other liquids can conduct electricity, which may lead to electric shock causing serious injury or death.
- DO NOT place the external siren on or near heating vents, radiators or other sources of heat or flammable materials.
- Only connect the external siren to a DC12V or DC24V battery for power supply. DO NOT attempt to connect the external siren to any other power source, including an AC power source. Connection to a 6V or 16V battery will result in damage to the external siren.
- DO NOT use with positive ground electrical systems.
- DO NOT attempt to extend or otherwise modify the power cord supplied with your external siren. Make sure the cord connections are tight.
- DO NOT drop or shake the device. This may result in damage to internal circuit boards or mechanics.
- DO NOT make unauthorized alterations to this product.
- Incorrect operation of your car alarm and external siren may result in damage and personal injury.
- Keep the device away from small children.

PERSONAL PRECAUTIONS

- Wear complete eye protection and protective clothing when working near lead-acid batteries. Always make sure somebody is nearby in case you need help.
- Remove all personal metal items from your body, such as rings, bracelets, necklaces and watches. A lead-acid battery can produce a short circuit current high enough to weld a ring to metal, causing a severe burn.
- Never smoke or allow a spark or flame in the vicinity of the battery or engine.

▲ WARNING

This product can expose you to chemicals including lead, which is recognized by the State of California as a cause of cancer and of birth defects or other reproductive damage.

For more information go to www.P65Warnings.ca.gov

BATTERY SAFETY INSTRUCTIONS

- DO NOT burn products and their batteries and do not expose them to direct sunlight or to high temperatures (e.g. in hot automobiles or near hot stoves). Batteries may explode if overheated.
- Only use this product for its intended purpose and follow the general and battery safety instructions as described in this user manual. Any misuse of the product can cause electric shock, burns, fire and other hazards or injuries.
- Charge, use and store the product at a temperature between 14°F / 10°C and 122°F / +50°C.
- Always unplug the product once it is fully charged.
- If the product becomes abnormally hot, gives off an abnormal smell, changes color or if charging takes much longer than usual, stop using and charging the product and contact your local dealer.
- DO NOT place products and their batteries in microwave ovens or on induction cookers.
- This product contains a rechargeable battery that is non-replaceable. DO NOT open the product to replace the rechargeable battery.
- When you handle batteries, make sure that your hands, the product and the batteries are dry.
- To prevent batteries from heating up or releasing toxic or hazardous substances, do not modify, pierce or damage products and batteries and DO NOT disassemble, short-circuit, overcharge or reverse charge batteries.
- To avoid accidental short-circuiting of batteries after removal, DO NOT let battery terminals come into contact with metal objects (e.g. coins, hairpins, rings).
- DO NOT wrap batteries in aluminium foil. Tape battery terminals or put batteries in a plastic bag before you discard them.
- If batteries are damaged or leaking, avoid contact with the skin or eyes. If contact occurs, immediately rinse thoroughly with water and seek medical care.
- Please dispose of used batteries properly, in accordance with local regulations. DO NOT incinerate.

REGULATORY AND LEGAL INFORMATION

This device complies with part 15 of the FCC Rules. Operation is subject to the following two conditions:

- (1) This device must not cause harmful interference, and
- (2) this device must accept any interference received, including interference that may cause undesired operation.

Any changes or modifications not expressly approved by the party responsible for compliance could void the user's authority to operate the equipment.

NOTE: This equipment has been tested and is in compliance with the requirements for a Class B digital device, pursuant to Part 15 of the FCC Rules. These limits are designed to provide reasonable protection against harmful interference in a residential installation. This equipment generates, uses and can radiate radio frequency energy and, if not installed and used in accordance with the instructions, may cause harmful interference to radio communications. However, there is no guarantee that interference will not occur in a particular installation.

If this equipment does cause harmful interference to radio or television reception, which can be determined by turning the equipment off and on, the user is encouraged to try to correct the interference by implementing one or more of the following measures:

- Reorient or relocate the receiving antenna.
- Increase the distance between the equipment and receiver.
- Connect the equipment to an outlet on a circuit different from the circuit to which the receiver is connected.
- Consult your dealer or an experienced radio/TV technician for help.

The device has been evaluated to comply with general RF exposure requirements. The device can be used in portable exposure condition without restriction.

Enjoy your product. Share your experiences and opinions on one of the well-known internet portals!

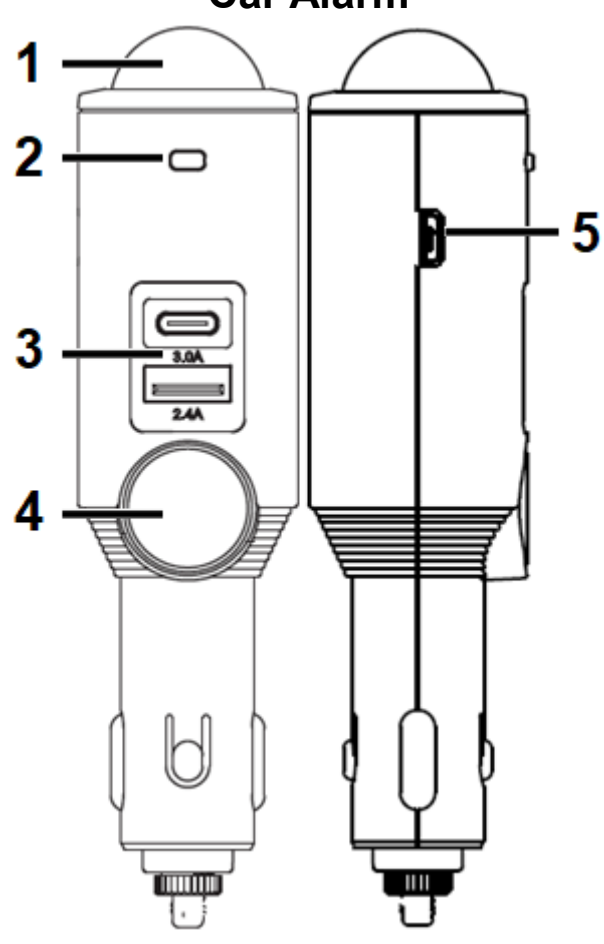
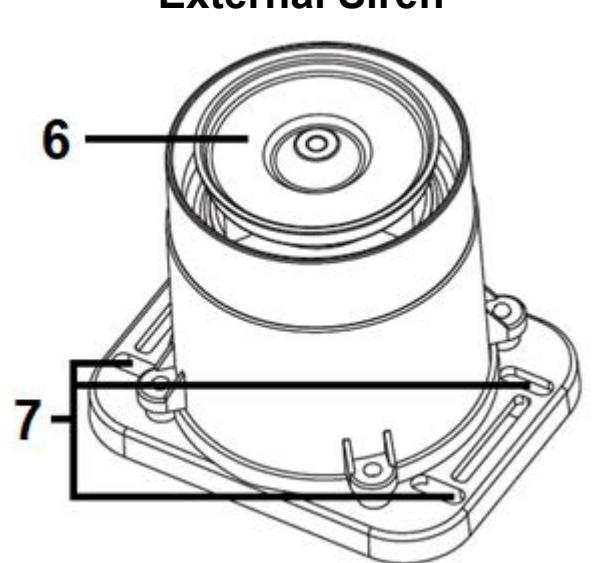
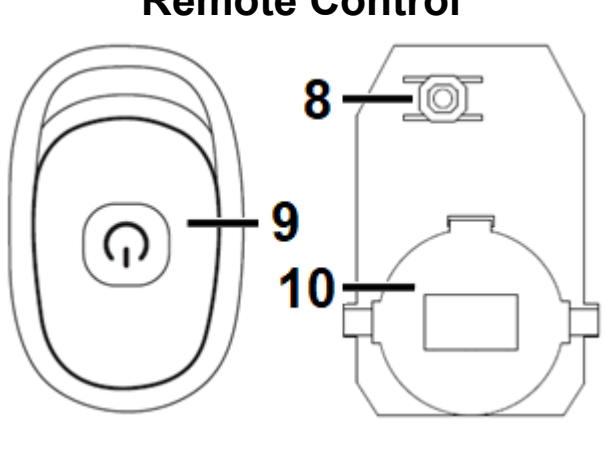
Contents

IMPORTANT SAFETY INSTRUCTIONS	2
WARNINGS	2
PERSONAL PRECAUTIONS	3
BATTERY SAFETY INSTRUCTIONS.....	4
REGULATORY AND LEGAL INFORMATION.....	5
Features.....	7
Product overview	8
Charge the Car Alarm	9
Get started	10
System installation and wiring.....	10
Install the external Siren.....	11
Inserting the car alarm in the cigarette lighter socket.....	12
Remote control & functions	13
Activate (arm)	13
Deactivate (Disarm)	13
Shut OFF the Car Alarm	14
Change remote control battery.....	14
Pair a new remote control	14
USB charger function	15
Panic mode.....	15
Troubleshooting	16
Technical Specifications.....	16
Disposal	17
Support	18
Warranty	18

Features

- DC12 or 24V rechargeable car alarm for the cigarette lighter socket
- DC12 or 24V external siren for engine compartment for more attention
- Button for panic alarm (about 105dB)
- 1x USB-C charging port with a total of 5V / 3.0A output power
- 1x USB charging port with a total of 5V / 2.4A output power
- Automatic alarm triggering by motion detection by PIR sensor (Passive infrared sensor for physical movement detection for the car's interior)
- Built-in 500mAh battery for 7 days working time ensures alarm triggering even when engine is switched off
- Car alarm and external siren each about 105dB
- Remote control to activate and deactivate the alarm
- Connection of up to 3 remote controls possible
- LED status indicator
- Over-current protection & short circuit protection
- Easy handling and installation

Product overview

Car Alarm		External Siren	
			
		Remote Control	
1	PIR (motion detection) and LED indicator	6	Siren
2	Panic button	7	Mounting holes
3	USB-C charging slot (DC5V/3.0A) USB charging slot (DC5V/2.4A)	8	Pairing button (on circuit board)
4	Siren	9	Remote control button (activate/deactivate)
5	MicroUSB input	10	Battery compartment (on circuit board)

Charge the Car Alarm

⚠ CAUTION

Charge the device only under supervision and using the recommended equipment (USB charger DC5V/500mA and a

NOTICE

Charge the battery for the device every 2–3 months if it is not being used! This is to counteract deep discharge.

This device has a rechargeable battery. It must be fully charged before the first use. Connect a USB cable* (*not included) to the MicroUSB input (5) for the car alarm to charge completely. Or use your vehicle's DC12V/24V cigarette socket for charging. Charge the device for approximately 2 hours before using it.

Status	LED Indication
<i>Charging</i>	<i>Solid blue</i>
<i>Charged</i>	<i>Solid green</i>
<i>Low battery warning</i>	<i>Flash blue continuously</i>

NOTICE

In some vehicles, the cigarette lighter socket cannot be operated when the vehicle's engine is off.

Get started

System installation and wiring

NOTICE

These installation instructions do not apply to all types of vehicles. They are meant only as a general guide due to the large number of vehicle makes and models. Consult your local motor vehicle laws on the use of this product to be sure it is permitted.

When you install this car alarm system, make sure you do not degrade, damage or compromise the safety of any system or device in your vehicle.

Improper installation and wiring of the external siren may damage the vehicle's electrical system, including vital vehicle computer and operating systems. This could lead to an accident or cause property damage and/or serious personal injury. It is highly recommended that you seek professional installation advice from a qualified auto electrician or, in the alternative, have the installation performed by a qualified auto electrician.

Please make sure that the external siren is secured and mounted in a location in which it will NOT obstruct any OEM vehicle safety features. If an accident occurs and the external siren is fired as a projectile, the manufacturer shall assume no responsibility for any resulting bodily injury or vehicle damage.

The manufacturer assumes no liability for damage caused to your

⚠ DANGER

This unit is designed to operate on a 12V or 24V DC negative ground electrical system. Connecting to other types of electrical systems will cause damage to your vehicle. Please contact the manufacturer if you are unaware of your vehicle's system type.

⚠ DANGER

If you have no experience in installing electrical devices on vehicles, you are not permitted to carry out the following work yourself. You must have the assembly and connection carried out by qualified

⚠ DANGER

If connection is performed incorrectly, this may result in voltage high enough to cause electrocution.

⚠ WARNING

Running the engine for more than 10 minutes presents a risk of burns. Allow the engine and other parts in the engine compartment to cool down for at least 30 minutes before commencing installation of the external siren.

⚠ WARNING

Loose connectors result in excessive voltage drop and may melt insulation and cause wires to overheat, which can lead to electrical fires. Reverse polarity connections (positive to negative) will blow the fuse in the connection cable and may permanently damage the external siren.

⚠ DANGER

When mounting the siren in the engine compartment, make sure that the ties are secured and the siren is not connected with movable parts. The siren must be mounted with sufficient distance to rotating

⚠ DANGER

DO NOT connect the connection cable to the battery so that the cable passes in the vicinity of hot engine parts where the insulation can melt and cause a short circuit or fire.

⚠ DANGER

DO NOT connect the connection cable to the battery so that the cable passes in the vicinity of moving parts where the cable can get caught or entangled.

Ensure that the connection cable is coiled up and securely fastened

Install the external Siren

Before final installation, find a location in the engine compartment where the siren will best be able to transmit the alarm sound to the outside when the hood is closed.

⚠ WARNING

DO NOT touch the positive and negative terminals of the vehicle battery at the same time. This can cause electrocution.

Securely connect the red wire to the positive terminal (“+”) of the battery. Securely connect the black wire to the negative terminal (“-”) of the battery. The external siren will make a brief alarm sound when it is correctly connected to the vehicle’s battery.

NOTICE

When mounting the siren, make sure that the position of the siren does not interfere with the closing of the engine hood.

NOTICE

Keep the siren far away from the engine. Heat from the engine may destroy the siren.

Fix the siren by attaching it to non-movable parts and mount it in suitable position.

NOTICE

Make sure that the excess connection cable is coiled up and additionally securely fastened in the engine compartment using cable ties.

Inserting the car alarm in the cigarette lighter socket

After the car alarm is inserted in the cigarette lighter socket, the light will glow solid blue for charging. The device is now ready for operation and can receive the command from the remote control.

NOTICE

The included remote is already paired to the device.

Depending on the current status of the car alarm’s LED indicator, the light will glow in one of the colors below:

Status	LED Indication
Charging	Solid blue
Charged	Sold green
Low battery warning	Flash blue continuously
Alarm	Flash red continuously
Activated	Flash red once with “beep”
Deactivated	Flash red twice with “beep beep”
Armed	Flash red every 5 seconds
Power off	Flash red continuously with constant, intermittent beeps: “beep beep beep beep”

Remote control & functions

Activate (arm)

The car alarm can be activated by briefly pressing the remote control button (1x short "beep" and the red light flashes once). The external siren will "beep" once as well.

Once the PIR sensor of the car alarm is activated, it will take about 10 seconds until the device is armed. When armed, the red light flashes every 5 seconds. Once human action is detected, the red light will flash continuously. The siren for the car alarm and the external siren are blaring loudly together. The external siren will stop blaring after 30 seconds and the siren of the car alarm will stop blaring after 120 seconds.

The max. distance required to arm the car alarm while departing the vehicle and moving away from it is 10m on an open field.

NOTICE

The remote control may be operated from outside the closed vehicle, through the window.

Deactivate (Disarm)

To deactivate the car alarm and turn off the alarm sound, press the button on the remote control briefly (2x short "beep" and the red light flashes twice). The external siren will "beep" twice as well. Then the red light will stop flashing.

The max. distance required to disarm the car alarm before getting back into the vehicle is 10m on an open field.

NOTICE

The remote control may be operated from outside the closed vehicle, through the window.

Shut OFF the Car Alarm

If you press the remote control button and hold it down (4-5 seconds) you will hear 4x short “beep”.

Following this, the car alarm’s battery will be turned off. This means that the not only will the PIR sensor be shut off, the entire car alarm will be shut off for prolonged use or for transportation.

NOTICE

The shut off feature does not work when the car alarm is connected

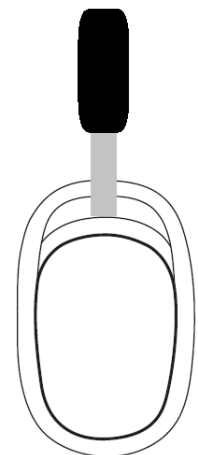
The car alarm can only be activated/armed again if you:

- plug it into the cigarette lighter socket
- connect it via MicroUSB
- as soon as the cigarette lighter socket gives a new charge impulse to the device, if it is still plugged into the cigarette lighter socket.

The remote control and the panic button are not functional when the device is shut off.

Change remote control battery

If the remote control stops working, then you must change the battery (CR2032). To change the battery, open the remote control. Use a flat, wide object to remove the rear cover of the remote control. To do this, insert the corresponding object into the groove on the top. Now, carefully pry open the back cover. You will now see the circuit board with the battery. Change the battery and close the remote control.



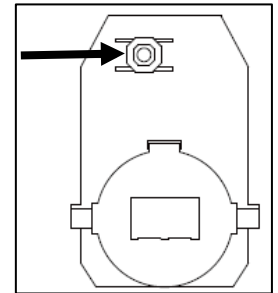
Pair a new remote control

- Open the remote control. Use a flat, wide object to remove the rear cover of the remote control. To do this, insert the corresponding object into the groove on the top. Now, carefully pry open the back cover. You will now see the circuit board with the battery.

NOTICE

If no battery is inserted, insert a battery (CR2032)

- Press and hold the panic button of the car alarm for 3-4 seconds till the LED comes on. It will light flashing mixed colors flashing (red/green/blue). This activates the pairing mode.
- Press the button (8) on the circuit board once. The light for the circuit board will flash blue once.
- Wait for 15 seconds until the mixed colored lights (red/green/blue) of the car alarm turn off.



Status	LED Indication
Pair mode	Flash mixed color (red/green/blue) continuously

- The pairing mode is successful. You can now control the car alarm using the new remote control.
- Close the back cover of remote control.

USB charger function

If the car alarm is powered from a vehicle cigarette lighter socket, you can connect the USB-C/USB to your mobile phone with a USB cable* (*not included). The car alarm will now work as a mobile phone charger. It is also possible to charge other devices via USB.

NOTICE

The maximum output of the USB is 2.4A, while that of the USB-C is

Panic mode

▲ WARNING

The alarm sound will be about 105dB and can cause harm to your health as well as to the health of any passengers in your vehicle.

If an emergency occurs, press the button for the car alarm and the alarm will blare loudly to alert the people around you. When you press the button again, the alarm will deactivate.

Troubleshooting

- Remote does not work:

1. Remove the small plastic strip on the top of the remote control.
2. Open the remote and check if to see if a battery has been inserted

Technical Specifications

Detecting distance	~9.8ft (3m) car interior (without obstacles (e.g. rear wall in trucks))		
Detecting range	120° cone angle		
Distance IR remote control	~32.8ft (10m) (open field)		
Alarm time (car alarm)	120seconds maximum		
Alarm volume (car alarm)	105dB		
Alarm time (siren)	30 seconds maximum		
Alarm volume (siren)	105dB (lower when mounted in engine compartment)		
USB output	DC5V / 2.4A (total)		
USB-C output	DC5V / 3.0A (total)		
Micro USB input	DC5V / 500mA		
Power	Built-in rechargeable 500mAh lithium polymer battery 3.7V		
Charging time	~2 hours		
Working time	~7 days (by alarm once a day)		
Standby time	~14 days		
Input voltage (car alarm)	DC12 & 24V (cigarette lighter socket)		
Charging current (car alarm)	500mA		
Operating current (car alarm)	600mA		
Input voltage (siren)	DC12 & 24V (direct connection with car battery)		
Operating current (siren)	100mA		
Remote battery	CR2032		
Blade fuse siren	3A (replaceable); regular size		
Cable length of siren	4.9ft (1.5m)		
Transmission frequency	2.4GHz		
Frequency type	ASK		
Radiated output power	maximum 15.85mW (by pressing remote control button, not continuously)		
Material	ABS		
Operating temperature	14°F/-10°C – 122°F/+50°C		

Weight / dimensions (car alarm)	2.44oz / (L) 1.18 x (W) 1.18x (H) 5.31 inch 69g / (L) 3.0 x (W) 3.0x (H) 13.5 cm
Weight / dimensions (siren with connection cable and fuse)	4.23 oz / (L) 2.87 x (W) 2.24 x (H) 2.44 inch 120g / (L) 7.3 x (W) 5.7 x (H) 6.2 cm
Weight / dimensions (remote)	0.56 oz / (L) 2.32 x (W) 1,46 x (H) 0.39 inch 16 g / (L) 5.9 x (W) 3.7 x (H) 1.0 cm
Package Contents	Universal Auto Alarm Pro TX-168: Car alarm, external siren with connection cable and 3A fuse, remote control (with CR2032 battery), mounting material, user manual

Disposal

Waste electrical equipment from private households

● If you no longer have any use for the device, hand it in free of charge at a public collection point designated for old electrical devices. ● Under no circumstances should old electrical equipment be disposed of in the domestic or household waste.

Further notes on disposal

● Always return the old electrical equipment so that its subsequent reuse or recycling is not impaired. Batteries must be removed beforehand and damage to containers containing liquids must be avoided.

● Waste electrical equipment may contain harmful substances. If the device is handled improperly or damaged, this may result in damage to health or contamination of water and soil during subsequent recycling.

Support

Free email: support@technaxx.de

Warranty

Thank you for your interest in the products and services of Technaxx Deutschland GmbH & Co.KG. This limited warranty applies to physical goods, and only for physical goods, purchased from Technaxx Deutschland GmbH & Co.KG.

This Limited Warranty covers any defects in material or workmanship under normal use during the warranty period. During the warranty period, Technaxx Deutschland GmbH & Co.KG will repair or replace defective products or parts of a product that become defective due to improper material or workmanship, under normal use and maintenance.

The warranty period for physical goods purchased from Technaxx Deutschland GmbH & Co.KG is one (1) year from the date of purchase. A replacement physical good or part assumes the remaining warranty of the original physical good or one (1) year from the date of replacement or repair, whichever is longer.

This limited warranty does not cover any problem that is caused by:

- conditions, malfunctions or damage not resulting from defects in material or workmanship

To obtain warranty service, you must first contact us to determine the problem and the most appropriate solution for you.

Technaxx Deutschland GmbH & Co.KG, Konrad-Zuse-Ring 16-18,
61137 Schöneck, Germany

* www.technaxx.de * support@technaxx.de *