

IQ sound[®]

IQ-3520RGB

Instruction Manual



To ensure correct operation and avoid damage, please read this user manual carefully before using this product.

Features

- 2.0CH portable Bluetooth speaker
- TWS function, achieve true wireless playing with double enhanced stereo sound
- Optimized voice assistant control
- Hands-free Mic for easy picking up the call
- Three different modes of RGB Lighting
- With A2DP Bluetooth, wireless stream music from any Bluetooth-enabled device
- USB support
- FM radio
- Line-in function, suitable for PC, MID, TV and other audio devices
- Built-in lithium rechargeable battery 1500mAh

Specifications

Bluetooth version: V5.1

Speaker Size: 2 inch*2

RMS power output: 8W, 4Ω

Peak power output: 16W, 4Ω

Battery Capacity: 3.7V, 1500mAh

Play time: 3 hours at maximum volume & 7 hours at 50% volume

MAX CAPACITY FOR USB INPUT: 32GB

Frequency Response: 80HZ-20KHZ

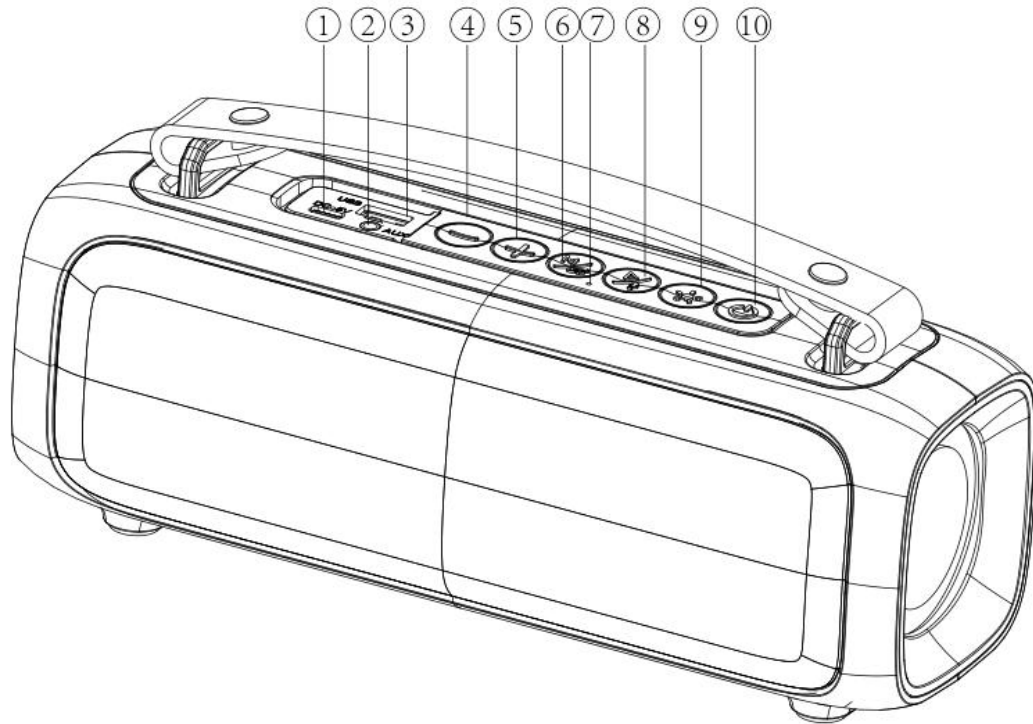
Bluetooth connecting range: 10m

Product size: 255(L)*87(W)*110(H)MM

Package Contents

- 1x Portable Bluetooth Speaker
- 1x Type-C Charging cable
- 1x Audio cable
- 1x User manual

Product Details



- ① Type-C Charging Jack
- ② AUX Port
- ③ USB Port
- ④ Backward/Volume Down
- ⑤ Forward/Volume Up
- ⑥ Mode/TWS Button
- ⑦ Built-in Mic hole
- ⑧ Play/Pause & Voice Assistant Button
- ⑨ RGB Light
- ⑩ Power Button

Power On/Off

Long-press the Power button to turn the speaker on and off.

Bluetooth

- Turn the power button to “ON”. The speaker enter Bluetooth mode automatically.
- Activate *Bluetooth* of mobile phone and search for device name “IQ-3520RGB” then connect it.
- Play the music from your mobile phone and enjoy.
- Long-press Forward or Backward button to select songs.
- Short-press Forward or Backward button to adjust volume up and down.
- Short-press Play/Pause button to play/pause the music.
- Long-press the RGB Light button to disconnect the Bluetooth connection with the mobile device.

TWS Function

- Turn on two identical speakers you want to pair, both under BT mode. Only need to set one of the two units.
- Long-press the TWS button to pair, speaker will make a tone to start to pair, and make a tone again after paired successfully.
- Make Bluetooth connection with your mobile phone to play music by the two paired Speakers.
- Long-press the TWS button again to exit TWS function.

Playing music from USB disk

- Turn the Power button to "ON".
- Insert USB flash disk into slot, the speaker will play the stored music automatically.
- Long-press Forward or Backward button to select songs you like, short-press to adjust the volume up and down.
- Short-press Play/Pause to play or pause.

Notes: Under any playing mode, when you insert a USB disk to the speaker, it will switch to play the USB disk.

FM Radio

- Under FM radio state, the charging cable provided treat as antenna, please Insert the charging cable to the charging port before using.
- Turn the power button to "ON", short-press the "MODE" button to enter radio state.
- Short-press "Play/Pause" button to mute the speaker. Long-press "Play/Pause" button to auto scan the FM Channel and store it automatically.
- Long-press Forward or Backward button to change the stored FM channel, short-press to adjust the volume up and down.

AUX-IN

- For other compatible music devices, use an audio line cable to connect from the device's "Line Out" to the "Aux In" of this device, then enjoy...
- Under any playing mode, when you use the audio cable to connect the device, it will auto-switch to the AUX mode.
- When using an external device, all functions can be controlled by the external device.

RGB Light

The RGB light is on when speaker powered on, user can short-press the RGB Light button to turn the three different light modes and turn it off.

Activating Voice Assistant

- Make Bluetooth connection with your mobile phone.
- Long-press Voice Assistant button to activate voice assistant.

Hands-free call

- Under Bluetooth connection status, if there is an incoming call, user can short-press Play/Pause button to accept the call or long-press Play/Pause button to reject the call.
- During the call, user can long-press Play/Pause button to switch to talking on the phone.
- Short-press Play/Pause button or operate on mobile phone to end the call.

Reset Functionality

If the speaker does not turn off or respond, user can short-press the RESET button in Aux Port with a small round pin.

More Remarks

- Default volume is at 50% status of max volume.
- Play time may vary depending on volume level and music style.

How to charge

- The charger is not included in the package, please charge this speaker via a standard 5V/1~3A charger or via a PC.
- Charge time should be 3 hours. Once the speaker is full charged, the charging indicator will be off.
- The unit does not have power bank function, it is forbidden to charge other device via this unit or to connect other device via the USB port.
- To protect the battery, please do not use the speaker while it is charging.

Warning

- Please store and use this product in an environment of normal temperature.
- Please do not expose this product to rain or moisture environment.
- Please do not disassemble, repair or modify this product by yourself without authorization.
- When cleaning this product, please use a soft cloth or with little water if needed, please do not use chemicals for cleaning.
- In order to have an extended product life and protect your hearing, please avoid listening to songs on maximum volume for long time.
- The product is with built-in lithium battery, to avoid dangers, please do not discard or put it in the fair.

FCC STATEMENT

1. This device complies with Part 15 of the FCC Rules. Operation is subject to the following two conditions:

(1) This device may not cause harmful interference, and

(2) This device must accept any interference received, including interference that may cause undesired operation.

2. Changes or modifications not expressly approved by the party responsible for compliance could void the user's authority to operate the equipment.

NOTE: This equipment has been tested and found to comply with the limits for a Class B digital device, pursuant to Part 15 of the FCC Rules. These limits are designed to provide reasonable protection against harmful interference in a residential installation.

This equipment generates, uses and can radiate radio frequency energy and, if not installed and used in accordance with the instructions, may cause harmful interference to radio communications. However, there is no guarantee that interference will not occur in a particular installation. If this equipment does cause harmful interference to radio or television reception, which can be determined by turning the equipment off and on, the user is encouraged to try to correct the interference by one or more of the following measures:

Reorient or relocate the receiving antenna.

Increase the separation between the equipment and receiver.

Connect the equipment into an outlet on a circuit different from that to which the receiver is connected.

Consult the dealer or an experienced radio/TV technician for help.

RF warning statement:

The device has been evaluated to meet general RF exposure requirement. The device can be used in portable exposure condition without restriction.

WARRANTY

Supersonic Inc. ("Supersonic") warrants this product to the original purchaser ONLY, to be free from defects in materials and workmanship under normal use, for ninety (90) DAYS from the date of original purchase. Proof of purchase (receipt) required. Please visit

<https://www.supersonicinc.com/pages/warranty> for additional information.

Garantía

Declaración básica de garantía Supersonic Inc. ("Supersonic") garantiza este producto al comprador original SOLAMENTE, para estar libre de defectos en materiales y mano de obra bajo uso normal, por noventa (90) DÍAS a partir de la fecha de compra original. Se requiere una prueba de compra (recibo).

Visite <http://www.supersonicinc.com/warranty> para obtener información adicional.