

Starfrit



ELECTRIC HOT WATER DISPENSER DISTRIBUTEUR D'EAU CHAUDE ÉLECTRIQUE DISPENSADOR DE AGUA CALIENTE ELÉCTRICO

INSTRUCTIONS FOR USE AND CARE

INSTRUCTIONS POUR L'USAGE ET L'ENTRETIEN

INSTRUCCIONES DE USO Y MANTENIMIENTO

P. 3

P. 11

P. 19

OPERATING AND SAFETY INSTRUCTIONS

Item no.	Voltage (V)	Wattage (W)	Frequency (Hz)
024014	120	750	60

IMPORTANT SAFEGUARDS

READ THE INSTRUCTIONS BELOW BEFORE USE

WARNING: To reduce the risk of fire, electrical shock, serious personal injury and/or property damage:

- A. DO NOT touch hot surfaces. ALWAYS use the handle while the appliance is in use. Use protective oven mitts or gloves to avoid burns or serious personal injury.
- B. To protect against electric shock, DO NOT immerse power cord, plug or appliance in water or any other liquid.
- C. Keep the appliance out of the reach of children and people with reduced physical, sensory, or mental capabilities or lack of experience. This appliance is not intended for use by children. Close adult supervision is necessary when any appliance is used near children.
- D. Unplug from electrical outlet before cleaning or when not in use. Allow to cool down completely before assembling, disassembling, relocating, or cleaning the appliance.
- E. DO NOT operate the appliance if it has a damaged power cord or plug, or after the appliance malfunctions or has been damaged in any manner. DO NOT attempt to examine or repair this appliance yourself. For further assistance, please contact customer service to the following address: www.starfrit.com/en/contact-us
- F. DO NOT open the lid of the appliance while water is boiling as this is going to lead to scalding or serious personal injury.
- G. NEVER fill the appliance beyond the indicator line as this may cause splashing of boiling water, leading to a burn or scalding. Ensure that the lid is secured accordingly.
- H. DO NOT leave the appliance unattended while it is in use. ALWAYS unplug the product from the electrical outlet when not in use.
- I. DO NOT touch, cover, or obstruct the steam holes as it is extremely hot and may cause scalding.
- J. To disconnect, switch appliance to OFF by pressing the POWER button then remove plug from the outlet. Pull directly on the plug—DO NOT pull on the power cord.

- K. DO NOT plug or unplug the appliance into/from the electrical outlet with a wet hand.
- L. Take proper precautions to prevent burns, fire, or personal or property damage as this appliance generates heat and steam during use.
- M. Use the appliance in a well-ventilated area. DO NOT operate the appliance directly under kitchen cabinets.
- N. This appliance is intended for indoor, non-commercial use. DO NOT use outdoors or for any other purpose.
- O. DO NOT use attachments not recommended or sold by the product manufacturer. The use of accessory attachments not recommended by the appliance manufacturer may cause injuries.
- P. DO NOT let the cord hang over the edge of a table or counter or touch hot surfaces, as you may trip and fall or cause the hot contents of the appliance to spill and possibly cause burns or injuries.
- Q. DO NOT place the appliance on or near a hot gas or electric burner, or in a heated oven or microwave oven.
- R. ALWAYS place the appliance on a flat, stable surface—it is not recommended to use the appliance on temperature sensitive surfaces.
- S. Connect the power plug to an easily accessible outlet so the appliance can be unplugged immediately in the event of an emergency.
- T. Extreme caution must be used when moving an appliance containing hot liquids.

SAVE THESE INSTRUCTIONS FOR FUTURE REFERENCE

GROUNDING PLUG: As a safety feature, this appliance is equipped with a grounded plug, which will only fit into a three-prong outlet. DO NOT attempt to defeat this safety feature. Improper connection of the grounding conductor may result in the risk of electrical shock. Consult a qualified electrician if you are in doubt as to whether the outlet is properly grounded.

SPECIAL INSTRUCTIONS: A short power supply cord used to reduce the risk resulting from it being grabbed by children, becoming entangled in, or tripping over a longer cord.

DO NOT alter the plug. **DO NOT** attempt to defeat the safety purpose of the grounded plug.

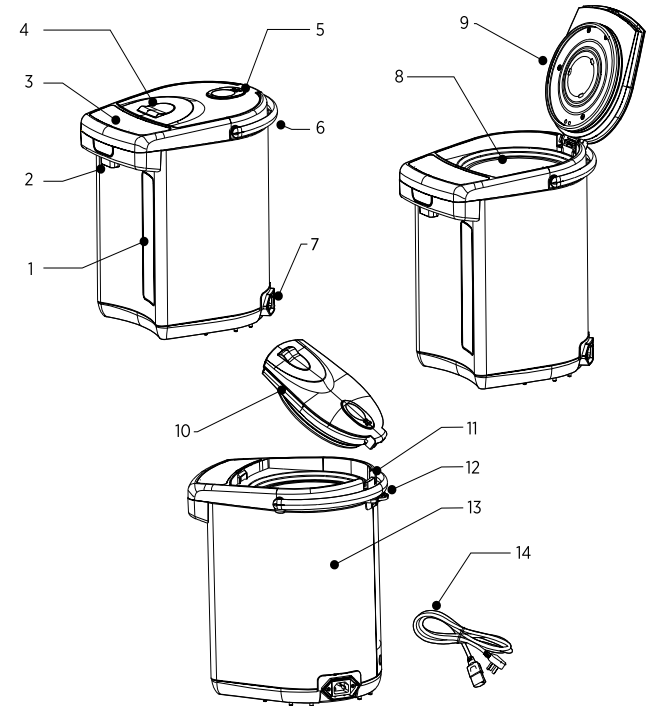
AN EXTENSION CORD MAY BE USED IF CARE IS EXERCISED IN THEIR USE:

- Minimize the risk of overheating by using the shortest UL or ETL listed cord possible.
- The marked electrical rating must be at least as great as that of the product.
- NEVER use a single extension cord to operate more than one appliance.
- Arrange the longer cord so that it will not drape over a countertop or tabletop where it can be tripped over, snagged, or pulled on unintentionally (especially by children).

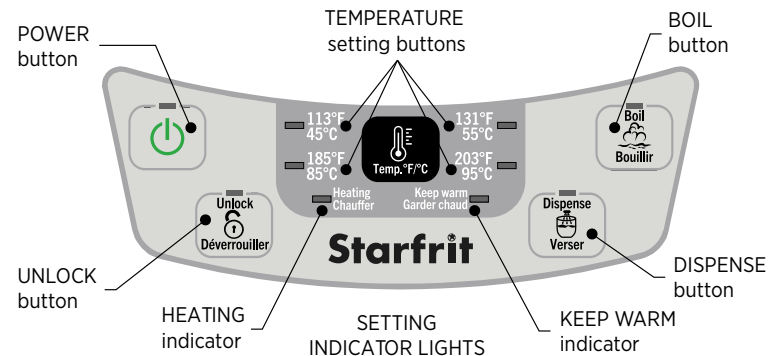
DESCRIPTION

PARTS AND COMPONENTS

1. Water level
2. Water outlet
3. Control panel
4. Lid lever
5. Steam vent
6. Unit handle
7. Socket outlet
8. Stainless steel tank
9. Lid seal
10. Removable lid
11. Lid locking mechanism
12. Lid latch
13. Main body
14. Power cord



DIGITAL CONTROL PANEL



FUNCTION DESCRIPTION

FUNCTIONS	DESCRIPTION
POWER switch	Once the POWER button is engaged, the 203 °F (95 °C), BOIL and HEATING indicators will light up. This indicates that the appliance is now heating up the water to boil first and will maintain the water at 203 °F (95 °C) once the temperature drops to set temperature. Press the POWER button again, the appliance will go back to the STANDBY mode and the POWER button indicator light will blink.
UNLOCK button	Press the UNLOCK button to unlock the water dispenser. The UNLOCK indicator will light up in red. If the DISPENSE button is not engaged within 10 seconds, the water dispenser will be locked anew.
DISPENSE button	Press and hold the DISPENSE button after pressing the UNLOCK button to dispense hot water. The DISPENSE indicator will light up when button is pressed and go OFF when button is released. 10 seconds after releasing the DISPENSE button, the UNLOCK indicator light will go OFF, indicating that the water dispenser is now locked. The DISPENSE button will not function as long as the UNLOCK button has not been pressed prior to dispensing.
HEATING indicator	The HEATING indicator light will be illuminated until the selected temperature is reached.
TEMPERATURE setting button	The preset temperatures include 113 °F, 131 °F, 185 °F and 203 °F (45 °C, 55 °C, 85 °C and 95 °C), and the default temperature setting is 203 °F (95 °C) once the POWER button is pressed. After selecting your temperature, the indicator will blink until it reaches his temperature.
KEEP WARM indicator	The KEEP WARM indicator will turn ON once preset temperature is reached.
BOIL button	The BOIL setting will be ON by default. During the heating process, press the BOIL button once to cancel this setting, the appliance will then bring the water up to the preset temperature then switch to KEEP WARM. Ex: If the current water temperature is less than 113 °F (45 °C), the water will be heated to 113 °F (45 °C). If the current water temperature is more than 113 °F (45 °C), the water will cool down automatically to 113 °F (45 °C). Under the KEEP WARM condition, press the BOIL button once, the appliance will enter HEATING mode and keep heating until the water boils, removing contaminants and chlorine from water. NOTE: Only deactivate the BOIL function if you are using water that can be consumed safely without needing to boil it first. If tap water is used, it is recommended to boil it first, otherwise you will drink water that is warm and not boiled.
SETTING indicator light	Press the TEMPERATURE button to select the desired water temperature. The TEMPERATURE button is sequential going from lowest temperature 113 °F (45 °C) up to 203 °F (95 °C).

NOTE: The temperature selected will be the temperature that will be kept warm.

WARNING: When BOIL function is ON, water will not immediately drop to 113 °F (45 °C) after it boils even if preset temperature is 113 °F (45 °C).

BEFORE INITIAL USE

READ THE INSTRUCTIONS BEFORE FIRST USE

If you are using the water dispenser for the first time, it is recommended that you clean your water dispenser beforehand by boiling max capacity of water twice and then discarding the water.

1. Remove and discard any packaging, sticker, or promotional labels/materials before first use.
2. Open the lid by lifting the lever on the lid.
3. Clean the water tank with warm water using a non-abrasive sponge and dry thoroughly.

WARNING: Before each use, verify that the silicone gasket located on the inside of the lid is properly placed in the groove of the lid. To ensure proper placement, apply equal pressure on the entire surface of the silicone gasket until it is properly placed in the groove.

WARNING: DO NOT immerse body, electrical cord or plug in water or any other liquid.

4. Wipe the exterior lid and body with a damp cloth and dry thoroughly.
5. Close the appliance.

NOTE: During first use of the appliance, smoke and/or a slight odour may occur from the appliance. This is normal and will quickly disappear. It will not reoccur after appliance has been used a few more times.

BOIL-DRY PROTECTION

Should you accidentally allow the appliance to operate without water, the boil-dry protection will automatically switch it off. If this should occur, allow the appliance to cool before filling it with cold water and re-boiling.

HOW TO USE

READ THE INSTRUCTIONS BEFORE USE

NOTE: DO NOT operate the appliance directly under kitchen cabinets. Provide adequate space above and around the appliance for air circulation.

NOTE: Before each use, ensure the sealing ring is properly installed. Ensure the lid is tightly closed before operating.

WARNING: DO NOT touch, cover, or obstruct the steam vent as it is extremely hot and may cause scalding. Hot Steam will escape from the vent when water is boiling.

1. Place the appliance on a flat, stable, heat resistant surface.
2. Press down the lid lever and then pull the top lid upwards to open.



3. Add water in the inner stainless-steel water tank without exceeding the maximum capacity.
NOTE: Ensure that the minimum quantity of water is at least 1/5 full. DO NOT fill the appliance over max line, as water may spill out of the water outlet when boiling.
4. Close the lid securely until the base and the lid are properly aligned. You can also hear a “click” when lid is properly closed.
NOTE: Ensure the sealing ring on the inside of the lid is properly installed before operating. DO NOT operate if the sealing ring is damaged. Ensure that the lid is firmly closed before plugging the power outlet.
5. Insert the power cord into the socket outlet of the main body, then plug the power cord into a 120 V AC wall outlet. Appliance will beep and power light will blink.
6. Press the POWER button once, the appliance will default at 203 °F (95 °C) with BOIL function on. The appliance will then heat the water to boil first, then maintain it at 203 °F (95 °C) once the water cools down. The KEEP WARM indicator will illuminate when the appliance is under the KEEP WARM condition when the preset temperature has been reached.
WARNING: When BOIL function is ON, water will not immediately drop to 113 °F (45 °C) after it boils even if preset temperature is 113 °F (45 °C).
7. Press TEMPERATURE button to select desired temperature from 113 °F, 131 °F, 185 °F and 203 °F (45 °C, 55 °C, 85 °C to 95 °C). The appliance will boil the water and will switch into KEEP WARM function at the selected temperature, its corresponding indicator will stop blinking when the selected temperature has been reached and will stay at the desired temperature until power off.
WARNING: Use extreme caution when opening the lid as hot steam will escape and may cause scalding. Use protective oven mitts or gloves to avoid burns or serious personal injury.
8. During the heating process, if you do not wish to boil the water, press the BOIL button once to deactivate the boil function. Water will heat up until selected temperature is reached and KEEP WARM will engage. If you decide to boil the water, simply reactivate the BOIL function. Appliance will go from KEEP WARM to HEATING until the water boils. After the water boils, the appliance will switch back to KEEP WARM.
9. Once the selected temperature has been reached, you may dispense water. To dispense water, you must press the UNLOCK button followed by the DISPENSE button. The appliance will lock itself 10 seconds after the DISPENSE button has been released. The UNLOCK indicator light will turn OFF.
NOTE: DO NOT dispense water when the water is boiling or within 5 minutes after the water is boiled. Avoid moving the appliance when dispensing water.
NOTE: Should you accidentally allow the appliance to operate without water, the boil-dry protection will automatically switch it off. If this should occur, allow the appliance to cool before filling it with cold water and re-boiling.
10. After using the appliance, press the POWER button to turn OFF the appliance.
11. Unplug the appliance from the electrical outlet. Allow to cool down completely before cleaning (see **CLEANING AND CARE Instructions**).

CLEANING AND CARE

ALWAYS disconnect the appliance from the power outlet and leave it to cool down completely before cleaning.

NEVER immerse the appliance or cord in water or allow moisture to contact these parts.

- Wipe the external housing and lid with a damp cloth or cleaner.
- DO NOT rinse the main body with water; otherwise, water may damage the electrical components inside the body and the electrical outlet on the bottom of the body.
- Wipe the inner stainless-steel water tank with a non-abrasive sponge soaked with water and dry thoroughly before storage.
- DO NOT use detergent for cleaning; otherwise, it will leave a bad smell.
- DO NOT use gasoline or turpentine for cleaning to avoid damaging the surface.

LID

Detach the lid completely to empty the residual water in the inner cavity by following the operation as below:

1. Open the lid using the lever then pull the lid upwards while pressing down on the lid latch located behind the water dispenser.
2. To put the lid back onto the dispenser, fix the rotation shaft of lid into the fixing slot of top lid.

NOTE: Make sure there is no water left in the inner cavity if the appliance is not used

SEALING RING

The sealing ring located on the inside of the lid needs to be cleaned frequently or replaced if it is broken or not assembling properly to prevent the steam from leaking from the clearance of the lid. The sealing ring can be removed directly and cleaned out.

NOTE: Before each use, ensure the sealing ring is properly installed. Ensure the lid is tightly closed before operating.

REMOVAL OF MINERAL DEPOSITS

Mineral deposits in tap water may cause discoloration in the water tank surfaces. To remove this build-up, use nontoxic scale/lime remover and follow its manufacturer’s directions.

ALTERNATIVELY

1. Fill the appliance with 6 cups of white vinegar and the remainder with water and let it sit overnight. DO NOT boil.
2. Empty the solution from the appliance. Any stains remaining inside the spout can be removed by wiping with a damp cloth. Fill the appliance with clean water, bring to a boil and then discard the water.
3. Repeat Step 2, then the appliance will be ready to use.

CLEANING EXTERNAL HOUSING

Wipe the external housing with a damp cloth or cleaner.

CAUTION: DO NOT use chemicals, steel, wooden or abrasive cleaners to clean the outside of the appliance.

STORAGE

When not in use or storage, the power cord may be wrapped and placed inside the appliance.

Store the appliance in a cool, dry place.

WARRANTY

1-YEAR LIMITED WARRANTY.

This warranty covers any defects in materials and workmanship for a period of one (1) year from the date of the original purchase. Please retain your original receipt as a proof of the purchase date. Any complaints must be registered within the warranty period. The product will be repaired, replaced (parts or entire appliance) or refunded at our sole discretion. Shipping charges may apply.

This warranty does not cover normal wear of parts or damage resulting from any of the following:

Negligent use or misuse of the product including failure to clean the product regularly, use for commercial purposes, accident, use on improper voltage or current, use contrary to the operating instructions, disassembly, repair or alteration by anyone other than a STARFRIT authorized service agent.

Stains, discoloration and minor scratches on the inside and outside of the utensil constitute normal use, do not affect performance, and are not covered by this warranty.

Decisions as to the cause of damage are the responsibility of STARFRIT. All decisions will be final.

INSTRUCTIONS DE FONCTIONNEMENT ET DE SÉCURITÉ

No. de l'article	Tension (V)	Puissance (W)	Fréquence (Hz)
024014	120	750	60

DIRECTIVES IMPORTANTES LIRE LES INSTRUCTIONS CI-DESSOUS AVANT D'UTILISER L'APPAREIL

ATTENTION: Pour réduire les risques d'incendie, d'électrocution, de blessures graves et/ou de dommages matériels:

- A. NE PAS toucher les surfaces chaudes. Toujours utiliser la poignée lorsque l'appareil est en fonction. Utiliser des mitaines ou des gants de protection pour éviter les brûlures ou les blessures graves.
- B. Pour éviter tout risque d'électrocution, NE PAS immerger le cordon d'alimentation, la fiche ou l'appareil dans l'eau ou dans tout autre liquide.
- C. Tenir l'appareil hors de la portée des enfants et de personnes aux capacités physiques, sensorielles et mentales réduites ou qui n'ont pas d'expérience. Cet appareil ne doit pas être utilisé par des enfants. La supervision étroite d'un adulte est nécessaire lorsque l'appareil est utilisé à proximité d'enfants.
- D. Débrancher l'appareil de la prise électrique lorsqu'il n'est pas en fonction ou avant de procéder au nettoyage. Laisser l'appareil refroidir avant de l'assembler, de le démonter, de le déplacer ou de le nettoyer.
- E. NE PAS utiliser l'appareil si le cordon électrique ou la prise électrique sont endommagés, si l'appareil a subi une quelconque défaillance ou s'il a été endommagé. NE PAS tenter de réparer l'appareil. Pour obtenir une aide supplémentaire, communiquer avec le service à la clientèle à l'adresse suivante: www.starfrit.com/fr/contactez-nous
- F. NE PAS ouvrir le couvercle de l'appareil lorsque l'eau est en ébullition, afin d'éviter tout risque de brûlure ou de blessure grave.
- G. NE JAMAIS remplir l'appareil au-delà de la limite maximale, pour éviter les éclaboussures d'eau bouillante, les brûlures et les ébouillantage. Vérifier que le couvercle est correctement refermé.
- H. NE JAMAIS laisser l'appareil sans surveillance lorsqu'il est en fonction. NE PAS déplacer l'appareil lorsqu'il est en fonction.
- I. NE PAS toucher, couvrir ou obstruer les événements d'évacuation de la vapeur, car ils sont extrêmement chauds et peuvent provoquer des brûlures.
- J. Pour débrancher l'appareil, mettre l'appareil hors tension en appuyant sur l'interrupteur d'alimentation, puis débrancher la fiche de la prise de courant. Tirez directement sur la fiche — NE PAS tirer sur le cordon d'alimentation.
- K. NE JAMAIS brancher ou débrancher l'appareil de la prise d'alimentation lorsque vous avez les mains humides.

- L. Prendre les précautions nécessaires pour éviter les brûlures, les incendies et les dommages personnels ou matériels, car cet appareil génère de la chaleur et de la vapeur pendant son utilisation.
- M. Utiliser l'appareil dans un endroit bien ventilé. NE PAS utiliser l'appareil directement sous les armoires de cuisine.
- N. Cet appareil est destiné à un usage intérieur, non commercial, Il ne doit pas être utilisé à l'extérieur ou à d'autres fins.
- O. NE PAS utiliser d'accessoires non recommandés par le fabricant ou non vendus par celui-ci avec cet appareil. L'utilisation d'accessoires non recommandés par le fabricant pourrait causer des blessures.
- P. NE PAS laisser pendre le cordon sur le bord d'une table ou d'un comptoir ou toucher des surfaces chaudes, car vous risquez de trébucher et de tomber ou de renverser le contenu chaud de l'appareil et de vous brûler ou de vous blesser.
- Q. NE PAS placer l'appareil sur ou à proximité d'un brûleur électrique, d'un brûleur à gaz, dans un four chaud ou un four à micro-ondes.
- R. TOUJOURS installer l'appareil sur une surface plane et stable. Il n'est pas recommandé d'utiliser cet appareil sur des surfaces sensibles à la chaleur.
- S. Brancher la fiche d'alimentation sur une prise facilement accessible afin de débrancher immédiatement l'appareil en cas d'urgence.
- T. Faire preuve d'une extrême prudence lors du déplacement d'un appareil contenant des liquides chauds.

VEUILLEZ CONSERVER CES INSTRUCTIONS POUR RÉFÉRENCE

FICHE AVEC MISE À LA TERRE: par mesure de sécurité, cet appareil est équipé d'une fiche avec mise à la terre, qui ne peut être branchée que dans une prise à trois fiches. NE PAS essayer de contourner ce dispositif de sécurité. Une connexion incorrecte du conducteur de mise à la terre peut entraîner un risque de choc électrique. Consulter un électricien qualifié si vous avez des doutes quant à la mise à la terre de la prise.

RECOMMANDATIONS PARTICULIÈRES: Un cordon d'alimentation court est fourni afin de réduire les risques de vous emmêler ou de trébucher sur un cordon d'alimentation plus long.

NE PAS modifier la fiche. **NE PAS** tenter de contourner le mécanisme de sécurité de la fiche.

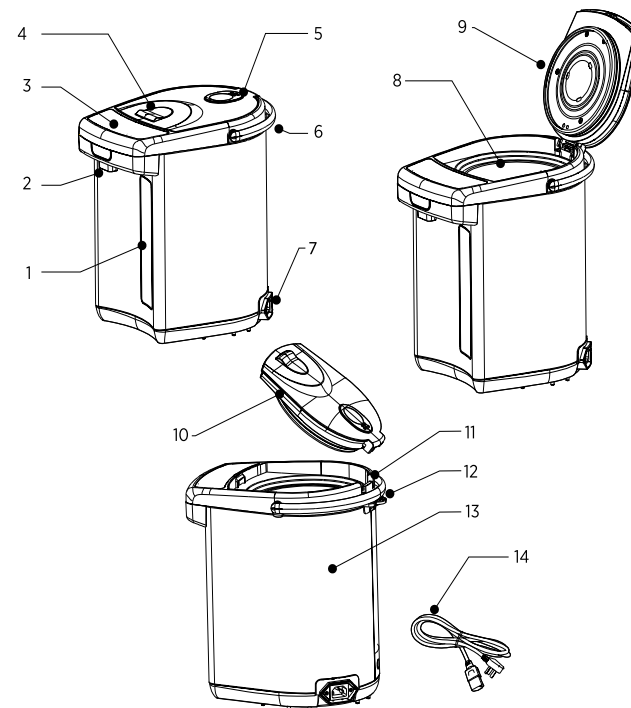
UNE RALLONGE PEUT ÊTRE UTILISÉE SI ELLE EST MANIPULÉE AVEC PRÉCAUTION:

- Pour réduire le risque de surchauffe, utiliser le cordon le plus court possible, homologué UL ou ETL.
- La puissance électrique indiquée doit être au moins égale à celle de l'appareil.
- NE JAMAIS utiliser une seule rallonge pour faire fonctionner plus d'un appareil.
- Le cordon le plus long doit être disposé de telle sorte qu'il ne traîne pas sur un plan de travail ou une table où il est susceptible de faire trébucher, de se prendre les pieds ou d'être tiré involontairement (en particulier par les enfants).

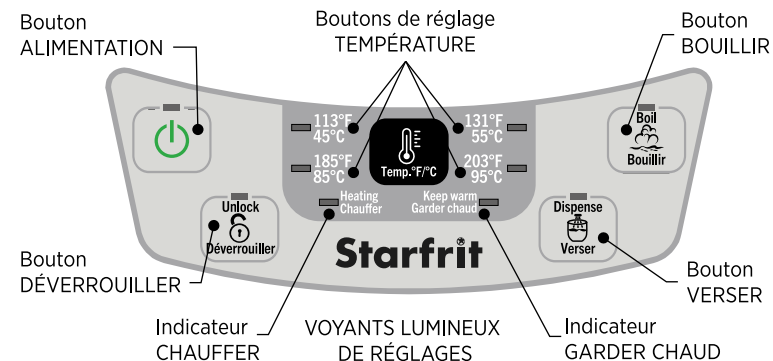
DESCRIPTION

PIÈCES ET COMPOSANTES

1. Niveau d'eau
2. Sortie d'eau
3. Panneau de contrôle
4. Levier du couvercle
5. Événement d'évacuation
6. Poignée de transport
7. Prise de courant
8. Réservoir en acier inoxydable
9. Joint du couvercle
10. Couvercle amovible
11. Mécanisme de verrouillage du couvercle
12. Loquet du couvercle
13. Boîtier
14. Cordon d'alimentation



PANNEAU DE CONTRÔLE



DESCRIPTION DES FONCTIONS

FONCTIONS	DESCRIPTION
Bouton ALIMENTATION	Une fois le bouton ALIMENTATION activé, les indicateurs 95 °C (203 °F), BOUILLIR et CHAUFFER s'allument. Ceci indique que l'appareil chauffe d'abord l'eau pour la faire bouillir et qu'il la maintiendra à 95 °C (203 °F) une fois qu'elle aura atteint la température sélectionnée. Appuyer à nouveau sur la touche ALIMENTATION, l'appareil repasse en mode VEILLE et le témoin lumineux de la touche ALIMENTATION clignote.
Bouton DÉVERROUILLER	Appuyer sur la touche DÉVERROUILLER pour déverrouiller le distributeur d'eau. L'indicateur DÉVERROUILLER s'allume en rouge. Si la touche VERSER n'est pas activée dans les 10 secondes, le distributeur d'eau sera à nouveau verrouillé.
Bouton VERSER	Appuyer sur le bouton VERSER et la maintenir enfoncée après avoir appuyé sur le bouton DÉVERROUILLER pour distribuer de l'eau chaude. Le voyant VERSER s'allume lorsque le bouton est enfoncé et s'éteint lorsque le bouton est relâché. 10 secondes après avoir relâché la touche VERSER, le voyant DÉVERROUILLER s'éteint, indiquant que le distributeur d'eau est maintenant verrouillé. La fonction VERSER ne s'active pas tant que la touche DÉVERROUILLER n'a pas été enfoncée avant la distribution.
Indicateur CHAUFFER	Le témoin lumineux CHAUFFER s'allume jusqu'à ce que la température sélectionnée soit atteinte.
Indicateur TEMPÉRATURE PRÉRÉGLÉE	Les températures préréglées sont 45 °C, 55 °C, 85 °C et 95 °C (113 °F, 131 °F, 185 °F et 203 °F) et la température par défaut est 95 °C (203 °F) une fois que le bouton ALIMENTATION est enfoncé. Après avoir sélectionné votre température, l'indicateur clignote jusqu'à ce qu'il atteigne cette température.
Indicateur GARDER CHAUD	L'indicateur GARDER CHAUD s'allume lorsque la température préréglée est atteinte.
Bouton BOUILLIR	Le réglage BOUILLIR est activé par défaut. Pendant le processus de chauffage, appuyer une fois sur la touche BOUILLIR pour annuler ce réglage. L'appareil amènera alors l'eau à la température préréglée, puis passera en mode GARDER CHAUD. Ex. : Si la température actuelle de l'eau est inférieure à 45 °C (113 °F), l'eau sera chauffée à 45 °C (113 °F). Si la température actuelle de l'eau est supérieure à 45 °C (113 °F), l'eau sera refroidie automatiquement à 45 °C (113 °F). En mode GARDER CHAUD, appuyer une fois sur le bouton BOUILLIR, l'appareil passe en mode CHAUFFER et continue à chauffer jusqu'à ce que l'eau bout, éliminant ainsi les contaminants et le chlore présents dans l'eau. NOTE: Ne désactiver la fonction BOUILLIR que si l'eau qui peut être utilisée en toute sécurité n'a pas besoin d'être bouillie au préalable. Il est recommandé de faire bouillir l'eau du robinet avant de l'utiliser, sans quoi vous boirez de l'eau tiède qui n'a pas été bouillie.
Bouton TEMPÉRATURE PRÉRÉGLÉE	Appuyer sur le bouton TEMPÉRATURE pour sélectionner la température de l'eau souhaitée. La fonction TEMPÉRATURE est séquentielle, allant de la température la plus basse 45 °C (113 °F) à la température la plus élevée 95 °C (203 °F).

NOTE: La température sélectionnée est celle qui sera gardée chaude.

ATTENTION: Lorsque la fonction BOUILLIR est activée, l'eau ne redescend pas immédiatement à 45 °C (113 °F) après avoir bouilli, même si la température préréglée est de 45 °C (113 °F).

AVANT LA PREMIÈRE UTILISATION

LIRE LES INSTRUCTIONS AVANT L'UTILISATION

Il est recommandé de nettoyer le distributeur d'eau avant de l'utiliser pour la première fois en faisant bouillir deux fois la quantité maximale d'eau, puis en jetant l'eau.

- Retirer et jeter tout emballage, autocollant ou étiquette/matériel promotionnel avant la première utilisation.
- Ouvrir le couvercle en soulevant le levier situé sur le couvercle.
- Nettoyer le réservoir avec de l'eau chaude et une éponge non abrasive et sécher soigneusement.

ATTENTION: Avant chaque utilisation, vérifier que le joint en silicone situé à l'intérieur du couvercle est correctement placé dans la rainure du couvercle. Pour s'assurer que le joint est correctement placé, exercer une pression égale sur toute la surface du joint en silicone jusqu'à ce qu'il soit correctement placé dans la rainure.

ATTENTION: NE PAS immerger le corps, le cordon électrique ou la fiche dans l'eau ou tout autre liquide.

- Essuyer le couvercle extérieur et le corps de l'appareil à l'aide d'un chiffon humide et le sécher soigneusement.
- Fermer l'appareil.

NOTE: Lors de la première utilisation de l'appareil, de la fumée et/ou une légère odeur peuvent se dégager de l'appareil. Ce phénomène est normal et disparaîtra rapidement. Il ne réapparaîtra pas après quelques utilisations supplémentaires de l'appareil.

PROTECTION CONTRE L'ÉBULLITION À SEC

Si vous laissez accidentellement l'appareil fonctionner sans eau, la protection contre l'ébullition à sec l'arrêtera automatiquement. Dans ce cas, laisser l'appareil refroidir avant de le remplir d'eau froide et de le faire bouillir à nouveau.

UTILISATION

LIRE LES INSTRUCTIONS AVANT L'UTILISATION

NOTE: NE PAS faire fonctionner l'appareil directement sous les armoires de cuisine. Prévoir un espace suffisant au-dessus et autour de l'appareil pour permettre la circulation de l'air.

NOTE: Avant chaque utilisation, vérifier que le joint d'étanchéité est correctement installé. S'assurer que le couvercle est bien fermé avant d'utiliser l'appareil.

ATTENTION: NE PAS toucher, couvrir ou obstruer l'évent d'évacuation de la vapeur, car il est extrêmement chaud et peut provoquer des brûlures. De la vapeur chaude s'échappe de l'évent lorsque l'eau bout.

- Placer l'appareil sur une surface plane, stable et résistante à la chaleur.
- Appuyer sur le levier du couvercle et tirer le couvercle vers le haut pour l'ouvrir.



3. Ajouter de l'eau dans le réservoir d'eau intérieur en acier inoxydable sans dépasser la capacité maximale.
NOTE : Vérifier que la quantité minimale d'eau est au moins égale à 1/5 du volume total. NE PAS remplir l'appareil au-delà de la ligne maximale, car de l'eau pourrait s'écouler de la sortie d'eau lors de l'ébullition.
4. Bien refermer le couvercle jusqu'à ce que la base et le couvercle soient correctement alignés. Un clic se fait entendre lorsque le couvercle est correctement fermé.
NOTE : Vérifier que le joint d'étanchéité situé à l'intérieur du couvercle est correctement installé avant de mettre l'appareil en marche. NE PAS utiliser l'appareil si le joint d'étanchéité est endommagé. Vérifier que le couvercle est bien fermé avant de brancher la prise de courant.
5. Insérer le cordon d'alimentation dans la prise de courant du boîtier, puis brancher le cordon d'alimentation à une prise murale de 120 V CA. L'appareil émet un signal sonore et le voyant d'alimentation clignote.
6. Appuyer une fois sur la touche ALIMENTATION, l'appareil se met par défaut à 203 °F (95 °C) avec la fonction BOUILLIR activée. L'appareil chauffera d'abord l'eau jusqu'à ébullition, puis la maintiendra à 203 °F (95 °C) une fois que l'eau aura refroidi. Le voyant GARDER CHAUD s'allume lorsque l'appareil est en mode GARDER CHAUD et que la température pré-réglée est atteinte.
ATTENTION : Lorsque la fonction BOUILLIR est activée, l'eau ne redescend pas immédiatement à 45 °C (113 °F) après avoir bouilli, même si la température pré-réglée est de 45 °C (113 °F).
7. Appuyer sur le bouton TEMPÉRATURE pour sélectionner la température désirée entre 45 °C, 55 °C, 85 °C et 95 °C (113 °F, 131 °F, 185 °F et 203 °F). L'appareil fera bouillir l'eau et passera en mode GARDER CHAUD à la température sélectionnée. Le voyant lumineux correspondant cessera de clignoter lorsque la température souhaitée sera atteinte et restera à la température désirée jusqu'à ce que l'appareil s'éteigne.
ATTENTION : Faire preuve d'une extrême prudence en ouvrant le couvercle, car de la vapeur chaude peut s'en échapper et provoquer des brûlures. Utiliser des mitaines ou des gants de cuisine pour éviter les brûlures ou les blessures graves.
8. Pendant le processus de chauffage, si vous ne souhaitez pas faire bouillir l'eau, appuyer une fois sur la touche BOUILLIR pour désactiver la fonction d'ébullition. L'eau se réchauffe jusqu'à ce que la température sélectionnée soit atteinte et la fonction GARDER AU CHAUD est activée. Si vous décidez de faire bouillir l'eau, il vous suffit de réactiver la fonction BOUILLIR. L'appareil passe de la fonction GARDER CHAUD à la fonction CHAUFFER jusqu'à ce que l'eau bouille. Une fois l'eau bouillante, l'appareil repasse en mode GARDER CHAUD.
9. Une fois que la température sélectionnée est atteinte, vous pouvez faire couler l'eau. Pour verser l'eau, appuyer sur la touche DÉVERROUILLER puis sur la touche VERSER. L'appareil se verrouille 10 secondes après avoir relâché la touche VERSER. Le témoin lumineux DÉVERROUILLER s'éteindra.
NOTE : NE PAS verser l'eau lorsqu'elle est bouillante ou dans les 5 minutes qui suivent. Éviter de bouger l'appareil pendant que l'eau est versée.
NOTE : Should you accidentally allow the appliance to operate without water, the boil-dry protection will automatically switch it off. If this should occur, allow the appliance to cool before filling it with cold water and re-boiling.
10. Débrancher l'appareil de la prise électrique. Laisser l'appareil refroidir complètement avant de le nettoyer (voir les instructions de la section **NETTOYAGE ET ENTRETIEN**).

NETTOYAGE ET ENTRETIEN

Toujours débrancher l'appareil et le laisser refroidir complètement avant de le nettoyer.

NE JAMAIS immerger l'appareil ou le cordon dans l'eau et ne pas laisser l'humidité entrer en contact avec ces pièces.

- Essuyer l'extérieur du boîtier et le couvercle avec un chiffon humide.
- NE PAS rincer le boîtier principal avec de l'eau, sinon l'eau risquerait d'endommager les composantes électriques à l'intérieur du boîtier et la prise électrique située au bas du boîtier.
- Essuyer le réservoir d'eau interne en acier inoxydable avec une éponge non abrasive imbibée d'eau et le sécher soigneusement avant de le ranger.
- NE PAS utiliser de détergent pour le nettoyage, car il pourrait laisser une mauvaise odeur.
- NE PAS utiliser d'essence ou de térébenthine pour le nettoyage, afin d'éviter d'endommager la surface.

COUVERCLE

Détacher complètement le couvercle pour vider l'eau résiduelle dans le réservoir intérieur en suivant les instructions ci-dessous :

1. Ouvrir le couvercle à l'aide du levier, puis tirer le couvercle vers le haut tout en appuyant sur le loquet du couvercle situé derrière le distributeur d'eau.
2. Pour remettre le couvercle sur le distributeur, fixer l'axe de rotation du couvercle dans la fente de fixation du couvercle.

NOTE : Vérifier qu'il ne reste pas d'eau dans le réservoir intérieur si l'appareil n'est pas utilisé.

JOINT D'ÉTANCHÉITÉ DU COUVERCLE

Le joint d'étanchéité situé à l'intérieur du couvercle doit être nettoyé fréquemment ou remplacé s'il est endommagé ou s'il ne s'assemble pas correctement afin d'empêcher la vapeur de s'échapper par l'ouverture du couvercle. Le joint d'étanchéité peut être retiré directement et nettoyé.

NOTE : Avant chaque utilisation, vérifier que le joint d'étanchéité est correctement installé. S'assurer que le couvercle est bien fermé avant de mettre en marche l'appareil.

ÉLIMINATION DES DÉPÔTS MINÉRAUX

Les dépôts minéraux présents dans l'eau du robinet peuvent entraîner une décoloration des surfaces du réservoir d'eau. Pour éliminer ces dépôts, utiliser un produit anticalcaire non toxique et suivre les instructions du fabricant.

AU BESOIN

1. Remplir l'appareil avec 6 tasses de vinaigre blanc et le reste avec de l'eau et laisser reposer toute la nuit. NE PAS faire bouillir.
2. Vider la solution de l'appareil. Les éventuelles taches restantes à l'intérieur du bec verseur peuvent être éliminées à l'aide d'un chiffon humide. Remplir l'appareil d'eau propre, porter à ébullition et jeter l'eau.
3. Répéter l'étape 2, l'appareil est alors prêt à l'emploi.

NETTOYAGE DE L'EXTÉRIEUR DU BOITIER

Essuyer la partie extérieure du boîtier avec un chiffon humide ou un produit de nettoyage.

ATTENTION: NE PAS utiliser de produits chimiques, d'acier, de bois ou de produits abrasifs pour nettoyer l'extérieur de l'appareil.

RANGEMENT

Lorsqu'il n'est pas utilisé ou rangé, le cordon d'alimentation peut être enroulé et placé à l'intérieur de l'appareil.

Ranger l'appareil dans un endroit frais et sec.

GARANTIE

GARANTIE LIMITÉE D'UN (1) AN.

La garantie couvre tous les défauts de matériaux et de fabrication pour une période d'un (1) an suivant l'achat. Conserver le reçu original comme preuve d'achat. Pour être acceptées, les réclamations doivent être présentées durant la période de la garantie. L'appareil sera réparé, remplacé (en tout ou en partie) ou remboursé à notre entière discrétion. Des frais d'expédition pourraient être exigés.

Cette garantie ne couvre pas les conséquences de l'usure normale des pièces ou les dommages dus à l'une ou l'autre des causes suivantes :

La négligence ou l'utilisation abusive de l'appareil, y compris à la suite d'un accident ou par l'omission de nettoyer l'appareil de façon régulière, par son utilisation à des fins commerciales ou lors d'un branchement de l'appareil sur un circuit de tension ou de voltage inapproprié, de même qu'en raison du non-respect du mode d'emploi ou à la suite du démontage, de la réparation ou de l'altération de l'appareil par quiconque autre qu'un représentant autorisé par STARFRIT.

Les taches, la décoloration et les rayures mineures à l'intérieur et à l'extérieur de l'ustensile constituent une utilisation normale, n'affectent pas les performances et ne sont pas couvertes par cette garantie.

La décision quant à la cause des dommages causés à l'appareil demeure la responsabilité de STARFRIT. Toutes les décisions sont finales.

INSTRUCCIONES DE USO Y SEGURIDAD

No artículo	Voltaje (V)	Potencia (W)	Capacidad (g)
024014	120	750	60

SALVAGUARDIAS IMPORTANTES LEER LAS INSTRUCCIONES ANTES DE SU USO

ADVERTENCIA: Para reducir el riesgo de incendio, descarga eléctrica, lesiones personales graves y/o daños materiales:

- A. NO tocar las superficies calientes. Utilizar SIEMPRE el asa de la tapa para levantarla cuando esté en uso. Utilizar guantes de horno para evitar quemaduras o lesiones personales graves.
- B. Para protegerse de descargas eléctricas, no sumergir el cable de alimentación, el conector magnético o la base en agua ni en ningún otro líquido.
- C. Mantener el aparato fuera del alcance de niños o mascotas. Este aparato no está diseñado para ser utilizado por niños. Es necesaria una estrecha supervisión por parte de un adulto cuando se usa cualquier aparato cerca de niños.
- D. Desenchufar el aparato de la toma de corriente cuando no se utilice o antes de limpiarlo. Dejar enfriar el aparato antes de montarlo, desmontarlo, trasladarlo o limpiarlo.
- E. NO operar el aparato si tiene el cable o enchufe dañado, o si el aparato no funciona bien o ha resultado dañado de algún modo. NO intentar examinar ni reparar este aparato por su cuenta. Para obtener ayuda, favor de contactar con el Servicio a la clientela, en la siguiente dirección de correo electrónico: starfrit.com/en/contact-us.
- F. NO abrir la tapa del aparato mientras el agua esté hirviendo, ya que puede provocar quemaduras o lesiones personales graves.
- G. NO llenar nunca el aparato más allá de la línea indicadora, ya que podría salpicar agua hirviendo y provocar quemaduras o escaldaduras. Asegurarse de que la tapa está bien cerrada.
- H. NO dejar el aparato sin supervisión mientras se esté utilizando. Desenchufar el aparato de la toma eléctrica mientras no se esté utilizando.
- I. NO tocar, tapar ni obstruir los orificios de vapor, ya que está muy caliente y puede provocar quemaduras.
- J. Para desconectar el aparato, colocarlo en la posición OFF pulsando el botón POWER y desenchufarlo de la toma de corriente. Tirar directamente del enchufe, NO tirar del cable de alimentación.
- K. NUNCA conectar o desconectar el aparato de la red eléctrica con las manos mojadas.



- L. Tomar las precauciones adecuadas para evitar quemaduras, incendios o daños personales o materiales, ya que este aparato genera calor y vapor durante su uso.
- M. Utilizar el aparato en una zona bien ventilada. NO utilizar el aparato directamente debajo de los armarios de la cocina.
- N. Este aparato está diseñado para uso en interiores, no comercial. NO utilizarlo al aire libre ni para ningún otro fin.
- O. NO usar accesorios que no estén recomendados ni vendidos por el fabricante del aparato. El uso de accesorios no recomendados por el fabricante puede causar lesiones.
- P. NO dejar que el cable cuelgue del borde de una mesa o encimera ni que toque superficies calientes, ya que podría tropezar y caerse o provocar que el contenido caliente del aparato se derrame y pueda causar quemaduras o lesiones.
- Q. NO colocar el aparato sobre o cerca de un quemador de gas o eléctrico caliente, ni en un horno caliente o microondas.
- R. Colocar SIEMPRE el aparato sobre una superficie plana y estable - NO mover la licuadora mientras esté en funcionamiento.
- S. Conectar el enchufe a una toma de corriente de fácil acceso para poder desconectar el aparato rápidamente en caso de emergencia.
- T. Extremar las precauciones al desplazar un aparato que contenga líquidos calientes.

GUARDAR ESTAS INSTRUCCIONES PARA FUTURAS CONSULTAS

ENCHUFE CON TOMA A TIERRA: Como medida de seguridad, este aparato está equipado con un enchufe con toma a tierra, que sólo encajará en una toma de corriente de tres clavijas. NO intentar anular este dispositivo de seguridad. La conexión incorrecta del conductor de puesta a tierra puede provocar riesgo de descarga eléctrica. Consultar a un electricista cualificado si tiene dudas sobre si la toma de corriente está correctamente conectada a tierra.

INSTRUCCIONES ESPECIALES: Se utiliza un cable de alimentación corto para reducir el riesgo de que los niños lo agarran, se enreden o tropiecen con un cable más largo.

NO alterar el enchufe. NO intentar anular el propósito de seguridad del enchufe con toma de tierra.

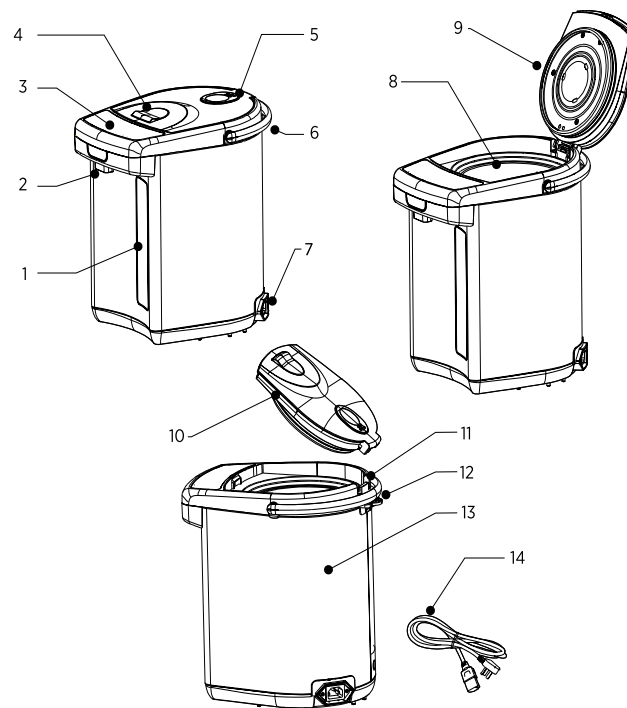
SE PUEDE UTILIZAR UN CABLE ALARGADOR SI SE TIENE CUIDADO CON SU USO:

- Minimizar el riesgo de sobrecalentamiento utilizando el cable UL o ETL más corto posible.
- La clasificación eléctrica marcada debe ser al menos tan alta como la del producto.
- NO utilizar NUNCA un solo cable alargador para hacer funcionar más de un aparato.
- Colocar el cable más largo de forma que no quede tendido sobre una encimera o mesa donde se pueda tropezar, engancharse o ser tirado involuntariamente (especialmente por niños).

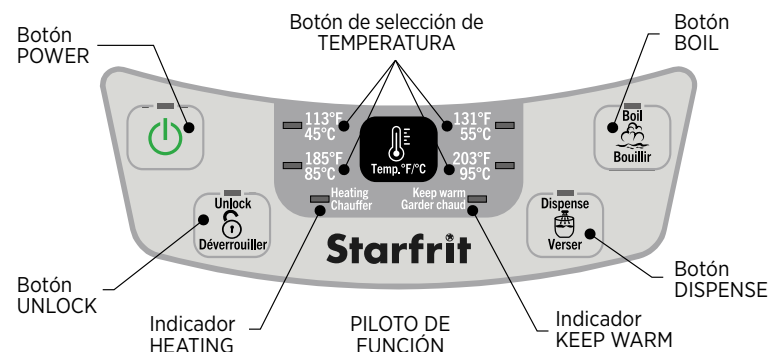
DESCRIPCIÓN

PARTES Y COMPONENTES

1. Nivel de agua
2. Salida de agua
3. Panel de control
4. Manija de la tapa
5. Salida de vapor
6. Manija de la unidad
7. Salida del enchufe
8. Tanque de acero inoxidable
9. Junta de la tapa
10. Tapa desmontable
11. Mecanismo de bloqueo de la tapa
12. Seguro de la tapa
13. Cuerpo principal
14. Cable eléctrico



PANEL DE CONTROL DIGITAL



FUNCIÓN DESCRIPCIÓN

FUNCIÓN	DESCRIPCIÓN
interruptor de encendido (POWER)	Una vez accionado el botón POWER, se encenderán los indicadores 203 °F (95 °C), HERVIR y CALENTAR. Esto indica que el aparato está calentando el agua para que hierva primero y mantendrá el agua a 203 °F (95 °C) una vez que la temperatura descienda a la temperatura establecida. Pulsar de nuevo el botón POWER y el aparato pasará al modo STANDBY, y el indicador luminoso del botón POWER parpadeará.
Botón de desbloqueo (UNLOCK)	Pulse el botón UNLOCK para desbloquear el dispensador de agua. El indicador de DESBLOQUEO se iluminará en rojo. Si no se pulsa el botón DISPENSE en 10 segundos, el dispensador de agua se bloqueará de nuevo.
Botón de dispensar (DISPENSE)	Mantener pulsado el botón DISPENSE después de pulsar el botón UNLOCK para dispensar agua caliente. El indicador DISPENSE se encenderá al pulsar el botón y se apagará al soltarlo. 10 segundos después de soltar el botón DISPENSE, el indicador luminoso UNLOCK se apagará, indicando que el dispensador de agua está ahora bloqueado. El botón DISPENSE no funcionará mientras no se haya pulsado el botón UNLOCK antes de dispensar el agua.
Indicador de calentamiento (HEATING)	La luz indicadora de CALENTAMIENTO se iluminará hasta que se alcance la temperatura seleccionada.
Botón de selección de TEMPERATURA	Las temperaturas preestablecidas incluyen 113 °F, 131 °F, 185 °F y 203 °F (45 °C, 55 °C, 85 °C y 95 °C), y el ajuste de temperatura predeterminado es 203 °F (95 °C) una vez que se pulsa el botón POWER. Después de seleccionar la temperatura, el indicador parpadeará hasta que alcance su temperatura.
indicador de mantener temperatura (KEEP WARM)	El indicador KEEP WARM se encenderá cuando se alcance la temperatura preestablecida.
Botón de hervir (BOIL)	El ajuste HERVIR estará activado por defecto. Durante el proceso de calentamiento, pulsar el botón HERVIR una vez para cancelar este ajuste, el aparato llevará el agua hasta la temperatura preestablecida y luego cambiará a MANTENER CALIENTE. Ejemplo: Si la temperatura actual del agua es inferior a 113 °F (45 °C), el agua se calentará a 113 °F (45 °C). Si la temperatura actual del agua es superior a 113 °F (45 °C), el agua se enfriará automáticamente a 113 °F (45 °C). En la condición MANTENER CALIENTE, presiona el botón HERVIR una vez, el aparato entrará en el modo CALENTAR y seguirá calentando hasta que el agua hierva, eliminando los contaminantes y el cloro del agua. NOTA: Desactivar la función HERVIR sólo si utiliza agua que pueda consumirse con seguridad sin necesidad de hervirla primero. Si se utiliza agua del grifo, se recomienda hervirla primero, de lo contrario beberá agua que está caliente y no hervida.
Piloto de función	Pulsar el botón TEMPERATURA para seleccionar la temperatura del agua deseada. El botón TEMPERATURA es secuencial y va desde la temperatura más baja 113 °F (45 °C) hasta 203 °F (95 °C).

NOTA: La temperatura seleccionada será la temperatura a la que se mantendrá caliente.

ADVERTENCIA: Cuando la función HERVIR está activada, el agua no bajará inmediatamente a 113 °F (45 °C) después de hervir, incluso si la temperatura preestablecida es 113 °F (45 °C).

ANTES DEL PRIMER USO LEA LAS INSTRUCCIONES ANTES DE USAR

Si es la primera vez que se utiliza el dispensador de agua, se recomienda limpiarlo previamente hirviendo dos veces la capacidad máxima de agua y desechando después el agua.

1. Retirar y desechar todo el embalaje, pegatina o etiqueta/material promocional antes del primer uso.
2. Abrir la tapa levantando la manija de la tapa.
3. Limpiar el depósito de agua con agua tibia utilizando una esponja no abrasiva y secarlo bien.

ADVERTENCIA: Antes de cada uso, comprobar que la junta de silicona situada en el interior de la tapa está correctamente colocada en la ranura de la tapa. Para garantizar una colocación correcta, aplicar la misma presión en toda la superficie de la junta de silicona hasta que quede bien colocada en la ranura.

ADVERTENCIA: NO sumergir el cuerpo, el cable eléctrico ni el enchufe en agua ni en ningún otro líquido.

4. Limpiar la tapa exterior y el cuerpo con un paño húmedo y secarlos bien.
5. Cerrar el aparato.

NOTA: Cuando el aparato se utiliza por primera vez, puede salir humo o ligeros vapores del aparato debido al proceso inicial de calentamiento de los materiales. Esto es normal y desaparecerá rápidamente.

PROTECCIÓN CONTRA LA EBULLICIÓN EN SECO

Si accidentalmente se deja que el aparato funcione sin agua, la protección contra el hervido en seco lo desconectará automáticamente. Si esto ocurre, dejar que el aparato se enfríe antes de llenarlo con agua fría y volver a hervirlo.

USO

LEER LAS INSTRUCCIONES ANTES DE USAR

NOTA: NO utilizar el aparato directamente debajo de los armarios de la cocina. Dejar espacio suficiente por encima y alrededor del aparato para que circule el aire.

NOTA: Antes de cada uso, asegurarse de que el anillo de sellado está correctamente instalado. Asegurarse de que la tapa esté bien cerrada antes de utilizar el aparato.

ADVERTENCIA: NO tocar, cubrir ni obstruir la salida de vapor, ya que está muy caliente y puede provocar quemaduras. El vapor caliente saldrá por el orificio de ventilación cuando el agua esté hirviendo.

1. Colocar el aparato sobre una superficie plana, estable y resistente al calor.
2. Presionar hacia abajo la palanca de la tapa y tirar hacia arriba de la tapa superior para abrirla.



3. Añadir agua en el depósito de agua interior de acero inoxidable sin superar la capacidad máxima.
NOTA: Asegurarse de que la cantidad mínima de agua sea de al menos $\frac{1}{2}$ de su capacidad. NO llenar el aparato por encima de la línea de máximo, ya que el agua podría derramarse por la salida de agua al hervir.
4. Cerrar bien la tapa hasta que la base y la tapa estén correctamente alineadas. También se oír un “clic” cuando la tapa se cierre bien.
NOTA: Asegurarse de que la junta de estanqueidad del interior de la tapa está correctamente instalada antes de utilizar la máquina. NO utilizar el aparato si la junta de estanqueidad está dañada. Asegurarse de que la tapa está bien cerrada antes de enchufar la toma de corriente.
5. Insertar el cable de alimentación en la toma de corriente del cuerpo principal y, a continuación, enchufar el cable de alimentación a una toma de corriente de pared de 120 V CA. El aparato emitirá un pitido y la luz de encendido parpadeará.
6. Pulsar el botón POWER una vez, el aparato se pondrá por defecto a 203 °F (95 °C) con la función HERVIR activada. El aparato calentará primero el agua hasta que hierva y luego la mantendrá a 203 °F (95 °C) una vez que el agua se enfríe. El indicador KEEP WARM se iluminará cuando el aparato esté en la condición KEEP WARM cuando se haya alcanzado la temperatura preestablecida.
ADVERTENCIA: Cuando la función HERVIR está activada, el agua no bajará inmediatamente a 113 °F (45 °C) después de hervir, incluso si la temperatura preestablecida es de 113 °F (45 °C).
7. Pulsar el botón TEMPERATURA para seleccionar la temperatura deseada entre 113 °F, 131 °F, 185 °F y 203 °F (45 °C, 55 °C, 85 °C y 95 °C). El aparato hervirá el agua y pasará a la función MANTENER CALIENTE a la temperatura seleccionada, su indicador correspondiente dejará de parpadear cuando se haya alcanzado la temperatura seleccionada y permanecerá a la temperatura deseada hasta que se apague.
ADVERTENCIA: Extremar las precauciones al abrir la tapa, ya que saldrá vapor caliente que puede provocar quemaduras. Utilice guantes o manoplas de protección para evitar quemaduras o lesiones personales graves.

8. Durante el proceso de calentamiento, si no se desea hervir el agua, pulsar el botón HERVIR una vez para desactivar la función de ebullición. El agua se calentará hasta alcanzar la temperatura seleccionada y se activará la función MANTENER CALIENTE. Si se decide hervir el agua, simplemente reactivar la función HERVIR. El aparato pasará de MANTENER CALIENTE a CALENTAR hasta que el agua hierva. Después de que el agua hierva, el aparato volverá a la función MANTENER CALIENTE.
9. Una vez alcanzada la temperatura seleccionada, se puede dispensar agua. Para dispensar agua, se debe pulsar el botón UNLOCK seguido del botón DISPENSE. El aparato se bloqueará 10 segundos después de soltar el botón DISPENSE. El indicador luminoso de DESBLOQUEO se APAGARÁ.
NOTA: NO dispensar agua cuando el agua esté hirviendo o dentro de los 5 minutos siguientes a la ebullición del agua. Evitar mover el aparato mientras esté dispensando agua.
NOTA: Si accidentalmente se deja que el aparato funcione sin agua, la protección contra el hervido en seco lo desconectará automáticamente. Si esto ocurriera, dejar que el aparato se enfríe antes de llenarlo con agua fría y volver a hervirlo.
10. Después de utilizar el aparato, pulsar el botón POWER para apagarlo.
11. Desenchufar el aparato de la toma de corriente. Dejar que se enfríe completamente antes de limpiarlo. (consultar las Instrucciones de LIMPIEZA Y MANTENIMIENTO).

LIMPIEZA Y MANTENIMIENTO

Desconectar SIEMPRE el aparato de la toma de corriente y dejar que se enfríe completamente antes de limpiarlo.

NO sumergir NUNCA el aparato o el cable en agua ni permitir que la humedad entre en contacto con estas piezas.

- Limpiar la carcasa externa y la tapa con un paño húmedo o un limpiador.
- NO enjuagar el cuerpo principal con agua; de lo contrario, el agua podría dañar los componentes eléctricos del interior del cuerpo y la toma de corriente de la parte inferior del cuerpo.
- Limpiar el depósito de agua interior de acero inoxidable con una esponja no abrasiva empapada en agua y secarlo bien antes de guardarlo.
- NO utilizar detergente para la limpieza; de lo contrario, dejará mal olor.
- NO utilizar gasolina ni aguarrás para la limpieza para evitar dañar la superficie.

TAPA

Retirar completamente la tapa para vaciar el agua residual de la cavidad interior siguiendo la operación explicada a continuación:

1. Abrir la tapa con la palanca y, a continuación, tirar de la tapa hacia arriba mientras se presiona el pestillo de la tapa situado detrás del dispensador de agua.
2. Para volver a colocar la tapa en el dispensador, fijar el eje de rotación de la tapa en la ranura de fijación de la tapa superior.
NOTA: Asegurarse de que no queda agua en la cavidad interior si no se utiliza el aparato.

JUNTA DE SELLADO

El anillo de sellado situado en el interior de la tapa debe limpiarse con frecuencia o sustituirse si está roto o no ensambla correctamente para evitar que el vapor se escape por la holgura de la tapa. El anillo de sellado puede retirarse directamente y limpiarse.

NOTA: Antes de usar el aparato, compruebe que la junta esté bien colocada. Asegúrese de que la tapa esté bien cerrada antes de encender el aparato.

ELIMINACIÓN DE DEPÓSITOS MINERALES

Los depósitos minerales en el agua del grifo pueden causar decoloración en las superficies del depósito de agua. Para eliminar esta acumulación, utilizar un producto antical no tóxico y seguir las instrucciones del fabricante.

ALTERNATIVAMENTE

1. Llenar el aparato con 6 tazas de vinagre blanco y el resto con agua y dejarlo reposar toda la noche. NO hervir.
2. Vaciar la solución del aparato. Las manchas que queden en el interior de la boquilla se pueden eliminar limpiando con un paño húmedo. Llenar el aparato con agua limpia, llevarlo a ebullición y desechar el agua.
3. Repetir el paso 2 y el aparato estará listo para su uso.

LIMPIEZA DE LA CARCASA EXTERIOR

Limpiar la carcasa exterior con un paño húmedo o un limpiador.

PRECAUCIÓN: NO utilizar productos químicos, acero, madera o limpiadores abrasivos para limpiar el exterior del aparato

ALMACENAMIENTO

Cuando no esté en uso o almacenado, el cable de alimentación puede envolverse y colocarse dentro del aparato.

Guardar el aparato en un lugar fresco y seco.

GARANTÍA

LIMITADA DE UN AÑO.

Esta garantía cubre los defectos de fabricación en materiales y mano de obra por un período de un (1) año desde la fecha de compra. Favor de conservar su recibo como comprobante de compra. Cualquier reclamación debe presentarse dentro del período de garantía. El aparato será reparado, sustituido (en su totalidad o en parte) o reembolsado a nuestra discreción. Puede que apliquen cargos de envío.

Esta garantía no cubre las consecuencias del desgaste normal de las piezas ni los daños debidos a cualquiera de las siguientes causas:

La negligencia o el mal uso de la unidad, incluyendo como resultado de un accidente o la falta de limpieza regular de la unidad, el uso para fines comerciales, o la conexión de la unidad a un voltaje o circuito inadecuado, así como el incumplimiento de las instrucciones de funcionamiento o el desmontaje, reparación o alteración de la unidad por cualquier persona que no sea un representante autorizado de STARFRIT.

Las marcas, la decoloración y los pequeños arañazos en el interior y el exterior de la batería de cocina son normales, no afectan al rendimiento y no están cubiertos por esta garantía.

STARFRIT se reserva el derecho de tomar la decisión final en cuanto a la causa de los daños.



www. Starfrit.com

**SUBSCRIBE TO THE NEWSLETTER
TO LEARN MORE ABOUT OUR PROMOTIONS**

**INSCRIVEZ-VOUS À L'INFOLETTRE
POUR CONNAÎTRE NOS PROMOTIONS**



www.facebook.com/starfrit

**FOR HOUSEHOLD USE ONLY
POUR UN USAGE DOMESTIQUE SEULEMENT**