

## Plastic Media Enclosures

DataComm Electronics' Plastic Media Enclosures are designed to provide a main distribution point for voice, data, audio and video applications. Multiple sizes available for single-family homes, multi-dwelling units (MDU), and light commercial applications.

### Features

- Made of ABS plastic for maximum Wi-Fi transmission and performance.
- Universal mounting hole pattern allows for more mounting options and accepts most standard modules and components.
- Unique nesting design allows for more material in less space, less material handling, and less on site waste.
- Available in 5 packs for additional savings.
- Enclosures conform to UL Standards 2416, CAN/CSA STD C22.2 No. 60950-7-07 and are ETL Listed.

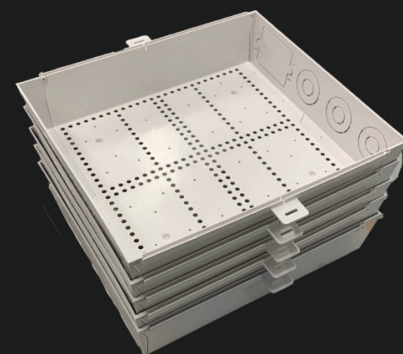
### Part Number

### Description

80-1500-5-STACK	(5) pack - 15 inch Enclosures
80-1500-SC-5	(5) pack - 15 inch Screw Covers
80-1500-SC	15 inch Enclosure and 15 inch Screw Cover
80-1521-5-STACK	(5) pack - 21 inch Enclosures
80-1521-HEXT-5	(5) pack - 21 inch Deep Vented Hinge Covers
80-1521-SC-5	(5) pack - 21 inch Screw Covers
80-1521-HEXT	21 inch Enclosure and 21 inch Deep Vented Hinge Cover
80-1521-SC	21 inch Enclosure and 21 inch Screw Cover
80-1530-5-STACK	(5) pack - 30 inch Enclosures
80-1530-HC-5	(5) pack - 30 inch Slim Vented Hinge Covers
80-1530-HEXT-5	(5) pack - 30 inch Deep Vented Hinge Covers
80-1530-HC	30 inch Enclosure and 30 inch Slim Vented Hinge Cover
80-1530-HEXT	30 inch Enclosure and 30 inch Deep Vented Hinge Cover
80-1542-5-STACK	(5) pack - 42 inch Enclosures
80-1542-HEXT-5	(5) pack - 42 inch Deep Vented Hinge Covers
80-1542-HEXT	42 inch Enclosure and 42 inch Deep Vented Hinge Cover



Standard Hole Pattern



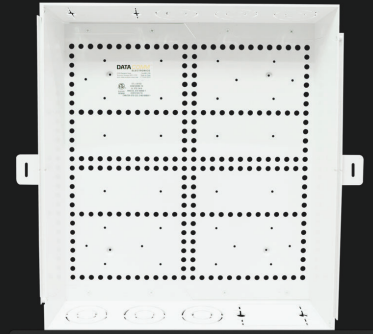
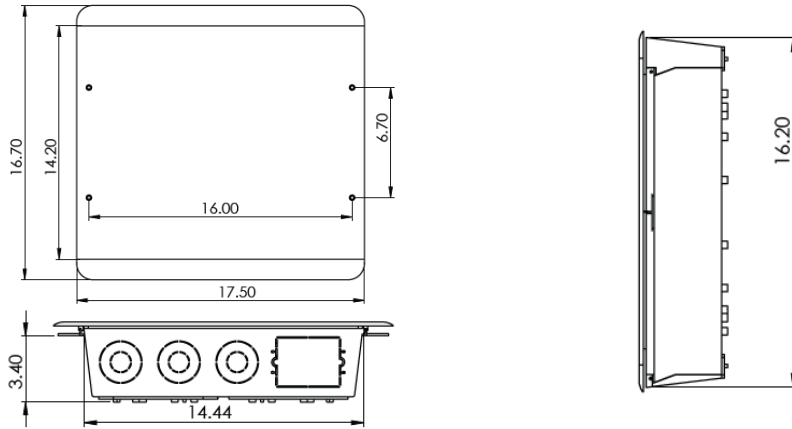
Unique Nesting Design



Intertek  
5015295

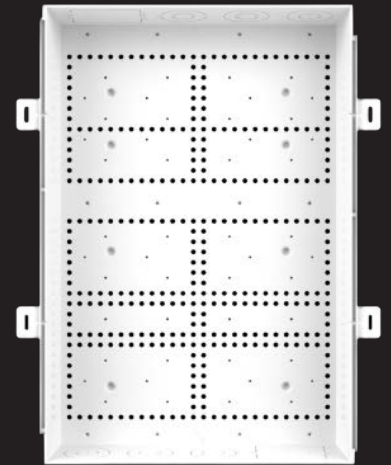
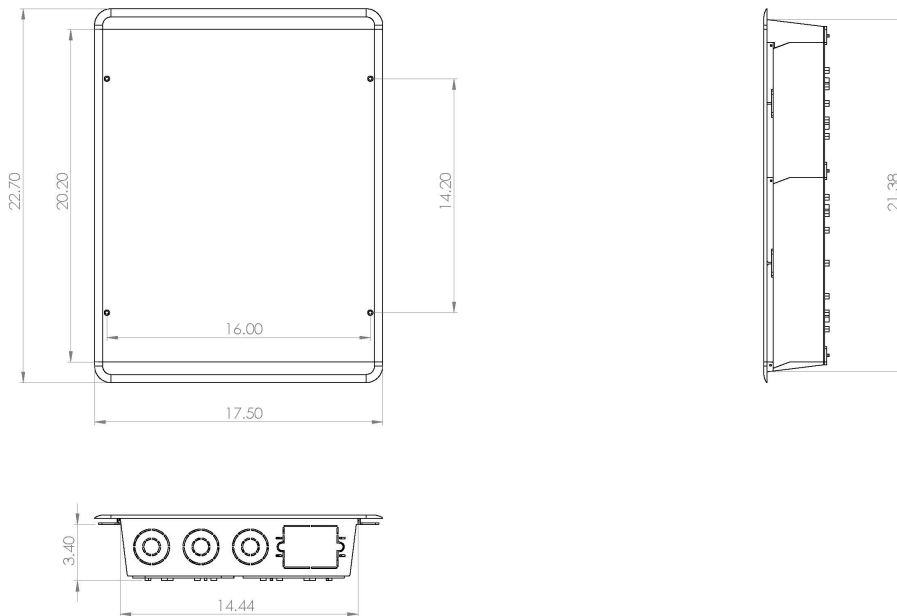
Sales: [info@datacommelectronics.com](mailto:info@datacommelectronics.com) - 770.448.0540  
Support: [orders@datacommelectronics.com](mailto:orders@datacommelectronics.com) - 770.448.0540

## 15" Enclosure with Screw Cover



15" Enclosure

## 21" Enclosure with Screw Cover



21" Enclosure

### Specifications

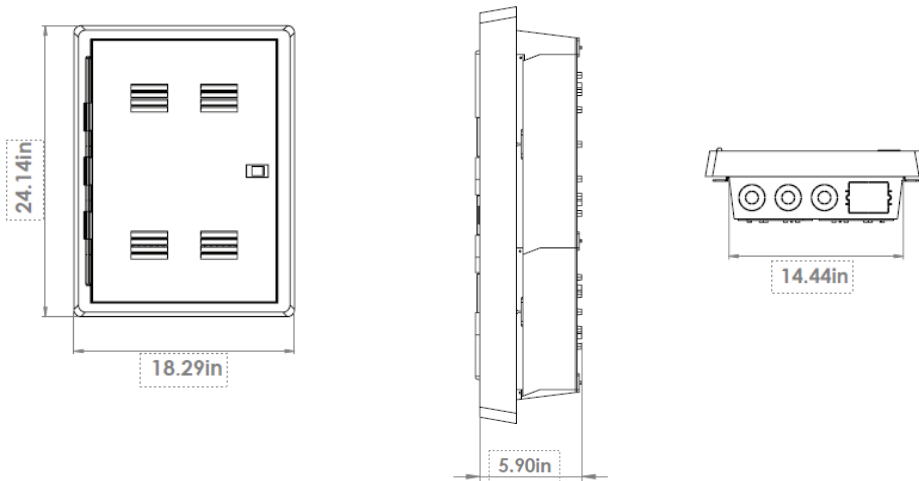
- ETL Listed
- Conforms to UL 2416
- Certified to CAN/CSA STD C22.2 NO 60950-1
- Material:  
UL Rated ABS plastic
- Country of origin:  
Vietnam



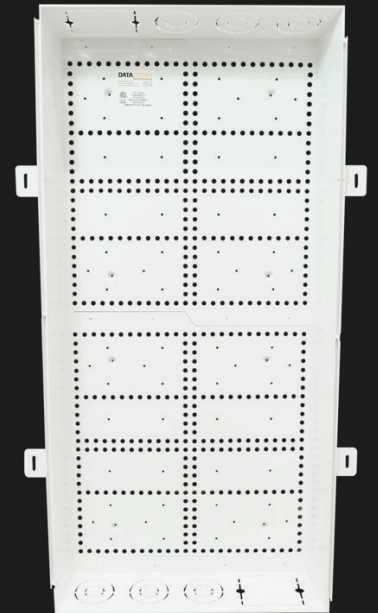
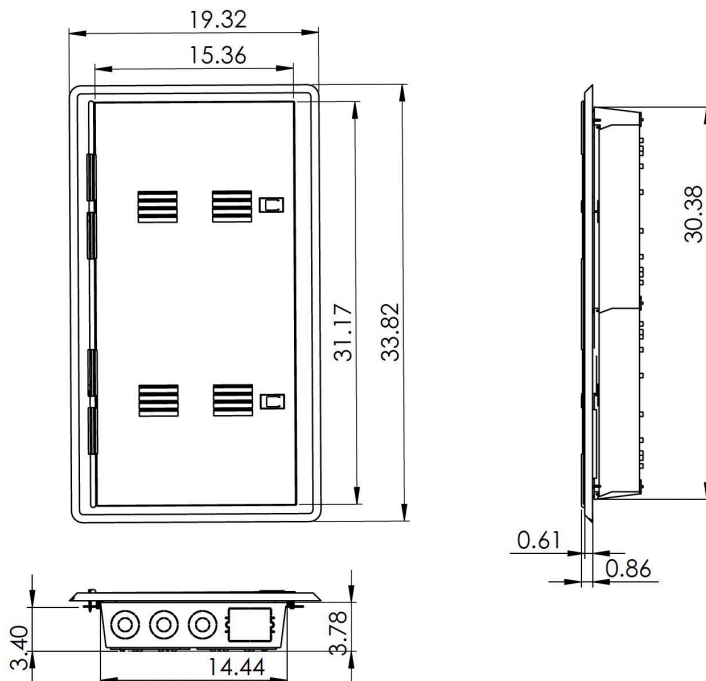
Intertek  
5015295

Sales: [info@datacommelectronics.com](mailto:info@datacommelectronics.com) - 770.448.0540  
Support: [orders@datacommelectronics.com](mailto:orders@datacommelectronics.com) - 770.448.0540

## 21" Enclosure with Deep Hinge Door



## 30" Enclosure with Slim Hinge Door



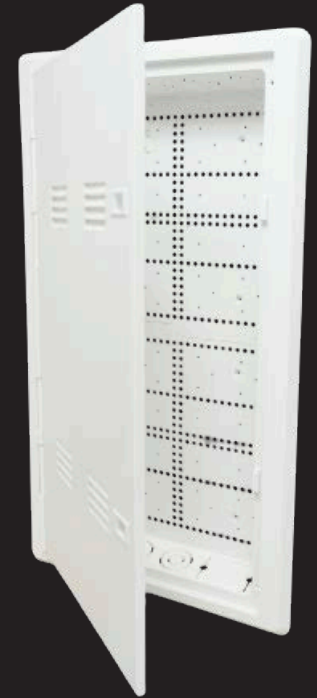
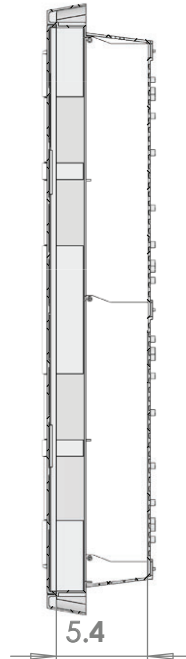
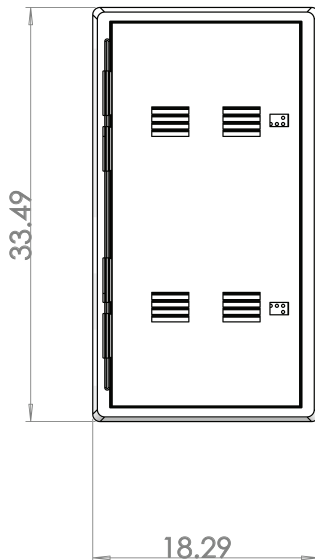
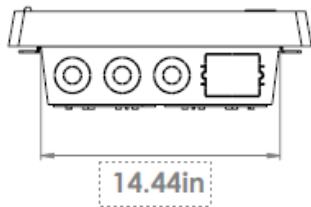
30" Enclosure

### Specifications

- ETL Listed
- Conforms to UL 2416
- Certified to CAN/CSA STD C22.2 NO 60950-1
- Material:  
UL Rated ABS plastic
- Country of origin:  
Vietnam

Sales: [info@datacommelectronics.com](mailto:info@datacommelectronics.com) - 770.448.0540  
Support: [orders@datacommelectronics.com](mailto:orders@datacommelectronics.com) - 770.448.0540

## 30" Enclosure with Deep Hinge Door



80-1530-HC

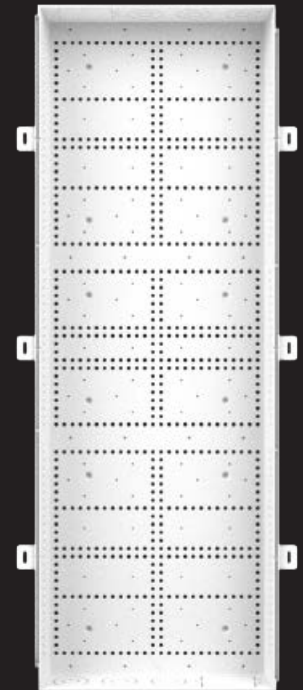
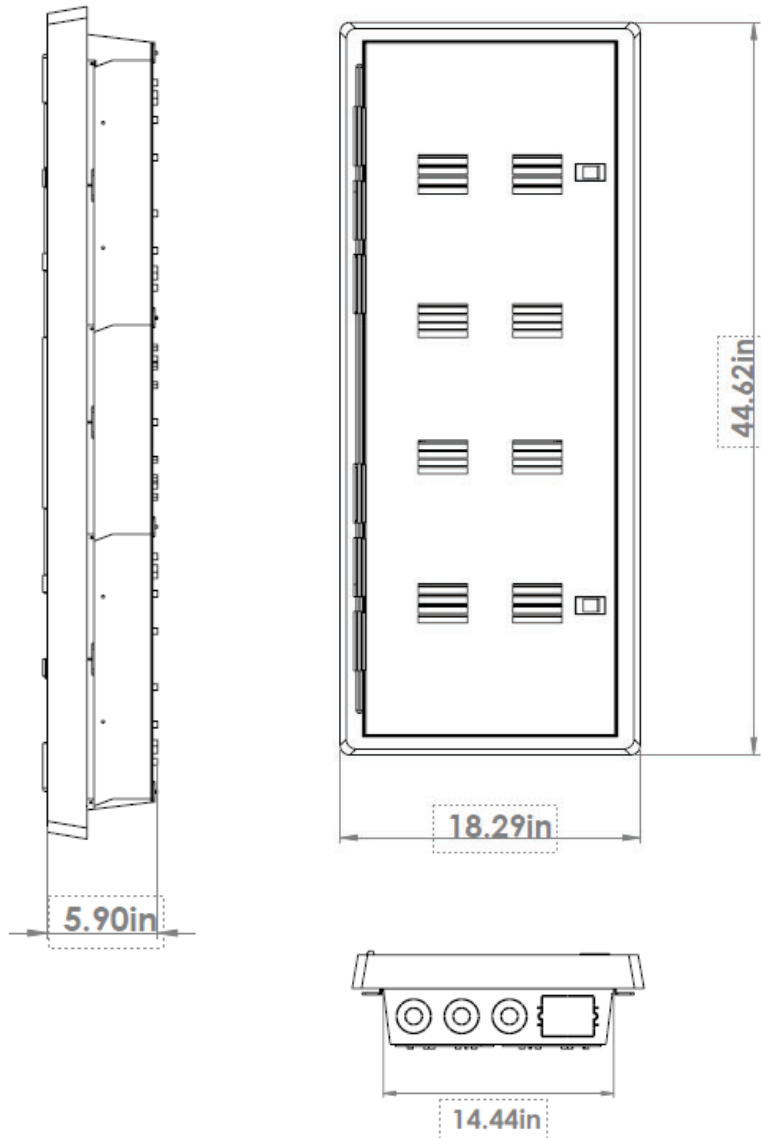
### *Specifications*

- ETL Listed
- Conforms to UL 2416
- Certified to CAN/CSA STD C22.2 NO 60950-1
- Material:  
UL Rated ABS plastic
- Country of origin:  
Vietnam



Sales: [info@datacommelectronics.com](mailto:info@datacommelectronics.com) - 770.448.0540  
Support: [orders@datacommelectronics.com](mailto:orders@datacommelectronics.com) - 770.448.0540

## 42" Enclosure with Deep Hinge Door



42" Enclosure

### Specifications

- ETL Listed
- Conforms to UL 2416
- Certified to CAN/CSA STD C22.2 NO 60950-1
- Material:  
UL Rated ABS plastic
- Country of origin:  
Vietnam



Sales: [info@datacommelectronics.com](mailto:info@datacommelectronics.com) - 770.448.0540  
Support: [orders@datacommelectronics.com](mailto:orders@datacommelectronics.com) - 770.448.0540