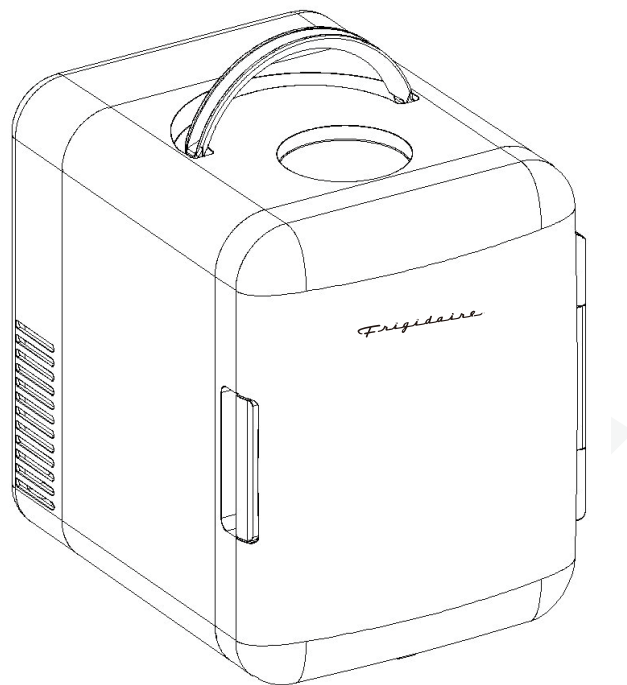


FRIGIDAIRE

Mini Refrigerator

INSTRUCTION MANUAL



Model:EFMIS139-BLACK-COM/ EFMIS139-RED-COM/EFMIS139-AQUA-COM/
EFMIS129-BLACK-AMZ/EFMIS129-BLUE-AMZ/EFMIS129-BLUE-AMZ/
EFMIS129-BLACK-AMZ/EFMIS129-BLUE-AMZ/EFMIS139-MINT/EFMIS139-
WHITE/EFMIS139-RED

Please Read These Instructions Carefully Before Use!

FRIGIDAIRE is a pending or registered trademark used under license from Electrolux Home Products, Inc

IMPORTANT SAFEGARDS

1. This appliance is not intended for use by persons (including children) with reduced physical, sensory or mental capabilities, or lack of experience and knowledge, unless they have been given supervision or instruction concerning use of the appliance by a person responsible for their safety.
2. When the power cord is damaged, do not touch the AC power cord with your hands to avoid danger.
3. When using the product, please note that the voltage used is absolutely correct (the applicable voltage of this product is clearly marked on the product nameplate).
4. The vehicle-used function can be only activated when the vehicle is running. Be sure to turn off its power and unplug the vehicle-used power cord after the vehicle stops running.
5. The product should not be used for transporting or loading the acid-corrosive items, and the product should not be wiped with corrosive solvents.
6. Do not block the the ventilation openings in normal use.
7. Use this product in strict accordance with the instructions, please do not disassemble the internal parts without permission.
8. The product should be stored in a place which is tidy and of good draft, and a ventilation channel with a width of 10cm should be kept around it. And do not put the product at the rainy places or the places with heat sources, such as electric stoves, LPG stoves, heat pipes or flames.
9. The Mini Cooler should be cleaned regularly if there is residual water inside it.
10. The Mini Cooler is not a refrigerator, and it is not allowed to be used for freezing fresh meat. It is better to put frozen foods and drinks into it for storage.
11. Please do not open the door frequently and the door cannot be opened for too long in order to keep contents inside it be fresh.
12. Children should be supervised to ensure that they cannot play with appliances.
13. This appliance is intended to be used in household and similar applications such as – staff kitchen areas in shops, offices and other working environments;

- farm houses and by clients in hotels, motels and other residential type environments;
- suitable for camping use;
- the appliance shall not be exposed to rain

14. Do not store explosive substances such as aerosol cans with a flammable propellant in this appliance.

15. DANGER: Risk of child entrapment. Before you throw away your old refrigerator or freezer:

* Take off the doors.

* Leave the shelves in place so that children may not easily climb inside.

16. If the supply cord is damaged, it must be replaced by the manufacturer, its service agent or similarly qualified person in order to avoid a hazard.

PRODUCT DESCRIPTION

1. This product can be used for cooling. It is of simple and cute appearance, compact, easy to carry, as well as of long service life and low power consumption. It is a good helper for home and travel use.

2. This product is fully embodied a concept of "Green and Environmentally-friendly". And this product uses semiconductor refrigeration technology, it has no bulky compressor and no refrigerant to avoid noise and fluorine pollution. It is an environmentally-friendly refrigeration product without pollution.

3. This product is particularly suitable for drivers, tourists, migrant workers, singles, mother, office workers and students due to its multi-function, light weight, small size and easy-to-carry.

4. This product has simple structure and long service life, and it is convenient to maintain, and is of low power consumption and strong shock-resistant capability.

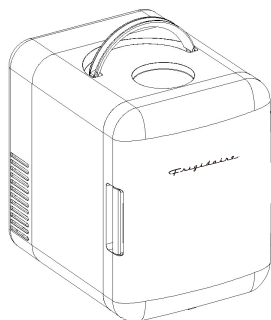
5. This product has a long service life, and the life of the cooling module can reach 50000 hours.

PRODUCT SPECIFICATIONS

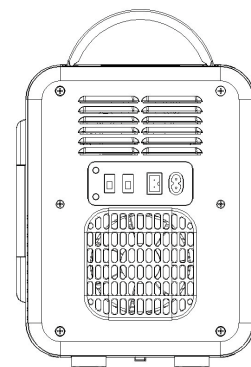
Product name: Mini Refrigerator
Rated voltage: 120V AC/ 12V DC
Rated power: 48W
Working principle: semiconductor refrigeration technology
Cooling temperature: When the current ambient temperature is 77°F, the cooling temperature is 44.67°F~50°F
Model: EFMIS139-BLACK-COM/ EFMIS139-RED-COM/ EFMIS139-AQUA-COM/EFMIS129-BLACK-AMZ/ EFMIS129-BLUE-AMZ/EFMIS129-BLUE-AMZ/EFMIS129- BLACK-AMZ/EFMIS129-BLUE-AMZ/EFMIS139-MINT/ EFMIS139-WHITE/EFMIS139-RED



1. Front

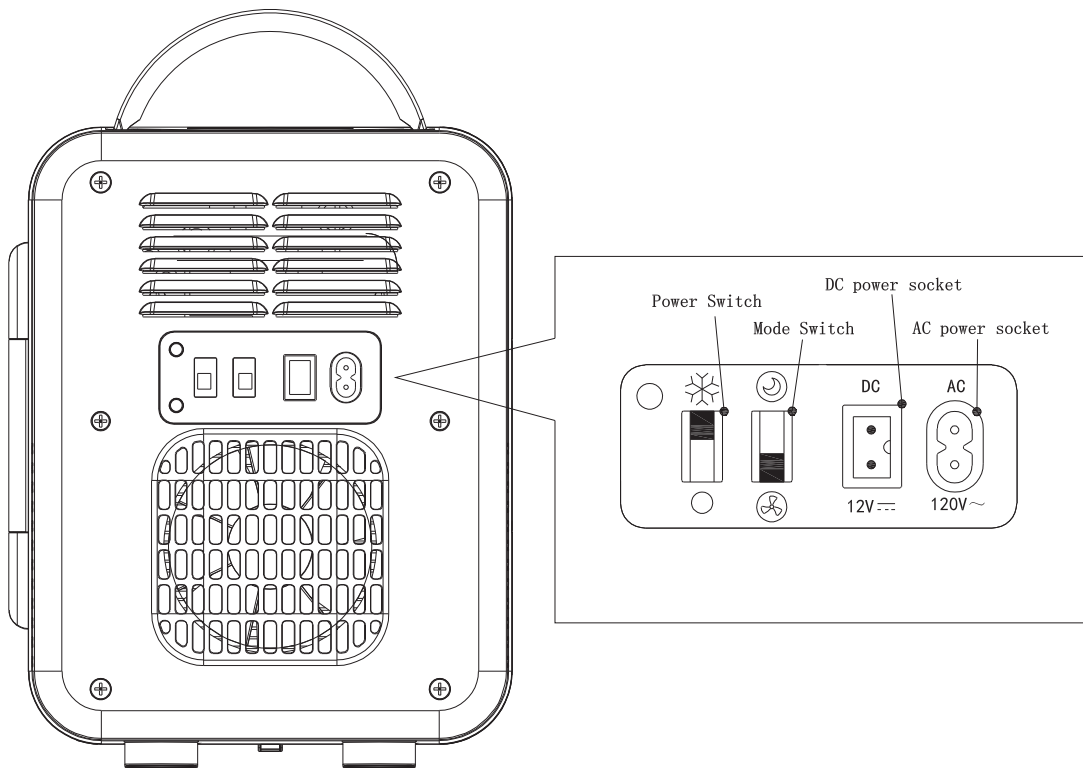


2. Side



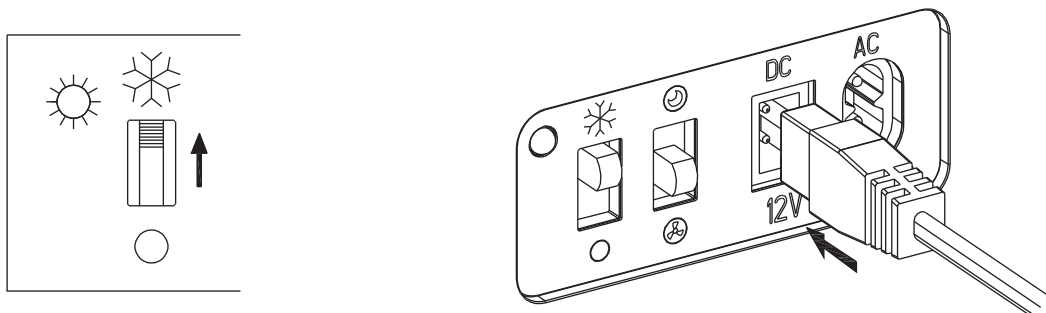
3. Back

ILLUSTRATION FOR POWER SUPPLY



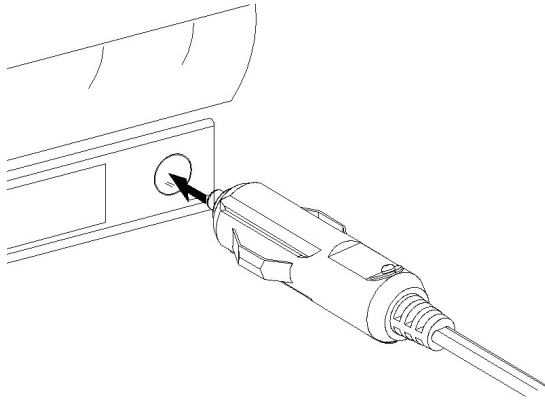
OPERATION INSTRUCTION

1. Vehicle use (DC 12V)



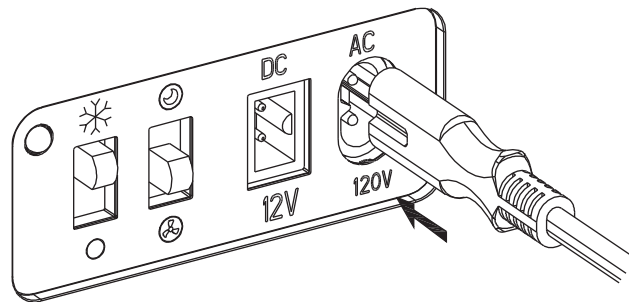
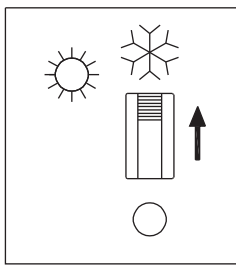
(1) Turn to the “Cool” setting. (2) Align the vehicle-used power cable with the socket of the vehicle (DC12V) , and then insert it well in position.

Note: This product is only support 12V DC input power.

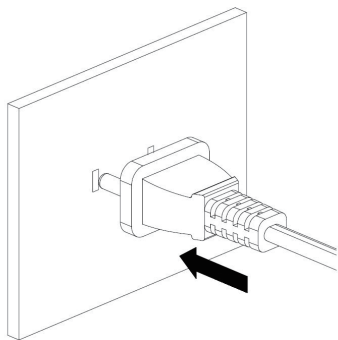


(3) Directly insert the cigarette lighter of the vehicle-used cord into the cigarette lighter socket of the vehicle.

2. Home use (AC 120V~)



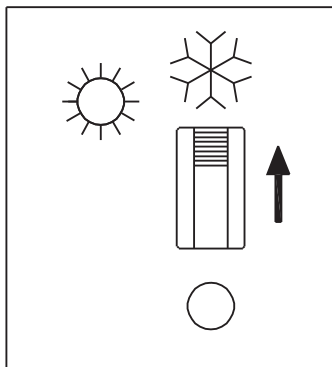
(1) Turn to the “Cool” setting. (2) Insert one end of the household power cord into the AC socket of the Mini Cooler (120V~) .



(3) Insert the other end of the household power cord into the household outlet.

3. Operation for “Cool”

- (1) ❄️ “Cool mode”: turn the “ Switch” to "Cool" setting, the green indicator lights up and the Mini Cooler starts to cool.
- (2) ○ “OFF mode”: turn the “ Switch” to the “OFF” position, and the Mini Cooler stops working.



Cool: Green indicator lights up

4. Operation for “Normal mode” and “Silent mode”

- (1) 🌀 **Normal mode:** The fan runs at higher speed under normal mode, it is recommended to select this mode in the daytime.
- (2) 🌀 **Silent mode:** The fan runs at lower speed under normal mode, it is recommended to select this mode at night.

TIPS FOR OPERATION

- (1) The closer to the cooling position, the better the cooling effect.
- (2) Metal cans can be selected for cooling drinks for better results.
- (3) The fruits such as watermelon can be cut into two halves and be sealed by the plastic wrap, and then make its flat surface be attached to the inner wall of the Mini Cooler .
- (4) For make the meal be fresh, firstly put the meal into a flat stainless steel plate, and then seal the plate with the plastic wrap, finally, make the bottom surface of plate be attached to the inner wall of the Mini Cooler .
- (5) Cosmetics and medicines are spread on the inner wall of the Mini Cooler flatly. The closer to the cooling module, the better the cooling result.

SUGGESTED TEMPERATURE

1. **Fruits:** The suggested temperature for refrigerating fruits is about 32~50°F, which can maintain the quality and flavor of the fruits and extend the freshness period of the fruits.
2. **Beer:** The suggested temperature for storing beers should be between 32~59°F, preferably about 50°F. And bottled beer should be stored between 41~77°F.
3. **Tea:** The tea can be kept better if the temperature is controlled between 41~50°F, and the flavor of the tea can be maintained for more than 1 year.
4. **Cosmetics / skincare products:** Generally, the temperature should be below 77°F, and the temperature for storing cosmetics or skincare products is 50°F~64.4°F. Too high or too low temperature will deteriorate the cosmetics, and the cosmetics (skincare products) which are cooled will have a good cooling effect for the skin which is hot, and it will make the skin shrink and be comfortable.
5. **Medicines:** The temperature for refrigerating the household medicines should be set according to the requirements of the medicines. Generally, the refrigerating temperature is below 68°F.

SCOPE OF APPLICATION

1. **Application places:** Car, home, yacht, office, dormitory and cosmetics store etc.
2. **Be suitable for refrigeration:** Fruits, bottled/canned beverages, tea, medicines, breast milk and cosmetics etc.
3. **Not suitable for refrigeration:** Frozen foods such as ice cream and others, chemical reagents, and meat etc. The cooked food can be stored for 5-8 hours.

TROUBLESHOOTING

1. If the Mini Cooler is not energized, please follow the steps below to operate:
 - (1) Check and make sure the power cord is properly connected to the power outlet.
 - (2) Check and make sure the Mini Cooler is turned on.
 - (3) Check and make sure the AC/DC switch of the Mini Cooler is operated correctly.
 - (4) Check and make sure the cigarette lighter is properly connected and turned on, and please clean the base of the cigarette lighter with a non-metallic brush if it is contaminated.

2. If the cooling effect is not good, please deal with it according to the following measures:

(1) Check and make sure the fan is running normally. If not, please replace the fan. It is recommended to replace the fan every 3-6 months.

(2) Touch the four screws inside the Mini Cooler to check if it is cold. Replace the cooling module if there is no cooling effect.

CLEANING AND MAINTENANCE

1. Before perform cleaning and maintenance, the “Switch” must be firstly turned off and then unplug to disconnect the power source.

2. Wipe the dirt and dust on the surface of the body with a piece of soft cloth dipped with detergent. And you can use a piece of soft cloth dipped with warm water to clean the inside of the appliance.

3. The body must not be rinsed with water, especially the parts of the body such as the ventilation openings of the switch socket, otherwise it will cause damage to the product and a risk of electric shock.

SERVICE

Please call our customer service hotline if you encounter problems during use.

1. Welcome to use the vehicle-used series products. Please read this manual carefully before using it, pay special attention to "**IMPORTANT SAFEGARDS**", and save this manual for future reference.

2. If this product is given to others, please give it together with this instruction manual.

3. The upgrade and specification of this product are subject to change without notice. The form and color of the actual product may be slightly different from those shown on the manual, please understand!

GUARANTEE

The customers can contact the after-sales, explain the reason for the return and reach an “Agreement on Returning Goods”. Customers who purchase the product will enjoy the comprehensive service in accordance with the relevant national regulation "Provisions on the Liability for the Repair, Replacement and Return of Some Commodities".

ENVIRONMENT FRIENDLY DISPOSAL



You can help protect the environment!

Please remember to respect the local regulations:
hand in the non-working electrical equipment to an
appropriate waste disposal center.

To make a warranty claim, do not return this product to the store. Please email support@curtiscs.com or call 1-800-968-9853.

1 Year Warranty

This product is warranted to be free from defects in material and workmanship for a period of one (1) year from the date of original purchase. During this period, your exclusive remedy is repair or replacement of this product or component found to be defective, at our option; however, you are responsible for all costs associated with returning the product to us. If the product or component is no longer available, we will replace with a similar one of equal or greater value. Prior to a replacement being sent, the product must be rendered inoperable or returned to us.

This warranty does **not** cover glass, filters, wear from normal use, use not in conformity with the printed directions., or damage to the product resulting from accident, alteration, abuse, or misuse. This warranty extends only to the original consumer purchaser or gift recipient. Keep the original sales receipt, as proof of purchase is required to make a warranty claim. This warranty is void if the product is used for other than single-family household use or subjected to any voltage and waveform other than as on the specified rating on the label (e.g., 120V~60Hz).

We exclude all claims for special, incidental, and consequential damages caused by breach of express or implied warranty. All liability is limited to the amount of the purchase price. **Every implied warranty, including any statutory warranty or condition of merchantability or fitness for a particular purpose, is disclaimed except to the extent prohibited by law, in which case such warranty or condition is limited to the duration of this written warranty.** This warranty gives you specific legal rights. You may have other legal rights that vary depending on where you live. Some states or provinces do not allow limitations on implied warranties or special, incidental, or consequential damages, so the foregoing limitations may not apply to you.

For faster service, locate the model, type, and serial numbers on your appliance.

For service assistance and product information, please call: 1-800-968-9853.

Curtis International Ltd.

7045 BECKETT DRIVE, UNIT 15, MISSISSAUGA, ON, L5S 2A3 www.curtisint.com

