

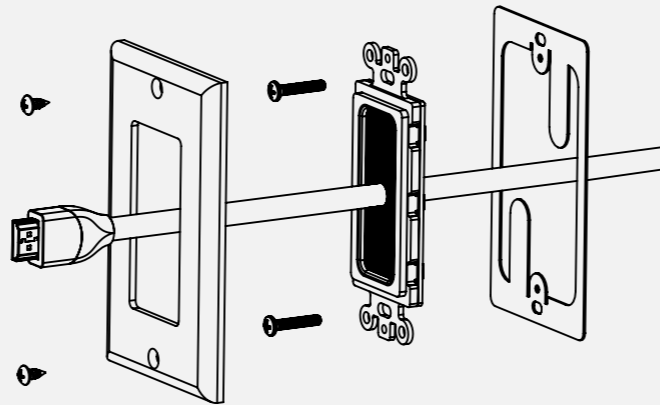
1-Gang Brush Wall Plate

DataComm Electronics' 1-Gang Brush Wall Plate is used to install low voltage cables behind your HDTV, amplifier or other audio video devices. 1-Gang Brush Wall Plate is designed to be installed into a low voltage mounting bracket (sold separately) that is installed into the wall.

Features

- Low profile design fits behind the industry's thinnest mounts and TV's
- Conceal multiple low voltage cables behind your flat panel TV
- Easily holds up to 6 cables
- Mounts flush with a décor style wall plate (included)
- Mounts to a standard low voltage mounting bracket

Installed onto low voltage mounting bracket
SOLD SEPARATELY



Part Number

Description

45-0018-WH

1-Gang Brush Wall Plate, White

45-0018-UWH

1-Gang Brush Wall Plate, Ultra White



DATA COMMTM
ELECTRONICS

Sales Orders@datacommelectronics.com

Support Info@datacommelectronics.com

Office 770.448.0540