

Recessed Low Voltage Media Plate

DataComm Electronics' patented Recessed Low Voltage Media Plate with Duplex Receptacle/Duplex Surge Suppressor offers the convenience of a duplex receptacle and a recessed plate with enough room to store low voltage cables behind your flat panel TV.

Features

- Low profile design fits behind the industry's thinnest mounts and TV's
- Conceal multiple AV cables behind your flat panel TV
- 15A/125V duplex receptacle - tamper resistant*
- Outlet box included
- Mounting wings are attached to the media plate and fasten tightly against the back of the drywall
- Quick and easy to install
- No additional parts necessary
- Available in 20A and surge models

Part # 45-0041-WH ADDITIONAL SURGE SUPPRESSOR FEATURES

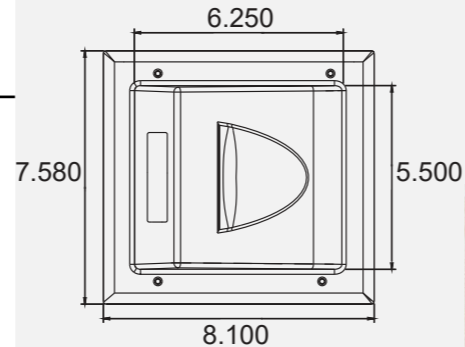
- 15A/125V duplex surge receptacle with replaceable Surge Bloc
- Maximum surge current - 12,000A
- Peak suppression voltage - 1,000V
- Hot/Neutral, Hot/Ground, Neutral/Ground
- Total maximum surge dissipation - 340J

Part # 45-0032-WH ADDITIONAL 20A FEATURES

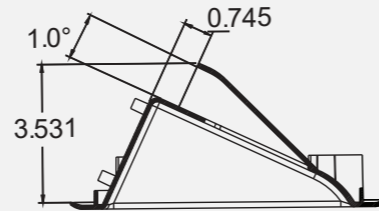
- 20A/125V Duplex Receptacle* 5-20R
- 2 Pole
- 3 Wire Grounding
- Push-In Rear Connection and Side Screw Terminals
- Tamper Resistant

RoHS Compliant.
This product is patent protected by
U.S. Patent numbers: D553475, D554475, and 7390964.

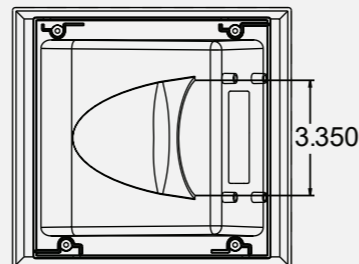
Front View



Top View



Back View



Part Number	Description
45-0031-WH	Recessed Low Voltage Media Plate w/Duplex Receptacle, White
45-0032-WH	Recessed Low Voltage Media Plate w/ 20 Amp Duplex Receptacle, White
45-0041-WH	Recessed Low Voltage Media Plate w/Duplex Surge Suppressor, White

(Parts #45-0032-WH and #45-0041-WH are not pictured in this sheet. The products are the same except for the type of receptacle installed; refer to the product features section (left) for receptacle specifications).



DATA COMM
ELECTRONICS

Sales Orders@datacommelectronics.com
Support Info@datacommelectronics.com
Office 770.448.0540