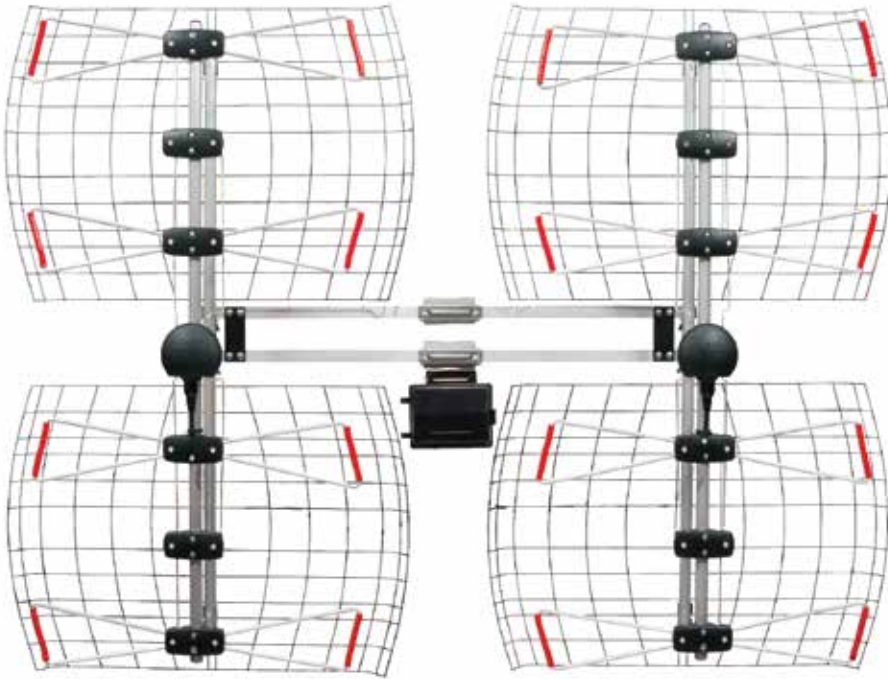


# EXTREME LONG RANGE INDOOR/OUTDOOR HDTV ANTENNA



## DB8E

The DB8E 8- Element Bowtie Antenna uses patented technology to receive TV signals 70+ miles away from broadcast towers.

This antenna is ideal for suburban and rural areas where heavy foliage or roofing materials can reduce the incoming signal.

Dedicated multi-directional elements deliver range and reception in less than ideal locations.

Durable, lightweight, premium materials for maximum performance.



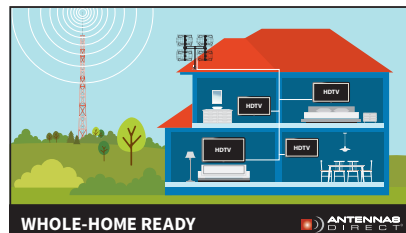
### A Leader in Cutting-Edge Antenna Technology

**Proven Performance and Reliability.** Why do our antennas outperform the competition? The proof is in the patented technology. The Bowtie series is engineered to respond to a greater range of frequencies along with a wide beam angle. In addition, the reflector focuses the antennas power for added range and also provides protection against multipath interference.

As perfectionists and antenna enthusiasts, we constantly strive for innovation, therefore, we have taken the world's most advanced TV antennas and made them EVEN better. This antenna is powerful, easy to install, and will save you money!

#### The DB8E Bowtie Antenna Comes With:

- DB8E Bowtie Antenna
- Reflectors to enhance signal performance
- All-Weather Mounting Hardware
- Assembly & Installation Instructions



**70+**  
MILES  
**Extreme Range**

**MODEL NUMBER**  
DB8-E

**RANGE**  
70+ Miles

**BEAM ANGLE**  
470 to 700MHz:  
16.3 Degrees  
(Horizontal Plane)  
Reception Pattern

**GAIN**  
UHF: 17.4 dBi

**ASSEMBLED**  
50" L x 37.5" W x 6" D

**WEIGHT**  
12 lbs

**COLOR**  
Silver

**WARRANTY**  
Lifetime on Parts



An outdoor antenna will service many TVs. If your residence ever had satellite or cable TV service, but you're smart and not paying for TV anymore, you're in luck! The coaxial cable needed to distribute an antenna's signal throughout the home is already installed. Just hook up your new DB8E HDTV antenna and you've got FREE TV.

### Cutting the Cord is Easy

