

Overview

Symptom: Symptoms may include the interface not turning on, the factory radio not turning on (AP4-CH41 only), no audio or intermittent audio on one or more channels.

Cause: Pins pulling out of the JST connector that plugs into the AP4 interface resulting in poor, or no connection of some circuits.

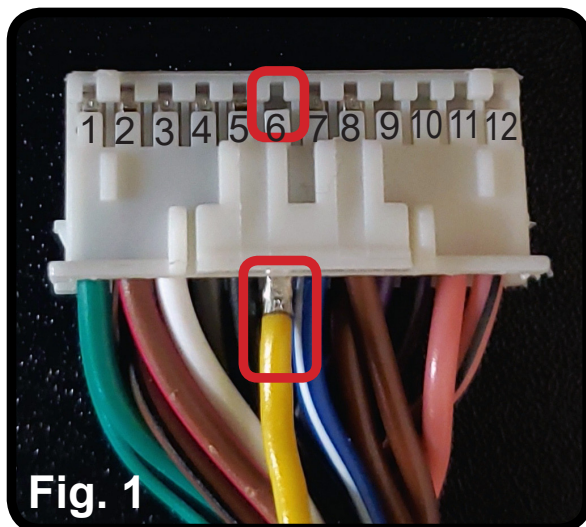
Solution: Locate pins that have pulled out of the connector and fully re-insert the pins into the harness.

If a pin has pulled completely out of the harness, see “AP4 Connector Diagrams” starting on page 2 for pinouts of each of the amp pro interfaces to find pin location information.

Inspect The Harness To Identify Pins That May Be Causing Issues

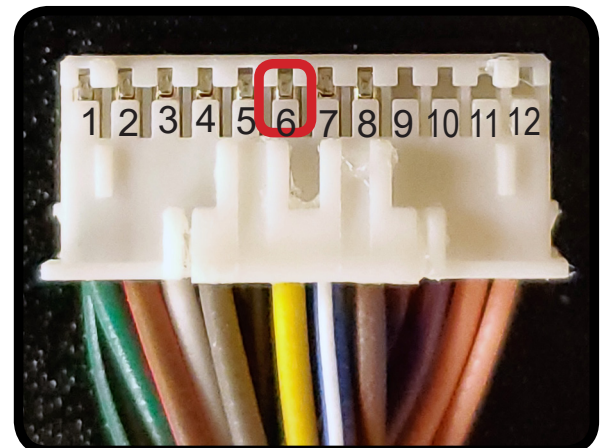
Visually inspect the AP4 harness at the JST connector that plugs into the AP4 interface. A loose pin may or may not be obviously visible. In the examples shown, a harness from the AP4-FD21 is being shown, but this applies to all of the AP4 interface harnesses.

- Check for pins in the open spaces of the AP4 interface connector. Each wire should have a corresponding visible pin in the open space above it. In Fig. 1, looking at the pin opening for the 6th pin position, it appears that there is no wire in that position. However, looking at the wire side of the connector for the 6th pin position (Fig. 2), the yellow wire is populated and it's pin should be visible. This indicates that the yellow wire is not fully seated into the connector.

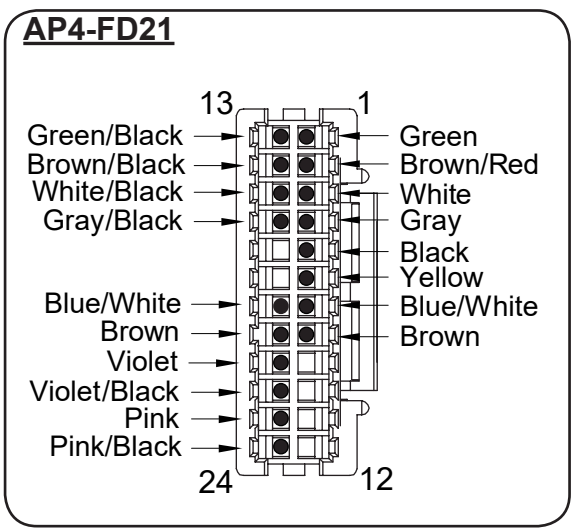
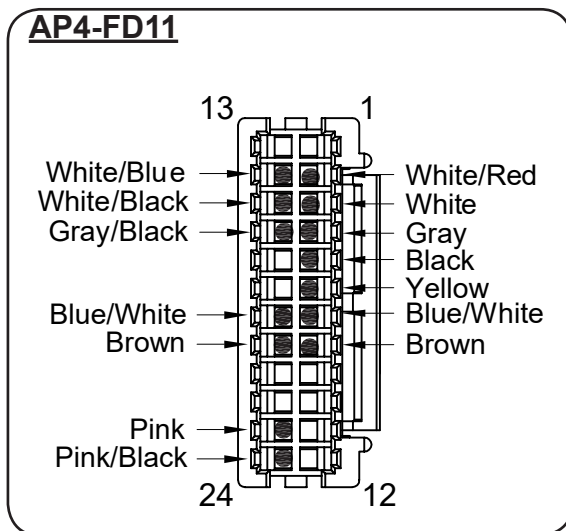
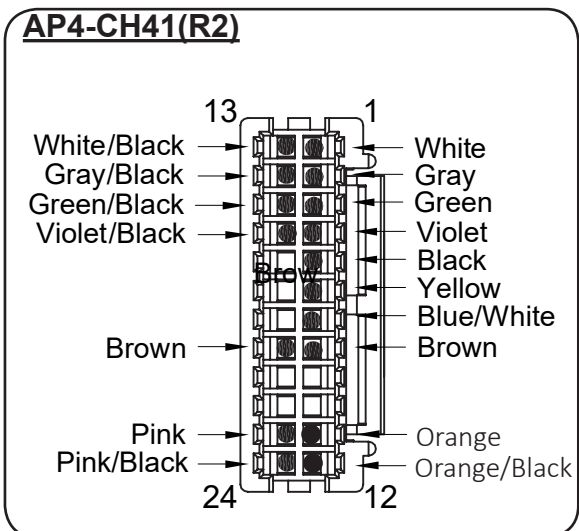
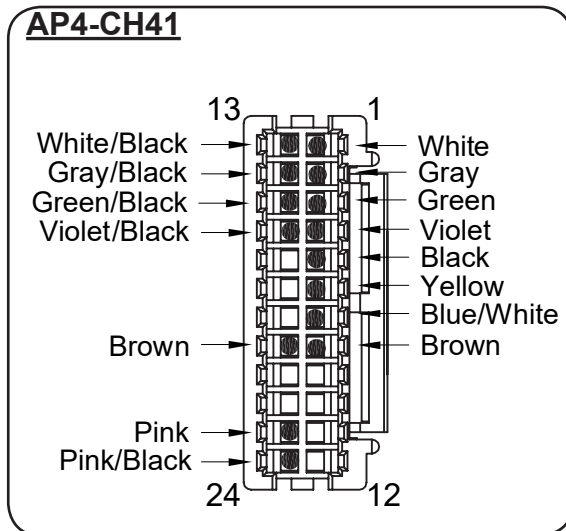
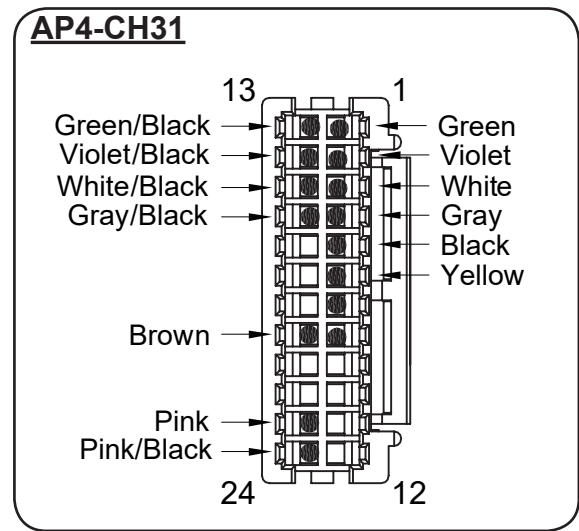
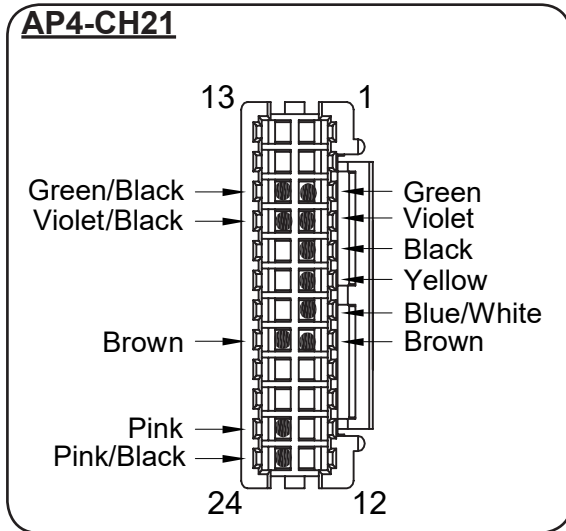


Solution

If a wire is found that is not fully seated into the connector, reinsert the wire by pushing it fully into the connector until the pin can be seen in the opening on the side of the connector. The pin should lock into place. Notice that the pin is now visible in the 6th pin position. If necessary, remove some of the tesa tape on the harness to reduce stress on the pins.

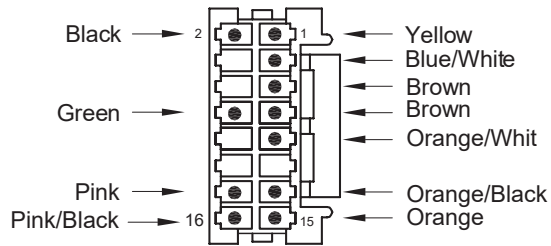


AP4 Connector Diagrams

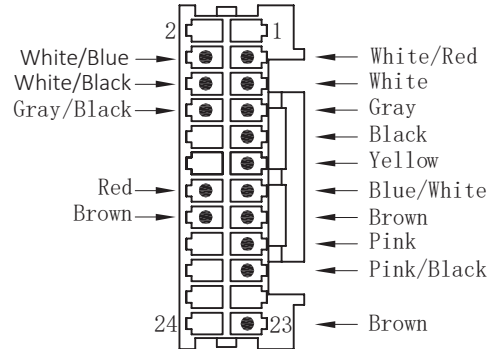


AP4 Connector Diagrams (cont.)

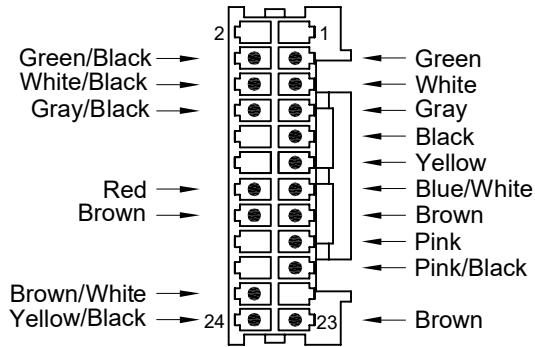
AP4-GM61



AP4-TY11



AP4-TY12



AP4-TY13

